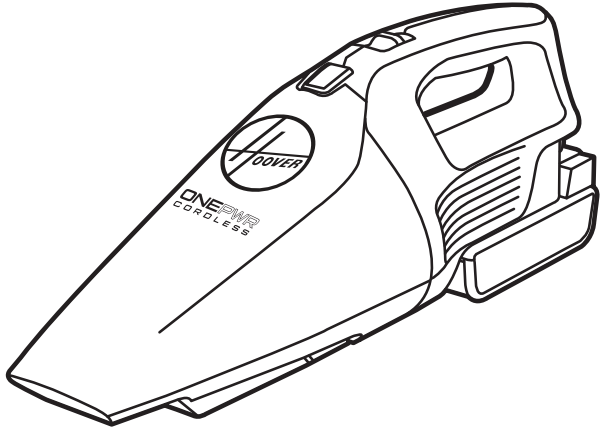




USER MANUAL
GUIDE DE L'UTILISATEUR
 MANUAL DEL USUARIO

HAND VACUUM
ASPIRATEUR À MAIN
 ASPIRADORA DE MANO



© 2019 TECHTRONIC FLOOR CARE TECHNOLOGY LIMITED. ALL RIGHTS RESERVED.
 CHARLOTTE, NC 28262
 800-406-2005

TABLE OF CONTENTS

Register your Product	1
Safety Instructions	2-4
Assembly	5
Operation	5
Maintenance	6
Accessories	7
Service Warranty	7
Figures	8-9

TABLE DES MATIÈRES

Enregistrez votre produit	10
Consignes de sécurité	11-13
Assemblage	14
Utilisation	14-15
Entretien	15
Accessories	16
Entretien et garantie	16
Figures	8-9

ÍNDICE

Registre su producto	17
Instrucciones de seguridad ..	18-20
Ensamblaje	21
Funcionamiento	21-22
Mantenimiento	22
Accessories	23
Garantía de servicio	23
Figuras	8-9



IMPORTANT:

READ CAREFULLY BEFORE
 ASSEMBLY AND USE.



IMPORTANTES:

LISEZ ATTENTIVEMENT LE PRÉSENT GUIDE
 D'UTILISATION AVANT D'ASSEMBLER
 ET D'UTILISER L'APPAREIL.



IMPORTANTES:

LEA CUIDADOSAMENTE ESTA INFOR-
 MACIÓN ANTES DE ENSAMBLAR Y USAR
 LA ASPIRADORA.



Welcome to the

**ONE
PWR
SYSTEM**

**Clean Further, Faster and Easier
with the Freedom of Cordless**



PROTECT YOUR PURCHASE

To register your product, go to the URL below and follow the steps until complete.

[HOOVER.COM/PRODUCT-REGISTRATION](https://www.hoover.com/product-registration)

IMPORTANT SAFETY INSTRUCTIONS

SAVE THESE INSTRUCTIONS

- When using an electrical appliance, basic precautions should always be followed, including the following:

READ ALL INSTRUCTIONS BEFORE USING THIS APPLIANCE

WARNING: TO REDUCE THE RISK OF FIRE, ELECTRIC SHOCK, DAMAGE OR INJURY:

- Fully assemble before operating.
- Do not use on wet surfaces. Do not expose to rain. Store indoors.
- Dress properly. Do not wear loose clothing or jewelry. Contain long hair. Keep your hair, loose clothing, fingers, and all parts of the body and clothing, away from openings and moving parts. Loose clothes, jewelry, or long hair can be caught in internal moving parts.
- Turn off all controls before removing battery pack from your product.
- Do not overreach. Keep proper footing and balance at all times. Proper footing and balance enables better control of the product in unexpected situations. Do not use on a ladder or unstable support.
- Use safety equipment. Dust mask must be used for appropriate conditions.
- Do not allow to be used as a toy. Not intended for use by children age 12 and under. Close supervision is necessary when used by or near children. To avoid injury or damage, keep children away from product, and do not allow children to place fingers or other objects into any openings.
- Use only as described in this manual. Use only manufacturer's recommended attachments and products.
- To reduce the risk of fire or explosion, do not leave the product running while unattended. Immediately stop the unit if it shows signs of abnormal operation such as loss of suction, liquid or debris in the exhaust, or any abnormal motor noises.
- Do not use charger with damaged cord or plug. If appliance or charger is not working as it should, has been dropped, damaged, left outdoors, or dropped into water, call customer service at 800-406-2005.
- Do not handle charger, including charger plug, and charger terminals with wet hands.
- Do not pull or carry charger by cord, use cord as a handle, close a door on cord, or pull cord around sharp edges or corners. Do not place product on cord. Do not run appliance over cord. Keep cord away from heated surfaces.
- Do not unplug charger by pulling on cord. To unplug charger, grasp the plug, not the cord.
- Use extra care when cleaning on stairs. To avoid personal

injury or damage, and to prevent the cleaner from falling, always place cleaner at bottom of stairs or on floor. Do not place cleaner on stairs or furniture, as it may result in injury or damage.

- Do not put any objects in ventilation openings. Do not use with any opening blocked. Keep openings free of dust, lint, hair, and anything that may reduce air flow.
- NEVER vacuum materials that are burning or smoking, such as hot coals, cigarette butts, matches, burning or smoking ashes, etc.
- DO NOT use to pick up flammable or combustible liquids such as gasoline, fine wood sanding, or use in areas where they may be present.
- Do not use without filter in place.
- Do not incinerate the charger, battery, or appliance even if it is severely damaged. The batteries can explode in a fire.
- The product does not have to be plugged into an electrical outlet, therefore it is always in operating condition. Be aware of possible hazards when using the product or when changing accessories.

⚠ WARNING! ⚠

RISK OF FIRE, PROPERTY DAMAGE, AND INJURY. NEVER EXPOSE YOUR BATTERY PACK, CHARGER, OR UNIT TO WATER, MOISTURE, OR FLUIDS, INCLUDING BUT NOT LIMITED TO CORROSIVE OR CONDUCTIVE FLUIDS, OR ALLOW FLUIDS TO FLOW INSIDE THESE ITEMS.

Corrosive or conductive fluids, such as salt water, chlorine, certain industrial chemicals, and bleach or bleach containing products, etc., can cause a short circuit in the battery pack. If your battery pack is exposed to a corrosive or conductive fluid, do not attempt to use or charge the battery pack and immediately perform the following steps:

- Wear appropriate personal protective equipment, including eye protection and rubber gloves.
- Place your exposed battery pack in a large bucket, such as a 5 gallon or similar bucket, and fill the bucket with regular tap water. Do not place more than two packs in the bucket.
- Locate the bucket outdoors in an area inaccessible to children and pets and away from all buildings, garages/sheds, structures, vehicles, and combustible/flammable materials.
- Leave the battery pack(s) in the bucket filled with tap water and call Customer Service at 1-800-406-2005 for additional instructions on the proper disposal of the exposed battery pack(s).

IMPORTANT SAFETY INSTRUCTIONS

SAVE THESE INSTRUCTIONS

- Remove battery when the vacuum is not in use and before servicing.
- Use battery only with charger listed. For use with Hoover ONEPWR Lithium Ion Batteries, see page 7 for battery and charger compatibility.
- Recharge only with the charger specified by the manufacturer. A charger that is suitable for one type of battery pack may create a risk of fire when used with another battery pack. Do not use charger outdoors.
- Use product only with specifically designated battery packs. Use of any other battery packs may create a risk of injury and fire.
- When battery pack is not in use, keep it away from other metal objects like: paper clips, coins, keys, nails, screws, or other small metal objects that can make a connection from one terminal to another. Shorting the battery terminals together may cause sparks, burns, or a fire.
- Always remove battery pack from your product when you are assembling parts before making any adjustments, changing accessories, storing product, cleaning, or when not in use. Removing battery pack will prevent accidental starting that could cause serious personal injury.
- Do not use a battery pack or product that is damaged or modified. Damaged or modified batteries may exhibit unpredictable behavior resulting in fire, explosion or risk of injury.
- Do not store or charge battery outdoors or on wet surfaces. Do not allow to get wet.
- Do not modify or attempt to repair the appliance or the battery pack except as indicated in the instructions for use and care.
- To reduce the risk of explosion and serious personal injury, never use or expose battery pack or any cordless product in the presence of an open flame or temperatures above 265°F. An exploded battery can propel debris and chemicals. If exposed, flush with water immediately.
- Prevent unintentional starting. Ensure the switch is in the off-position before connecting to power source and/or battery pack, picking up or carrying the product. Carrying battery products with your finger on the switch or energizing battery products that have the switch on invites accidents.
- Under abusive conditions, liquid may be ejected from the battery; avoid contact. If contact accidentally occurs, flush with water. If liquid contacts eyes, additionally seek medical help. Liquid ejected from the battery may cause irritation or burns.
- Do not charge battery in a damp or wet location. Do not use, store, or charge battery packs or products in locations where the temperature is less than 50°F or more than 100°F. Do not store outside or in vehicles.
- Follow all charging instructions and do not charge the battery pack or appliance outside of the temperature range specified in the instructions. Charging improperly or at temperatures outside of the specified range may damage the battery and increase the risk of fire.
- Check for misalignment or binding of moving parts, breakage of parts, and any other condition that may affect the product's operation. If damaged, call customer service prior to use. Many accidents are caused by poorly maintained products.
- Use only accessories that are recommended by the manufacturer for your model. Accessories that may be suitable for one product may create a risk of injury when used on another product.
- Put product away after use to prevent tripping accidents. Do not let gasoline, oils, petroleum-based products, etc., come in contact with plastic parts. They contain chemicals that can damage, weaken, or destroy plastic.
- This product is intended for Household use only. If used Commercially warranty is VOID.
- This product contains no serviceable parts.
- Save these instructions. Refer to them frequently and use them to instruct others who may use this product. If you loan someone this product, loan them these instructions also.

CAUTION - To reduce the risk of damage:

Avoid picking up hard, sharp objects with this product, as they may cause damage.

Store appropriately indoors in a dry place. Do not expose machine to freezing temperatures.

IMPORTANT SAFETY INSTRUCTIONS

SAVE THESE INSTRUCTIONS

BATTERY DISPOSAL WARNING:

RISK OF EXPLOSION OR EXPOSURE TO TOXIC MATERIAL.

LITHIUM-ION BATTERIES

The battery must be collected, recycled or disposed of in an environmentally sound manner. The EPA certified RBRC Battery Recycling Seal on the lithium-ion (Li-ion) battery indicated Techtronic Industries, a corporate affiliate of Hoover, Inc., is voluntarily participating in an industry program to collect and recycle these batteries at the end of their useful life, when taken out of service in the United States or Canada. The RBRC program provides a convenient alternative to placing used Li-ion batteries into the trash or the municipal waste stream, which may be illegal in your area. Please visit www.rbrc.org/call2recycle/ for information on Li-ion battery recycling and disposal bans/restrictions in your area. Hoover, Inc., involvement in this program is part of our commitment to preserving our environment and conserving our natural resources.



QUESTIONS OR CONCERNS?

Contact us:

Hoover.com/support or Hoover.ca/support
800-406-2005

Connect with us:

Twitter: @HooverUSA

Facebook: [facebook.com/hoover](https://www.facebook.com/hoover)

Do not return to store. See behind the battery dock on the product for model number.

ASSEMBLY

⚠️ WARNING! ⚠️

Do not use this product if it is not completely assembled or if any parts appear to be missing or damaged. Use of a product with damaged or missing parts could result in serious personal injury.

⚠️ WARNING! ⚠️

Do not attempt to modify this product or create accessories or attachments not recommended for use with this product. Any such alteration or modification is misuse and could result in a hazardous condition leading to possible serious personal injury.

If any parts are damaged or missing, please call 800-406-2005 for assistance.

OPERATION

⚠️ WARNING! ⚠️

Do not allow familiarity with this product to make you careless. Remember that a careless fraction of a second is sufficient to inflict serious injury.

⚠️ WARNING! ⚠️

To avoid serious personal injury, always remove the battery pack from the product when cleaning or performing any maintenance.

⚠️ WARNING! ⚠️

Do not use any attachments or accessories not recommended by the manufacturer of this product. The use of attachments or accessories not recommended can result in serious personal injury.

Applications

You may use this product for the following purpose:

- Light-duty vacuuming of dry surfaces

Installing/Removing the Battery Pack

See Figure 3, page 8

- Insert the battery pack into the battery port.
- Make sure the latches on each side of the battery pack snap into place and that the battery pack is secured in the hand vac before beginning operation.
- Locate the latches on the side of the battery pack and depress both sides to release the battery pack from the hand vac.

Charging Battery Pack

See Figure 2, page 8

- Charge the battery fully before first use. This will take up to 3 hours. Due to federal regulations, the battery does not come fully charged.
- Plug the charger into a power outlet.
- Attach the battery pack to the charger by aligning the ribs on the battery pack to the grooves in the charger. Slide the battery pack into the charger.
- When charging, the lights on the battery will illuminate

to show the state of charge. The light on the charger will flash.

- If the light on the charger flashes red, there is an error with the battery or the charger. Try again or call customer service for support.
- When charge is complete the lights on the battery will turn off and the light on the charger will be solid.
- To remove the battery pack from the charger, press the latches and pull up on the battery pack.

Starting/Stopping the Vacuum

See Figure 3, page 8

- To start the vacuum: slide the ON/OFF switch toward the front of the vacuum.
- To stop the vacuum: slide the ON/OFF switch toward the back of the vacuum.

Crevice Tool

See Figures 4 & 5, page 9

- The crevice tool is stored on the underside of the dirt cup.
- To detach the crevice tool, pull it forward and remove it from the dirt cup.
- Turn off the vacuum.
- Remove the battery pack.
- Insert the attachment into the front end of the vacuum dirt cup, making sure the attachment is firmly pushed into place.

Removing/Reattaching the Dirt Cup

See Figures 6 & 7, page 9

- The dirt cup should be checked, emptied, and cleaned periodically for maximum dust collection.

To remove:

- Remove the battery pack.
- Depress the release button located on top of the hand vac. Pull the dirt cup down and out.

To reattach:

- Position the two sections as shown. Align the slot on the bottom of dust bowl with the tab on the bottom of motor housing, then snap the two sections together.

General Maintenance

Avoid using solvents when cleaning plastic parts. Most plastics are susceptible to damage from various types of commercial solvents and can be damaged by their use. Use clean cloths to remove dirt, dust, oil, grease, etc.

This product contains no serviceable parts.

If appliance is not working as it should, has been dropped, damaged, left outdoors or dropped in water, contact customer service at 800-406-2005.

WARNING!

Do not at any time let brake fluids, gasoline, petroleum-based products, penetrating oils, etc., come in contact with plastic parts. Chemicals can damage, weaken or destroy plastic which could result in serious personal injury.

WARNING!

To avoid serious personal injury, always remove the battery pack from the product when cleaning or performing any maintenance.

Cleaning/Replacing the Filter

See Figure 8, page 9

- Remove the battery pack and the dirt cup.
- Remove the filter by pressing the tabs inward and lifting the filter out of the screen assembly.
- Shake or lightly brush any dust or dirt off the filter. Replace as necessary.
- Remove the screen assembly from the dirt cup.
- Shake of lightly brush any dust off the screen and screen assembly. Wash if necessary.
- Empty the dirt cup; wash if necessary. Before reattaching to the hand vac, make sure all pieces are completely dry.

ACCESSORIES

Look for these accessories on Hoover.com or Hoover.ca or call 800-406-2005.

Every ONEPWR battery works with every ONEPWR product.		Parts and Accessories:	
Battery:	Model #	Charger	BH05000
2.0 Ah	BH15020		
3.0 Ah	BH15030		
4.0Ah MAX	BH25040		

SERVICE AND WARRANTY

SERVICE INFORMATION & LIMITED WARRANTY FOR HOOVER® ONEPWR PRODUCTS

If you require warranty assistance or have questions about your Hoover ONEPWR product, contact Hoover Customer Service. For service in the U.S. or Canada, dial 800-406-2005.

Costs of any shipping and/or transportation to and from any place of repair are to be paid by the owner. Identify your product by the model number and manufacturing code when requesting information or ordering replacement parts. (The model number and manufacturing code for the product appears on the top of the lid and on the back of the charger). **LIMITED THREE YEAR WARRANTY (DOMESTIC USE)**

WHAT THIS LIMITED WARRANTY COVERS: This limited warranty provided by Royal Appliance Mfg. Co., doing business as TTI Floor Care North America (referred to hereafter as "Hoover") applies only to products purchased in the U.S. (including its territories and possessions), a U.S. Military Exchange, or Canada. When used and maintained in normal household use and in accordance with the Owner's Guide, your Hoover® product and battery are warranted against original defects in material and workmanship for three years from the date of original purchase (the "Warranty Period"). If Hoover determines that the issue you are experiencing is covered under the terms of the product warranty (a "covered warranty claim"), we will, at our sole discretion and free of charge (subject to the cost of shipping), either repair your product or ship you a replacement product, subject to availability. Parts and replacements may be new, refurbished, lightly used, or remanufactured, in Hoover's sole discretion. If parts and replacements are unavailable, we may, at our discretion, provide a similar product of equal or greater value, a store credit (if applicable), or a refund of the actual purchase price at the time of the original purchase, as reflected on the original sales receipt.

WHO THIS LIMITED WARRANTY COVERS: This limited warranty extends only to the original retail purchaser, with original proof of purchase from Hoover or an authorized dealer of Hoover products, in the U.S., U.S. Military Exchanges, and Canada.

HOW TO MAKE A WARRANTY CLAIM: If this product is not as warranted, contact Hoover Customer Service. Please have available the proof of purchase and model number for the warranted product.

WHAT THIS LIMITED WARRANTY DOES NOT COVER: This warranty does not cover use of the product in a commercial operation (such as maid, janitorial, and equipment rental services, or any other income-generating activity); improper maintenance of the product; the product if it has been subject to misuse, negligence, neglect, vandalism, or the use of voltages other than that on the data plate of this product. This warranty does not cover damage resulting from an act of God, accident, owner's acts or omissions, service of this product by other than Hoover or a Hoover authorized service provider (if applicable), or other acts beyond the control of Hoover. This warranty also does not cover use outside the country in which the product was initially purchased, or resale of the product by the original owner. Pick-up, delivery, transportation, and house calls are not covered by this warranty. In addition, this warranty does not cover any product that has been altered or modified; repairs made necessary by normal wear; or the use of parts or accessories which are either incompatible with the Hoover product or adversely affect its operation, performance, or durability. Normal wear items that are not covered under this warranty include, but are not limited to, belts, filters, brush rolls, blower fans, blower and vacuum tubes, and vacuum bags and straps.

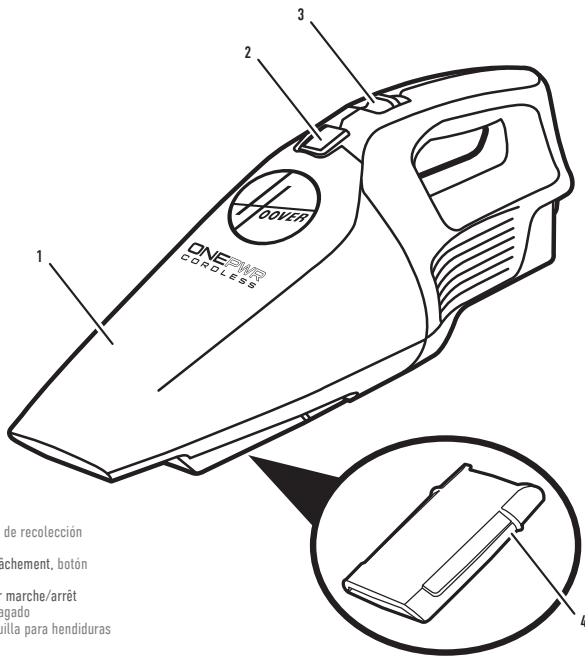
Please call Hoover Customer Service at 800-406-2005, for information on how to ship this product. This warranty does not apply to products purchased outside the United States, a U.S. Military Exchange, or Canada.

OTHER IMPORTANT TERMS: This warranty is not transferable and may not be assigned; any assignment made in contravention of this prohibition is void. This warranty shall be governed and construed under the laws of the state of North Carolina. The Warranty Period will not be extended by any replacement of batteries or parts or repair performed under this warranty.

THIS WARRANTY IS THE EXCLUSIVE WARRANTY AND REMEDY, AND ALL EXPRESS AND IMPLIED WARRANTIES OTHER THAN THE LIMITED WARRANTY SET FORTH ABOVE, INCLUDING IMPLIED WARRANTIES OF MERCHANTABILITY AND FITNESS FOR A PARTICULAR PURPOSE, ARE EXPRESSLY DISCLAIMED. IN NO EVENT WILL HOOVER BE LIABLE FOR ANY SPECIAL, INDIRECT, INCIDENTAL OR CONSEQUENTIAL DAMAGES OF ANY KIND OR NATURE TO OWNER OR ANY PARTY CLAIMING THROUGH OWNER, WHETHER BASED IN CONTRACT, NEGLIGENCE, TORT, OR STRICT PRODUCTS LIABILITY OR ARISING FROM ANY CAUSE WHATSOEVER. TO THE EXTENT PERMITTED BY APPLICABLE LAW, NO WARRANTIES THAT ARISE BY OPERATION OF LAW, IF APPLICABLE, SHALL EXCEED THE DURATION OF THE LIMITED WARRANTY PROVIDED HEREIN. HOOVER'S LIABILITY FOR DAMAGES TO YOU FOR ANY COSTS WHATSOEVER ARISING OUT OF THIS STATEMENT OF LIMITED WARRANTY SHALL BE LIMITED TO THE AMOUNT PAID FOR THIS PRODUCT AT THE TIME OF ORIGINAL PURCHASE AND HOOVER SHALL NOT BE LIABLE FOR ANY DIRECT, INDIRECT, CONSEQUENTIAL, OR INCIDENTAL DAMAGES ARISING OUT OF THE USE OR INABILITY TO USE THIS PRODUCT.

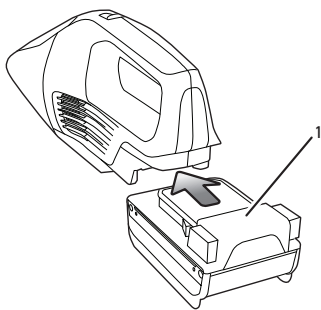
Some states do not allow the exclusion or limitation of incidental or consequential damages, disclaimers of implied warranties, or limitations on the duration of implied warranties, so the above exclusions, disclaimers, and/or limitations may not apply to you.

This warranty gives you specific legal rights, and you may also have other rights, which vary from state to state.



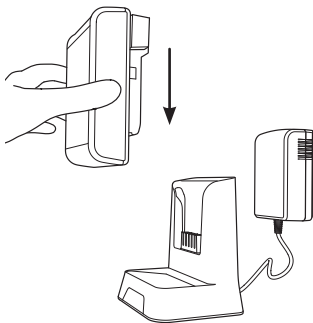
- 1. Dirt cup, vide-poussière, copa de recolección de residuos
- 2. Release button, bouton de relâchement, botón de afloje
- 3. ON/OFF switch, commutateur marche/arrêt, interruptor de encendido/apagado
- 4. Crevice tool, suceur plat, boquilla para hendiduras

FIG. 1



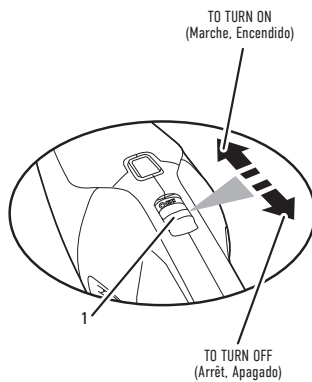
- 1 - Battery pack, bloc-pile, paquete de batería

FIG. 2

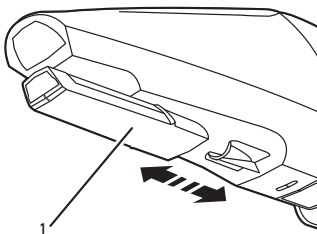


- 1. ONEPWR Battery insertion, Insertion de la pile OnePWR, Inserción de la batería OnePWR

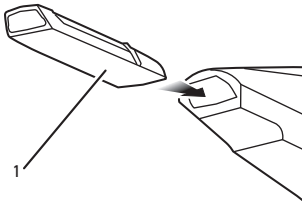
FIG. 3



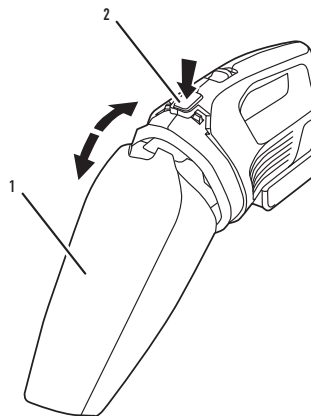
- 1. ON/OFF switch, commutateur marche/arrêt, interruptor de encendido/apagado

FIG. 4

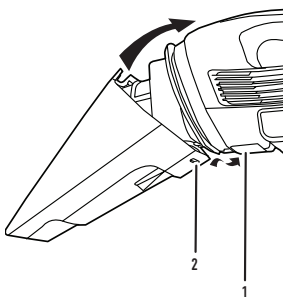
1. Crevice tool, suceur plat, boquilla para

FIG. 5

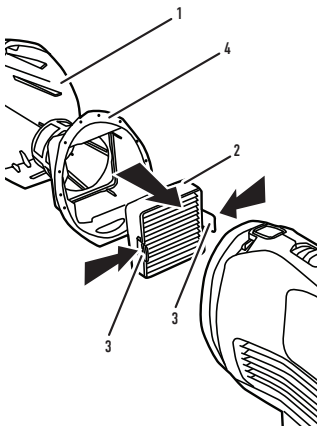
1. Crevice tool, suceur plat, boquilla para

FIG. 6

1. Dirt cup, vide-poussière, copa de recolección de residuos
2. Release button, bouton de relâchement, botón de afloje

FIG. 7

1. Tab, ergot, orejeta
2. Slot, fente, ranura

FIG. 8

1. Dirt cup, vide-poussière, copa de recolección de residuos
2. Filter, filtre, filtro
3. Tabs, ergots, orejetas
4. Screen assembly, module de la grille, conjunto de la pantalla

Bienvenue chez

ONE PWR SYSTEM

Nettoyez plus en profondeur, plus rapidement et plus facilement grâce à la liberté d'un appareil sans fil



PROTÉGER VOTRE ACHAT

Pour enregistrer le produit, accéder à l'adresse URL ci-dessous et suivre les étapes jusqu'à la fin.

[HOOVER.CA/PRODUCT-REGISTRATION](https://www.hoover.ca/product-registration)

CONSIGNES DE SÉCURITÉ IMPORTANTES

CONSERVEZ CES INSTRUCTIONS

- Lorsque vous utilisez des appareils électriques, veuillez toujours respecter entre autres les consignes de sécurité élémentaires suivantes :

VEUILLEZ LIRE TOUTES LES INSTRUCTIONS AVANT D'UTILISER CET APPAREIL

AVERTISSEMENT: POUR RÉDUIRE LES RISQUES D'INCENDIE, D'ÉLECTROCUTION, DE DOMMAGES ET DE BLESSURES

- Assemblez entièrement l'appareil avant de l'utiliser.
- N'utilisez pas l'appareil sur des surfaces humides. N'exposez pas l'appareil à la pluie. Rangez l'appareil à l'intérieur.
- S'habiller convenablement. Éviter de porter des vêtements amples ou des bijoux. Attacher les cheveux longs. Garder les cheveux, les vêtements amples, les doigts ou toute autre partie du corps ou tout autre vêtement à bonne distance des ouvertures et des pièces mobiles. Les vêtements amples, les bijoux et les cheveux longs peuvent rester coincés dans les pièces mobiles internes.
- Éteindre toutes les commandes avant de retirer le bloc-piles du produit.
- Ne pas travailler hors de portée. Garder les deux pieds stables et rester en équilibre en tout temps. Une position stable et un bon équilibre assurent une meilleure maîtrise du produit dans les situations inattendues. Ne pas utiliser d'échelle ou de support instable.
- Utiliser le matériel de sécurité. Un masque antipoussières doit être utilisé dans les conditions appropriées.
- Ne permettez pas aux enfants de jouer avec l'appareil. Cet appareil ne doit pas être utilisé par des enfants de moins de 12 ans. Exercer une étroite surveillance lorsque l'appareil est utilisé par des enfants ou à proximité d'enfants. Gardez l'appareil hors de la portée des enfants et ne laissez pas ces derniers introduire leurs doigts ou d'autres objets dans aucune ouverture afin d'éviter les blessures ou les bris.
- Utilisez l'appareil uniquement aux fins décrites dans le présent guide. Utilisez uniquement les accessoires et produits recommandés par le fabricant.
- Pour réduire les risques d'incendie ou d'explosion, ne pas laisser le produit fonctionner sans surveillance. Éteindre immédiatement l'appareil si l présente des signes de fonctionnement anormal, notamment une perte d'aspiration, la présence de liquide ou de débris dans le tuyau d'échappement ou tout autre bruit anormal provenant du moteur.
- N'utilisez pas le chargeur si la fiche ou le cordon est endommagé. Si l'appareil ou le chargeur ne fonctionne pas comme il le devrait, est tombé, est endommagé, a été laissé à l'extérieur ou a pris l'eau, communiquer avec le service à la clientèle au 800-406-2005.
- Ne pas manipuler le chargeur, y compris la fiche et les bornes, avec les mains mouillées.
- Ne tirez pas ni ne transportez le chargeur par le cordon, n'utilisez pas le cordon comme une poignée, ne coincez pas le cordon dans l'embrasure d'une porte et ne l'appuyez pas contre des arêtes tranchantes ou des coins. Ne placez pas l'appareil sur le cordon. Ne faites pas rouler l'appareil sur le cordon. Tenez le cordon éloigné des surfaces chaudes.
- Ne débranchez pas le chargeur en tirant sur le cordon. Pour débrancher

le chargeur, tirez sur la fiche.

- Redoublez de prudence lorsque vous utilisez l'appareil dans un escalier. Pour éviter tout dommage ou blessure et empêcher l'appareil de tomber, placez toujours ce dernier au bas des escaliers, sur le plancher. Ne placez pas l'appareil sur les marches d'un escalier ou sur un meuble, car cela peut entraîner des dommages ou des blessures.
- Ne pas introduire d'objets dans les ouvertures d'aération. N'utilisez pas l'appareil si les ouvertures sont obstruées. Retirer des ouvertures la poussière, les peluches, les cheveux ou tout ce qui est susceptible de réduire le débit d'air.
- NE JAMAIS aspirer de matières qui brûlent ou qui dégagent de la fumée, comme des charbons chauds, des mégots de cigarette, des allumettes, des cendres qui brûlent ou dégagent de la fumée, etc.
- N'aspirez PAS de liquides inflammables ou combustibles, comme de l'essence, de la sciure de bois et n'utilisez pas l'appareil à proximité de ces substances.
- N'utilisez pas l'appareil si le filtre n'est pas en place.
- N'incinerez pas le chargeur, la pile ou l'appareil mêmes s'ils sont gravement endommagés. La pile peut exploser au feu.
- Il n'est pas nécessaire de brancher l'appareil dans une prise électrique; il est donc toujours en état de fonctionnement. Être conscient des dangers possibles lors de l'utilisation de l'appareil ou du remplacement des accessoires.

⚠ AVERTISSEMENT! ⚠

RISQUE D'INCENDIE, DE DOMMAGES MATÉRIELS ET DE BLESSURES. NE JAMAIS EXPOSER VOTRE BLOC-PILES, VOTRE CHARGEUR OU VOTRE APPAREIL À DE L'EAU, DE L'HUMIDITÉ OU DES LIQUIDES, Y COMPRIS, SANS S'Y LIMITER, LES LIQUIDES CORROSIFS OU CONDUCTEURS. NI LAISSER LES LIQUIDES S'INFILTRER DANS CES ARTICLES.

Les liquides corrosifs ou conducteurs, comme l'eau salée, le chlore, certains produits chimiques industriels, les agents de blanchiment, les produits contenant des agents de blanchiment, etc., peuvent causer un court-circuit dans le bloc-piles. Si le bloc-piles est exposé à un liquide corrosif ou conducteur, ne pas tenter de l'utiliser ou de le charger. Effectuer immédiatement les étapes ci-dessous :

- Porter le matériel de protection individuelle approprié, dont des lunettes de protection et des gants en caoutchouc.
- Placer le bloc-piles exposé dans un grand seau, comme un seau de 5 gallons ou d'une capacité similaire, et le remplir d'eau du robinet. Éviter de placer plus de deux blocs dans le seau.
- Placer le seau à l'extérieur dans un endroit hors de la portée des enfants et des animaux, loin des bâtiments, des garages, des remises, des structures, des véhicules et des matériaux combustibles ou inflammables.
- Laisser le ou les blocs-piles dans le seau rempli d'eau du robinet et communiquer avec le service à la clientèle au 1 888 768-2014 pour obtenir des directives supplémentaires sur l'élimination adéquate du ou des blocs-piles exposés(s).

CONSIGNES DE SÉCURITÉ IMPORTANTES

CONSERVEZ CES INSTRUCTIONS

- Retirer la pile lorsque l'aspirateur n'est pas utilisé et l'appareil avant d'en effectuer l'entretien.
- Utiliser la pile avec le chargeur indiqué uniquement. Utiliser avec des piles au lithium-ion ONEPWR Hoover; voir la page 16 pour connaître la compatibilité entre les piles et les chargeurs.
- Recharger la pile à l'aide du chargeur précisé par le fabricant uniquement. Le chargeur adéquat pour un type de bloc-piles présente un risque d'incendie s'il est utilisé avec un bloc-piles différent. Ne pas utiliser le chargeur à l'extérieur.
- Utiliser l'appareil uniquement avec les blocs-piles spécialement désignés à cet effet. L'utilisation de tout autre bloc-piles présente un risque de blessure et d'incendie.
- Lorsque le bloc-piles n'est pas utilisé, le tenir à l'écart d'autres objets métalliques tels que : trombones, pièces de monnaie, clés, clous, vis ou autres petits objets métalliques qui peuvent établir une connexion entre les deux bornes. Court-circuiter les bornes de la pile ensemble présente des risques d'étincelles, de brûlures ou d'incendie.
- Toujours retirer le bloc-piles de l'appareil avant d'assembler des pièces, d'effectuer des réglages, de changer d'accessoires ou d'entreposer ou de nettoyer le produit ou lorsqu'il n'est pas utilisé. Le retrait du bloc-piles permet de prévenir les démarrages accidentels qui pourraient causer des blessures graves.
- Ne pas utiliser un bloc-piles ou un appareil qui est endommagé ou qui a été modifié. Le fonctionnement des batteries endommagées ou modifiées peut être imprévisible et présenter des risques d'incendie, d'explosion ou de blessures.
- Évitez de ranger ou de recharger la batterie à l'extérieur ou sur des surfaces mouillées. N'exposez pas l'appareil à l'eau ou à l'humidité.
- Ne modifiez ni l'appareil ni le bloc-piles et ne tentez pas de les réparer, sauf dans la mesure indiquée dans les présentes instructions quant à leur utilisation et à l'entretien requis.
- Pour réduire les risques d'explosion et de blessures graves, ne jamais utiliser le bloc-piles ou n'importe quel appareil sans fil en présence d'une flamme nue ou de températures supérieures à 129 °C (265 °F) ni exposer ces produits à de tels éléments. Une pile qui explose peut propulser des débris et des produits chimiques. En cas d'exposition à ces éléments, rincer à l'eau immédiatement.
- Prévenez les mises en marche non intentionnelles. S'assurer que l'interrupteur est en position d'arrêt avant de connecter l'appareil à la source d'alimentation ou au bloc-piles ou de ramasser ou de transporter l'appareil. Transporter des appareils à pile en gardant les doigts près de l'interrupteur ou mettre sous tension des appareils à pile pendant que l'interrupteur est en position de marche sont deux situations qui présentent des risques d'accident.
- Dans des conditions extrêmes, un liquide pourrait être expulsé de la batterie. En cas de contact accidentel, rincez les régions touchées avec de l'eau. En cas de contact avec les yeux, rincez-les avec de l'eau et demandez une assistance médicale. Le liquide expulsé de la batterie peut être une source d'irritation ou de brûlures.
- Ne pas charger la pile dans un endroit humide ou mouillé. Ne pas utiliser, entreposer ou recharger le bloc-piles ou l'appareil dans des endroits où la température est inférieure à 10 °C (50 °F) ou supérieure à 38 °C (100 °F). Ne pas entreposer à l'extérieur ou dans un véhicule.
- Éviter de ranger ou de charger la pile à l'extérieur ou sur des surfaces les surfaces. N'exposez pas l'appareil à l'eau ou à l'humidité.
- Suivez toutes les instructions portant sur la recharge. Ne rechargez pas le bloc-piles ni l'appareil à des températures autres que celles indiquées dans ces instructions. Toute recharge inappropriée ou à des températures hors de la plage indiquée présente des risques d'endommager la pile en plus d'augmenter les risques d'incendie.
- Vérifier les signes de désaxage ou de coinçage des pièces mobiles, de bris des pièces ou de toute autre condition qui pourrait nuire au fonctionnement du produit. Si l'appareil est endommagé, communiquer avec le service à la clientèle avant de l'utiliser. De nombreux accidents sont causés par des produits mal entretenus.
- Utiliser uniquement les accessoires qui sont recommandés par le fabricant pour le modèle en question. Les accessoires qui peuvent convenir à un produit pourraient présenter un risque de blessures s'ils sont utilisés sur un autre produit.
- Éloignez cet appareil dès la fin de son utilisation pour éviter les trébuchements.
- Éviter tout contact entre l'essence, l'huile, les produits à base de pétrole, etc. et les pièces de plastique. Ils contiennent des produits chimiques qui peuvent endommager, affaiblir ou détruire le plastique.
- Ce produit est destiné à un usage domestique seulement. La garantie est NULLE si l'appareil est utilisé à des fins commerciales.
- Ce produit ne contient pas de pièces réparables.
- Conserver ces instructions. Les consulter fréquemment et les utiliser pour enseigner le fonctionnement de l'appareil aux autres personnes susceptibles de l'utiliser. Ce produit doit être prêt avec ces instructions.

MISE EN GARDE - Pour réduire les risques de dommage :

Évitez d'utiliser l'appareil pour ramasser des objets durs ou aux arêtes tranchantes, car ils pourraient endommager l'appareil.

Rangez l'appareil adéquatement à l'intérieur et dans un endroit sec. N'exposez pas l'appareil à des conditions de gel.

CONSIGNES DE SÉCURITÉ IMPORTANTES CONSERVEZ CES INSTRUCTIONS

AVERTISSEMENT CONCERNANT L'ÉLIMINATION DE LA PILE: RISQUE D'EXPLOSION OU D'EXPOSITION AUX MATIÈRES TOXIQUES.

BATTERIE AU LITHIUM-ION

La pile doit être recueillie, recyclée ou éliminée dans le respect de l'environnement. Le sceau de recyclage des batteries au lithium-ion de la RBRC certifié par l'EPA indique que Techtronic Industries, société affiliée à Hoover, Inc., participe volontairement à un programme de collecte et de recyclage des batteries usagées au Canada et aux États-Unis. Le programme de recyclage de la RBRC offre une solution de rechange pratique qui permet d'éviter que les piles soient jetées à la poubelle ou dans les ordures ménagères municipales, ce qui pourrait être illégal dans votre région. Visitez le www.rbrc.org/call2recycle/ pour obtenir de plus amples renseignements sur le recyclage des piles au lithium-ion ainsi que sur les interdictions et les restrictions relatives à l'élimination de ces piles dans votre région. La participation de Hoover, Inc. à ce programme témoigne de son engagement à protéger l'environnement et les ressources naturelles.



DES QUESTIONS OU DES PRÉOCCUPATIONS?

Communiquez avec nous :
Hoover.com/support ou Hoover.ca/support
800-406-2005

Suivez-nous :
Twitter: [@HooverUSA](https://twitter.com/HooverUSA)
Facebook: facebook.com/hoover

Ne retournez pas le produit en magasin. Le numéro de modèle se trouve sur le dessus du couvercle.

⚠ AVERTISSEMENT! ⚠

Ne pas utiliser ce produit s'il n'est pas entièrement assemblé ou si des pièces semblent être manquantes ou endommagées. L'utilisation d'un produit qui comporte des pièces endommagées ou manquantes pourrait entraîner des blessures graves.

⚠ AVERTISSEMENT! ⚠

Ne pas tenter de modifier ce produit ou de créer des accessoires ou des pièces qui ne sont pas recommandés pour être utilisés avec ce produit. Une telle modification est une utilisation inappropriée et pourrait engendrer une situation dangereuse pouvant entraîner des blessures graves.

Si des pièces sont endommagées ou manquantes, veuillez composer le 800-406-2005 pour obtenir de l'aide.

UTILISATION

⚠ AVERTISSEMENT! ⚠

Ne soyez pas imprudent parce que vous connaissez ce produit. Il ne faut pas oublier qu'une fraction de seconde de négligence est suffisante pour infliger des blessures graves.

⚠ AVERTISSEMENT! ⚠

Pour éviter les blessures graves, toujours retirer le bloc-piles du produit avant de procéder au nettoyage ou à l'entretien.

⚠ AVERTISSEMENT! ⚠

Ne pas utiliser des accessoires ou des pièces qui ne sont pas recommandés par le fabricant de ce produit. L'utilisation d'accessoires ou de pièces qui ne sont pas recommandées peut entraîner des blessures graves.

Applications

• Vous pouvez utiliser ce produit pour les applications suivantes :

- Nettoyage léger de surfaces sèches.

Installation / retrait du bloc-piles

Voir la figure 1, à la page 8

- Insérer le bloc-piles dans le porte-piles.
- S'assurer que les loquets de chaque côté du bloc-piles s'enclenchent en place et que le bloc-piles est bien fixé dans l'aspirateur portatif avant de commencer à l'utiliser.
- Repérer les loquets sur le côté du bloc-piles et appuyer sur les deux côtés pour dégager le bloc-piles de l'aspirateur portatif.

Charger le bloc-piles

Voir la figure 2, à la page 8

- Effectuez une charge complète de la pile avant la première utilisation. La durée de charge est d'environ 3 heures. En raison des règlements fédéraux, la pile n'est pas complètement chargée au moment de l'achat.
- Brancher le chargeur dans une prise électrique.
- Fixer le bloc-piles au chargeur en alignant les rainures

en saillie sur le bloc-piles avec les rainures du chargeur. Faire glisser le bloc-piles dans le chargeur.

- Pendant la charge, les voyants de la pile s'allument pour indiquer l'état de la charge. Le voyant du chargeur clignote.
- Si le voyant du chargeur clignote en rouge, une erreur s'est produite avec la pile ou le chargeur. Réessayer ou communiquer avec le service à la clientèle pour obtenir de l'aide.
- Lorsque la charge est pleine, les voyants de la pile s'éteignent et le voyant du chargeur reste allumé.
- Pour retirer le bloc-piles du chargeur, appuyer sur les loquets et tirer sur le bloc-piles vers le haut.

Mise en marche / arrêt de l'aspirateur

Voir la figure 3, à la page 8

- Pour mettre l'aspirateur en marche : faire glisser l'interrupteur MARCHE / ARRÊT vers l'avant de l'aspirateur.
- Pour éteindre l'aspirateur : faire glisser l'interrupteur MARCHE / ARRÊT vers l'arrière de l'aspirateur.

Suceur plat

Voir les figures 4 et 5, à la page 9

- Le suceur plat est rangé sur le dessous du vide-poussière.
- Pour détacher le suceur plat, le tirer vers l'avant et le retirer du vide-poussière.
- Éteindre l'aspirateur.
- Retirer le bloc-piles.
- Insérer l'accessoire dans l'extrémité avant du vide-poussière de l'aspirateur, en s'assurant que l'accessoire est bien inséré en place.

Détacher / remettre en place le vide-poussière.

Voir les figures 6 et 7, à la page 9

- Le vide-poussière doit être vérifié, vidé et nettoyé régulièrement pour une collecte de la saleté optimale.

Pour le retirer :

- Retirer le bloc-piles.
- Appuyer sur le bouton de dégagement situé sur le dessus de l'aspirateur portatif. Tirer le vide-poussière

vers le bas et le retirer.

Pour le remettre en place :

- Positionner les deux sections, comme l'illustre la figure ci-dessus. Aligner la fente située au bas du contenant à poussière avec la languette au bas du boîtier du moteur, et assembler les deux sections en exerçant une pression.

ENTRETIEN

Entretien général

Éviter les solvants pour le nettoyage des pièces en plastique. La plupart des plastiques sont susceptibles d'être endommagés par divers types de solvants commerciaux et peuvent être endommagés par leur utilisation. Utiliser un chiffon propre pour enlever la saleté, la poussière, l'huile, la graisse, etc.

Ce produit ne contient pas de pièces remplaçables.

Si l'appareil ne fonctionne pas comme il se doit et s'il a été échappé, endommagé, laissé à l'extérieur ou échappé dans l'eau, veuillez communiquer avec le service à la clientèle au 800-406-2005.

AVERTISSEMENT!

Ne jamais faire entrer les pièces en plastique en contact avec des liquides de frein, du carburant, des produits dérivés du pétrole, des huiles pénétrantes, etc. Les produits chimiques peuvent endommager, fragiliser ou détruire le plastique, ce qui pourrait entraîner des blessures graves.

AVERTISSEMENT!

Pour éviter les blessures graves, retirez toujours le bloc-piles du produit avant de procéder au nettoyage ou à l'entretien.

Nettoyer / remplacer le filtre Voir la figure 8, à la page 9

- Retirer le bloc-piles et le vide-poussière.
- Retirer le filtre en appuyant sur les languettes vers l'intérieur et en enlevant le filtre de la grille.
- Secouer ou brosser légèrement le filtre pour le nettoyer. Le remplacer au besoin.
- Retirer la grille du vide-poussière.
- Secouer ou brosser légèrement la grille pour le nettoyer. La remplacer au besoin
- Vider le vide-poussière; le laver au besoin. Avant de le fixer de nouveau à l'aspirateur portatif, s'assurer que toutes les pièces sont complètement sèches.

ACCESSOIRES

On peut trouver ces accessoires en consultant les sites Hoover.com ou Hoover.ca ou en composant le 800-406-2005.

Chaque pile ONEPWR fonctionne avec chaque produit ONEPWR.		Pièces et accessoires :	
Pile:	N° de modèle	Chargeur	BH05000
2.0 Ah	BH15020		
3.0 Ah	BH15030		
4.0Ah MAX	BH25040		

ENTRETIEN ET GARANTIE

RENSEIGNEMENTS CONCERNANT L'ENTRETIEN ET GARANTIE LIMITÉE POUR LES PRODUITS ONEPWR HOOVER®

Pour toute aide concernant la garantie ou toute question sur le produit ONEPWR Hoover, communiquer avec le service à la clientèle de Hoover. Pour un entretien aux États-Unis ou au Canada, composer le 800-406-2005.

Les frais de transport ou d'expédition à destination et en provenance du centre de réparation sont payés par le propriétaire. Toujours indiquer le numéro de modèle et le code de fabrication de votre produit pour demander des renseignements ou commander des pièces de rechange. (Le numéro de modèle et le code de fabrication de l'appareil se trouvent derrière le vide-poussière et à l'arrière du chargeur.)

GARANTIE LIMITÉE DE DEUX ANS (USAGE DOMESTIQUE)

ÉLÉMENTS COUVERTS PAR LA PRÉSENTE GARANTIE : Cette garantie limitée fournie par Royal Appliance Mfg. Co., exerçant ses activités sous TTI Floor Care North America (appelée « Hoover » ci-après) s'applique uniquement aux produits achetés aux États-Unis (y compris ses territoires et possessions), au Canada et par l'intermédiaire du programme d'échanges militaires américain. Votre produit HOOVERMD et sa pile sont garantis pour des conditions normales d'utilisation et d'entretien domestiques, comme le stipule le Guide d'utilisation, contre les défauts de matériaux et de fabrication pour une période complète de deux ans à compter de la date d'achat (ci-après la « période de garantie »). Si Hoover détermine que le problème que vous rencontrez est couvert en vertu des modalités de la garantie du produit (une « réclamation couverte par la garantie »), nous réparerons alors votre produit ou vous expédierons un produit de rechange, selon la disponibilité des produits, à notre entière discrétion et sans frais (sous réserve du coût d'expédition). Les pièces de rechange peuvent être nouvelles, remises à neuf, légèrement utilisées ou réunies, à l'entière discrétion de Hoover. Si une pièce ou une pièce de rechange n'est pas disponible, nous pourrions, à notre entière discrétion, fournir un produit de valeur égale ou supérieure, un crédit en magasin (le cas échéant) ou un remboursement équivalant au prix d'achat réel en date de l'achat initial, comme indiqué sur le reçu de vente original.

PERSONNES COUVERTES PAR LA PRÉSENTE GARANTIE : La présente garantie limitée s'applique uniquement à l'acheteur original, avec une preuve d'achat provenant de Hoover ou d'un détaillant autorisé des produits Hoover aux États-Unis, au Canada et par l'intermédiaire du programme d'échanges militaires américain.

RÉCLAMATION AU TITRE DE LA GARANTIE : Si ce produit ne fonctionne pas comme il a été annoncé, communiquer avec le service à la clientèle de Hoover. S'assurer d'avoir en main la preuve d'achat et le numéro de modèle du produit couvert par la garantie.

ÉLÉMENTS NON COUVERTS PAR LA PRÉSENTE GARANTIE : La présente garantie ne couvre pas toute utilisation commerciale du produit (p. ex., utilisation dans le cadre de services ménagers, de conciergerie ou de location de matériel ou de toute autre activité générant un revenu), l'entretien inadéquat du produit, l'utilisation inadéquate du produit, la négligence, les actes de vandalisme ou l'utilisation d'une tension électrique autre que celle indiquée sur la plaque signalétique de ce produit. La présente garantie ne couvre pas les dommages résultant d'un cas de force majeure, d'un accident, d'actes ou d'omission de la part du propriétaire, de l'entretien de ce produit autre que par Hoover ou un fournisseur de service autorisé par Hoover (le cas échéant) ou en raison d'autres actes qui sont hors du contrôle de Hoover. La présente garantie ne couvre pas non plus l'utilisation à l'extérieur du pays d'achat initial du produit ni sa revente par le propriétaire original. La présente garantie ne couvre pas le ramassage, la livraison, le transport et la réparation à domicile. De plus, elle ne couvre pas les produits qui ont été modifiés, les réparations nécessaires en raison de l'usure normale ou l'utilisation de pièces ou d'accessoires qui sont incompatibles avec le produit de Hoover ou qui nuisent à son fonctionnement, à son rendement ou à sa durabilité. Les articles ayant une usure normale qui ne sont pas couverts par cette garantie comprennent, sans s'y limiter, les courroies, les filtres, les rouleaux-brosses, les ventilateurs soufflants, le souffleur et les tuyaux d'aspirateur, les sacs d'aspirateurs et les attaches.

Communiquer avec le service à la clientèle de Hoover au 800-406-2005 pour obtenir des renseignements sur la façon d'expédier ce produit. La présente garantie ne s'applique pas aux produits achetés hors des États-Unis (ce qui comprend ses territoires et possessions), hors du programme d'échanges militaires américain et hors du Canada.

AUTRES CONDITIONS IMPORTANTES : La présente garantie n'est pas transférable et ne peut être cédée; toute cession effectuée en violation de cette interdiction est annulée. La présente garantie sera régie et interprétée selon les lois de l'État de la Caroline du Nord. La Période de garantie ne peut pas être prolongée par une réparation ou un remplacement des piles ou des pièces exécutés en vertu de la présente garantie, quels qu'ils soient.

LA PRÉSENTE GARANTIE EST L'UNIQUE GARANTIE ET RECOURS ET TOUTE GARANTIE EXPLICITE OU IMPLICITE AUTRE QUE LA GARANTIE LIMITÉE PRÉSENTÉE CI-DESSUS, Y COMPRIS LES GARANTIES IMPLICITES DE QUALITÉ MARCHANDE ET DE CONVENANCE À UNE FIN PARTICULIÈRE, EST EXPRESSÉMENT DÉCLINÉE. HOOVER NE POURRA EN AUCUN CAS ÊTRE TENUE RESPONSABLE DE TOUS DOMMAGES INTÉRÊTS SPÉCIAUX OU DOMMAGES INDIRECTS, ACCESSOIRES OU CONSÉCUTIFS DE QUELQUE NATURE QU'CE SOIT SUBIS PAR LE PROPRIÉTAIRE DU PRODUIT OU PAR TOUTE PARTIE RÉCLAMANT PAR L'INTERMÉDIAIRE DU PROPRIÉTAIRE, QU'ILS RELEVENT DE LA RESPONSABILITÉ CONTRACTUELLE, DE LA NÉGLIGENCE, DE LA RESPONSABILITÉ CIVILE DÉLICTUELLE OU DE LA RESPONSABILITÉ STRICTE DU FAIT DES PRODUITS, OU QU'ILS DÉCOULENT DE QUELQUE CAUSE QUE CE SOIT. DANS LES LIMITES PERMISES PAR LA LOI APPLICABLE, AUCUNE GARANTIE RÉSULTANT D'UNE THÉORIE JURIDIQUE, LE CAS ÉCHÉANT, NE PEUT DÉPASSER LA DURÉE DE LA GARANTIE LIMITÉE AUX PRÉSENTES. LA RESPONSABILITÉ DE HOOVER À VOTRE ENDROIT POUR TOUS LES COÛTS, QUELS QU'ILS SOIENT, DÉCOULANT DE CETTE DÉCLARATION DE GARANTIE LIMITÉE SE LIMITE AU MONTANT PAYÉ POUR CE PRODUIT AU MOMENT DE L'ACHAT INITIAL. HOOVER NE PEUT ÊTRE TENUE RESPONSABLE DE TOUT DOMMAGE DIRECT, INDIRECT, CONSÉCUTIF OU ACCIDENTEL RÉSULTANT DE L'UTILISATION DE CE PRODUIT OU DE L'IMPOSSIBILITÉ DE L'UTILISER.

Certains États n'autorisent pas l'exclusion ni la restriction des dommages indirects ou accessoires, l'exclusion de garanties implicites ou les limites de durée d'une garantie implicite; par conséquent, les restrictions ou exclusions précédentes peuvent ne pas s'appliquer.

La présente garantie vous donne des droits précis. Vous pouvez également avoir d'autres droits, lesquels varient d'une province à l'autre.

Bienvenido al

ONE PWR SYSTEM

Limpie aún más, más rápido y fácil con libertad inalámbrica



PROTEJA SU COMPRA

Para registrar su producto, vaya a la URL siguiente y siga los pasos hasta finalizar.
[HOOVER.COM/PRODUCT-REGISTRATION](https://www.hoover.com/product-registration)

INSTRUCCIONES DE SEGURIDAD IMPORTANTES

CONSERVE ESTAS INSTRUCCIONES

- Cuando se utilizan aparatos eléctricos, se deben seguir siempre precauciones básicas, incluidas las siguientes:

LEA TODAS LAS INSTRUCCIONES ANTES DE UTILIZAR ESTE APARATO

ADVERTENCIA: PARA DISMINUIR EL RIESGO DE INCENDIO, DESCARGA ELÉCTRICA, DAÑOS O LESIONES:

- Arme la unidad por completo antes de ponerla en funcionamiento.
- No la utilice en superficies mojadas. No la exponga a la lluvia. Almacénela en interiores.
- Utilice las prendas adecuadas. No utilice prendas sueltas ni joyas. Átase el pelo largo. Mantenga el cabello, las prendas sueltas, los dedos, y todas las partes del cuerpo y de las prendas, lejos de las aberturas y piezas móviles. Las prendas sueltas, las joyas o el cabello largo pueden quedar atrapados en las piezas móviles internas.
- Apague todos los controles antes de extraer el paquete de baterías del producto.
- No extienda la unidad en exceso. Mantenga el apoyo y el equilibrio adecuados en todo momento. El apoyo y el equilibrio adecuados permiten un mejor control del producto en situaciones inesperadas. No utilice la unidad en una escalera o en un soporte inestable.
- Utilice equipos de seguridad. Debe utilizar una máscara antipolvo en condiciones adecuadas.
- Evite que se lo utilice como un juguete. Los niños de 12 años o menos no deben utilizar la unidad. Cuando la utilicen niños o se utilice cerca de ellos, será necesario hacerlo bajo una estricta supervisión. Para evitar lesiones o daños, mantenga a los niños alejados del producto y no permita que introduzcan los dedos ni objetos en ninguna de las aberturas del producto.
- Utilice la unidad únicamente según el uso descrito en este manual. Utilice solamente los accesorios y productos recomendados por el fabricante.
- Para reducir el riesgo de incendio o explosión, no deje el producto funcionando cuando está sin supervisión. Detenga la unidad de inmediato si exhibe señales de funcionamiento anormal, como pérdida de aspiración, líquido o suciedad en el escape, o cualquier ruido anormal del motor.
- No utilice el cargador si el cable o el enchufe se encuentran dañados. Si el aparato o el cargador no funcionan como deben; si se han caído, han sido dañados, dejados a la intemperie o sumergidos en agua, llame al servicio de atención al cliente al 800-406-2005.
- No manipule el cargador, incluido el enchufe, ni los terminales del cargador con las manos húmedas.
- No extraiga ni transporte el cargador tirándolo por el cable; no tire del cable, no cierre una puerta con él ni lo enrosque alrededor de bordes o esquinas filosas. No apoye el producto sobre el cable. No pase el aparato por encima del cable. Mantenga el cable lejos de las superficies calientes.
- No desenchufe el cargador tirando del cable. Para desenchufarlo, agarre el enchufe, no el cable.
- Extreme las precauciones cuando limpie en escaleras. Para evitar lesiones o daños físicos, y a fin de evitar que la aspiradora se caiga, colóquela siempre al pie de las escaleras o sobre el suelo. No coloque la aspiradora sobre las escaleras ni sobre un mueble, ya que pueden generarse lesiones o daños.
- No coloque ningún objeto en las aberturas de las ventilaciones. No utilice la unidad si alguna de sus aberturas se encuentra bloqueada. Manténgalas libres de polvo, pelusas, cabello y cualquier otro elemento que pueda disminuir el flujo de aire.
- NUNCA aspire materiales que puedan quemarse o generar humo, como carbón caliente, colillas de cigarrillos, fósforos, cenizas calientes o humeantes, etc.
- NO utilice la unidad para aspirar líquidos combustibles o inflamables, tales como gasolina, restos de madera lijada, ni la utilice en áreas en las que dichas sustancias puedan estar presentes.
- No utilice la unidad si el filtro no está colocado.
- No incinere el cargador, la batería ni el aparato, aun si estuvieran muy dañados. Las baterías pueden explotar y provocar un incendio.
- El producto no tiene que estar enchufado a un tomacorriente, por lo tanto, siempre está en condiciones de funcionamiento. Tenga en cuenta los posibles peligros al utilizar el producto o cuando cambie los accesorios.

ADVERTENCIA

RIESGO DE INCENDIO, DAÑOS A LA PROPIEDAD Y LESIONES. NUNCA EXPONGA EL PAQUETE DE BATERÍAS, EL CARGADOR O LA UNIDAD AL AGUA, LA HUMEDAD O LOS LÍQUIDOS, INCLUIDOS, ENTRE OTROS, LOS LÍQUIDOS CORROSIVOS O CONDUCTORES. NI PERMITA QUE LOS LÍQUIDOS FLUYAN DENTRO DE ESTOS ELEMENTOS.

Los líquidos corrosivos o conductores, como el agua salada, el cloro, ciertos productos químicos industriales, y la lavandina o los productos a base de lavandina, etc., pueden provocar un cortocircuito en el paquete de baterías. Si el paquete de baterías se expone a un líquido corrosivo o conductor, no intente usar ni cargar el paquete de baterías, y realice los pasos siguientes de inmediato:

- Utilice el equipo personal protector adecuado, incluida protección ocular y guantes de goma.
- Coloque el paquete de baterías expuesto en un cubo grande, como un cubo de 5 galones (18 litros) o similar, y llene el cubo con agua corriente común. No coloque más de dos paquetes en el cubo.
- Coloque el cubo en exteriores, en una zona inaccesible para los niños y las mascotas, y lejos de edificios, garajes/cobertizos, estructuras, vehículos y materiales combustibles/inflamables.
- Deje el paquete de baterías en el cubo lleno con agua corriente y llame al Servicio de atención al cliente al 1-888-768-2014 para obtener instrucciones adicionales para desechar correctamente los paquetes de baterías expuestos.

INSTRUCCIONES DE SEGURIDAD IMPORTANTES

CONSERVE ESTAS INSTRUCCIONES

- Extraiga la batería cuando la aspiradora no esté en uso y antes de realizar un servicio de mantenimiento.
- Use la batería solo con el cargador adecuado. Para usar la unidad con baterías de iones de litio ONEPWR de Hoover, consulte la página 23 para ver la compatibilidad de baterías y cargadores.
- Recargue la unidad solo con el cargador especificado por el fabricante.
- Un cargador adaptado para un tipo de paquete de baterías puede crear un riesgo de incendio cuando se lo utiliza con otro paquete de baterías. No utilice el cargador en exteriores.
- Use el producto solo con los paquetes de baterías diseñados específicamente. El uso de un paquete de baterías distinto puede crear un riesgo de lesiones e incendios.
- Cuando el paquete de baterías no esté en uso, manténgalo alejado de otros objetos de metal, como: sujetadores de papeles, monedas, llaves, clavos, tornillos u otros objetos metálicos pequeños que puedan realizar una conexión desde un terminal al otro. Si se produce un cortocircuito entre los terminales, se pueden generar chispas, quemaduras o incendios.
- Siempre retire el paquete de baterías del producto cuando esté armando piezas, antes de realizar ajustes, cambiar accesorios, almacenar el producto, limpiarlo, o cuando no esté en uso. La extracción del paquete de baterías evitará el arranque accidental, que puede provocar lesiones personales graves.
- No use un paquete de baterías o un producto que esté dañado o se haya modificado. Las baterías dañadas o modificadas pueden exhibir un comportamiento impredecible que puede provocar incendios, explosiones o riesgo de lesiones.
- No cargue la batería en exteriores o en superficies mojadas ni almacene la unidad en dichos lugares. Evite que la unidad se moje.
- No modifique ni intente reparar el aparato o el paquete de baterías, excepto como se indica en las instrucciones de uso y mantenimiento.
- Para reducir el riesgo de explosión y lesiones personales graves, nunca use ni exponga el paquete de baterías o cualquier producto inalámbrico en la presencia de una llama abierta o a temperaturas superiores a 265 °F (130 °C). Una batería que explota puede derramar desechos y productos químicos. En caso de exposición, lave con agua inmediatamente.
- Evite el encendido accidental. Asegúrese de que el interruptor esté en la posición de apagado antes de conectar la fuente de alimentación y/o el paquete de baterías, de levantar o de transportar el artefacto. Transportar productos de baterías con su dedo en el interruptor o conectar productos de baterías con el interruptor encendido puede provocar accidentes.
- Bajo condiciones severas, puede eyectarse líquido desde la batería. Evite el contacto. Si sucede un contacto accidental, lávese con agua. Si el líquido entra en contacto con los ojos, busque asistencia médica adicional. El líquido eyectado desde la batería puede provocar irritación o quemaduras.
- No cargue la batería en un sumidero o en un lugar húmedo. No use,

almacene ni cargue paquetes o productos de baterías en lugares donde la temperatura sea inferior a 50 °F (10 °C) o superior a 100 °F (37 °C). No lo almacene en exteriores ni en vehículos.

- No cargue la batería en exteriores o en superficies mojadas ni almacene la unidad en dichos lugares. Evite que la unidad se moje.
- Siga todas las instrucciones de carga y no cargue el paquete de baterías ni el aparato fuera del rango de temperaturas especificado en las instrucciones. La carga incorrecta o a temperaturas que estén fuera del rango especificado puede dañar la batería y aumentar el riesgo de incendios.
- Revise si existe falta de alineación o si se unen las piezas móviles, si hay piezas rotas, y cualquier otra condición que pueda afectar el funcionamiento del producto. Si encuentra daños, llame al servicio de atención al cliente antes del uso. Los productos con mantenimiento insuficiente pueden provocar gran cantidad de accidentes.
- Utilice solo los accesorios recomendados por el fabricante para su modelo. Los accesorios que puedan ser adecuados para un producto pueden generar un riesgo de lesiones cuando se utilizan en otro.
- Guarde el producto luego de su uso para evitar tropezarse accidentalmente.
- No permita que los productos basados en gasolina, aceites, petróleo, etc. entren en contacto con las piezas plásticas. Contienen productos químicos que pueden dañar, debilitar o destruir el plástico.
- Este producto tiene como fin un uso doméstico únicamente. Si se lo utiliza con fines comerciales, la garantía quedará ANULADA.
- Este producto no contiene piezas que el usuario pueda reparar.
- Conserve estas instrucciones. Consúltelas con frecuencia y úselas para instruir a otras personas que puedan usar este producto. Si presta este producto a otra persona, préstele también estas instrucciones.

PRECAUCIÓN

- Para disminuir el riesgo de daños:

Evite aspirar objetos duros y filosos con este producto, ya que pueden dañarlo.

Almacénelo apropiadamente en interiores, en un lugar seco.

Almacénelo apropiadamente en interiores, en un lugar seco. No exponga la máquina a temperaturas bajo cero.

INSTRUCCIONES DE SEGURIDAD IMPORTANTES CONSERVE ESTAS INSTRUCCIONES

ADVERTENCIA SOBRE LA ELIMINACIÓN DE LA BATERÍA: RIESGO DE EXPLOSIÓN O EXPOSICIÓN A MATERIAL TÓXICO.

BATERÍAS DE IONES DE LITIO

La batería se debe recolectar, reciclar o desechar de una forma que no sea perjudicial para el medio ambiente. El Sello de Reciclado de Baterías RBRC certificado por la Agencia de Protección Ambiental (EPA, por sus siglas en inglés) que se encuentra en la batería de iones de litio (Li-ion) indica que Techtronic Industries, una filial de la empresa de Hoover, Inc., participa voluntariamente en un programa industrial para recolectar y reciclar estas baterías al final de su vida útil, cuando se sacan de servicio, en Estados Unidos o Canadá. El programa RBRC proporciona una buena alternativa a desechar las baterías de iones de litio utilizadas en la basura o en caudales de residuos municipales, lo que puede ser ilegal en su área. Visite la página www.rbrc.org/call2recycle/ para obtener información sobre las prohibiciones/restricciones en su área, en relación con el reciclado y desecho de las baterías de iones de litio. La participación de Hoover, Inc. en este programa es parte de nuestro compromiso con la preservación de nuestro medio ambiente y la conservación de nuestros recursos naturales.



¿TIENE PREGUNTAS O INQUIETUDES?

Póngase en contacto con nosotros:
Hoover.com/support or Hoover.ca/support
800-406-2005

Comuníquese con nosotros:

Twitter: @HooverUSA

Facebook: [facebook.com/hoover](https://www.facebook.com/hoover)

No devuelva la unidad a la tienda. Vea la parte superior de la tapa para consultar el número de modelo.

⚠️ ADVERTENCIA ⚠️

No utilice este producto si no está completamente ensamblado o si tiene piezas dañadas o faltantes. El uso de un producto que tiene piezas dañadas o faltantes puede provocar lesiones personales graves.

⚠️ ADVERTENCIA ⚠️

No intente modificar este producto ni crear accesorios o conexiones no recomendados para usar con este producto. Cualquier alteración o modificación se considera uso indebido y puede provocar una condición peligrosa que provoque lesiones personales graves.

Si hay piezas dañadas o faltantes, llame al 800-406-2005 para obtener ayuda.

FUNCIONAMIENTO

⚠️ ADVERTENCIA ⚠️

No permita que el hecho de familiarizarse con el producto provoque un uso descuidado. Recuerde que una fracción de segundo de descuido es suficiente para provocar lesiones graves.

⚠️ ADVERTENCIA ⚠️

Para evitar lesiones personales graves, siempre extraiga el paquete de baterías del producto cuando realice la limpieza o el mantenimiento.

⚠️ ADVERTENCIA ⚠️

No utilice conexiones o accesorios no recomendados por el fabricante de este producto. El uso de conexiones o accesorios no recomendados puede provocar lesiones personales graves.

Aplicaciones

• Puede utilizar este producto para el siguiente fin:

• Aspiración de carga liviana en superficies secas.

Instalación/extracción del paquete de baterías

Consulte la Figura 1 en la página 8

• Inserte el paquete de baterías en el puerto de la batería.

• Asegúrese de que los pestillos de cada lado del paquete de baterías encastran en su lugar y que el paquete de baterías esté fijo en la aspiradora de mano antes de comenzar el funcionamiento.

• Ubique las muescas de la parte lateral del paquete de baterías y presione ambos lados para liberar el paquete de baterías de la aspiradora de mano.

Carga del paquete de baterías

Consulte la Figura 2 en la página 8

• Cargue la batería por completo antes de utilizar la unidad por primera vez. La carga puede demorar hasta 3 horas. Debido a reglamentaciones federales la batería no viene completamente cargada.

• Enchufe el cargador en el tomacorriente.

- Conecte el paquete de baterías al cargador alineando los rebordes del paquete de baterías con las ranuras del cargador. Deslice el paquete de baterías en el cargador.
- Cuando realice la carga, las luces de la batería se iluminarán para mostrar el estado de la carga. La luz del cargador parpadeará.
- Si la luz del cargador parpadea en color rojo, existe un error con la batería o el cargador. Intente nuevamente o llame al servicio de atención al cliente para obtener asistencia.
- Cuando finalice la carga, las luces de la batería se apagarán y la luz del cargador quedará fija.
- Para extraer el paquete de baterías del cargador, presione los pestillos y tire del paquete de baterías hacia arriba.

Iniciar/detener la aspiradora

Consulte la Figura 3 en la página 8

- Para arrancar la aspiradora: deslice el interruptor de encendido/apagado hacia la parte delantera de la aspiradora.
- Para detener la aspiradora: deslice el interruptor de encendido/apagado hacia la parte trasera de la aspiradora.

Herramienta para limpieza en rincones

Consulte las Figuras 4 y 5 en la página 9

- La herramienta para limpieza en rincones se almacena en la parte de abajo de la de la copa de recolección de residuos.
- Para desconectar la herramienta para limpieza en rincones, tirela hacia adelante y extráigala de la copa de recolección de residuos.
- Apague la aspiradora.
- Retire el paquete de baterías.
- Inserte el accesorio en el extremo delantero de la copa de recolección de residuos, asegurándose de que el accesorio esté presionado en forma segura en su lugar.

Extracción/reconexión de la copa de recolección de residuos.

FUNCIONAMIENTO

Consulte las Figuras 6 y 7 en la página 9

- La copa de recolección de residuos debe revisarse, vaciarse y limpiarse periódicamente para que la recolección de residuos sea más eficiente.

Para extraer:

- Retire el paquete de baterías.
- Presione el botón de liberación ubicado en la parte superior de la aspiradora de mano. Tire de la copa de

recolección de residuos hacia afuera. vers le bas et le retirer.

Para volver a conectar:

- Posicione las dos secciones como se muestra en la figura. Alinee la ranura de la parte inferior del tazón de recolección de polvo con la pestaña de la parte inferior de la carcasa del motor y, luego, encastre las dos secciones al mismo tiempo.

MANTENIMIENTO

Mantenimiento general

Evite el uso de solventes cuando limpie las piezas plásticas. La mayoría de las piezas plásticas son susceptibles a los daños provocados por diversos tipos de solventes comerciales, y pueden dañarse con su uso. Utilice paños limpios para limpiar el polvo, la suciedad, el aceite, la grasa, etc.

Este producto no contiene piezas que el usuario pueda reparar.

Si el aparato no funciona como debe, si se ha caído, dañado, dejado a la intemperie o sumergido en el agua, comuníquese con el servicio de atención al cliente llamando al 800-406-2005.

ADVERTENCIA

No permita que los líquidos de frenos, los productos basados en gasolina y petróleo, los aceites penetrantes, etc. entren en contacto con las piezas plásticas en ningún momento. Los productos químicos pueden dañar, debilitar o destruir el plástico, lo que puede provocar lesiones personales graves.

ADVERTENCIA

Para evitar lesiones personales graves, siempre retire el paquete de baterías del producto cuando realice la limpieza o el mantenimiento.

Limpieza/reemplazo del filtro

Consulte la Figura 8 en la página 9

- Retire el paquete de baterías y la copa de recolección de residuos.
- Retire el filtro presionando las pestañas hacia adentro y levantando el filtro hacia afuera del conjunto de la pantalla.
- Sacuda o cepille levemente el polvo o la suciedad del filtro. Reemplácelo según sea necesario.
- Retire el conjunto de la pantalla de la copa de recolección de residuos.
- Sacuda o cepille levemente el polvo de la pantalla y del conjunto de la pantalla. De ser necesario, lávelo.
- Vacíe la copa recolección de residuos, y lávela de ser necesario. Antes de volver a conectar la aspiradora de mano, asegúrese de que todas las piezas estén completamente secas.

ACCESORIOS

Busque estos accesorios en Hoover.com o Hoover.ca o llame al 800-406-2005.

Todas las baterías ONEPWR funcionan con todos los productos ONEPWR.		Piezas y accesorios:	
Batería:	N.º de model	Cargador	BH05000
2.0 Ah	BH15020		
3.0 Ah	BH15030		
4.0Ah MAX	BH25040		

INSTRUCCIONES DE SEGURIDAD

INFORMACIÓN DE SERVICIO Y GARANTÍA LIMITADA PARA PRODUCTOS ONEPWR DE HOOVER®

Si necesita ayuda con la garantía, o tiene preguntas sobre su producto ONEPWR de Hoover, comuníquese con el Servicio de atención al cliente. Para el servicio en EE. UU. o Canadá, llame al 800-406-2005.

El propietario deberá pagar todos los costos de envío y/o transporte desde y hasta cualquier lugar de reparación. Identifique su producto de acuerdo al número del modelo y el código de fabricación cuando solicite información o realice el pedido de las piezas de repuesto. (El número de modelo y el código de fabricación de la aspiradora aparecen detrás de la copa de recolección de residuos o del cargador). GARANTÍA LIMITADA DE DOS AÑOS (USO DOMÉSTICO)

COBERTURA DE LA GARANTÍA LIMITADA: Esta garantía limitada provista por Royal Appliance Mfg. Co., que realiza negocios como TTI Floor Care North America (a la que se hará referencia como "Hoover" en el presente documento) se aplica solo a productos adquiridos en EE. UU. (incluidos sus territorios y posesiones), una Tienda de intercambios militares de los EE. UU. o Canadá. En casos de uso y mantenimiento domésticos en condiciones normales y conforme a la Guía del propietario, el producto y la batería Hoover® tienen garantía contra fallas de fábrica en los materiales y fallas por mano de obra por un período de dos años desde la fecha de compra original (en adelante, el "Plazo de la garantía"). Si Hoover determina que el problema que presenta cuenta con la cobertura de los términos de la garantía del producto (un "reclamo de la garantía cubierto"), a nuestro criterio y sin costo (sujeto al costo de envío), repararemos su producto o enviaremos un producto de reemplazo, que será nuevo o refabricado y estará sujeto a disponibilidad. Las piezas y reemplazos pueden ser nuevos, reacondicionados, con poco uso o refabricados, según el criterio de Hoover. Si no hay piezas y reemplazos disponibles, a nuestro criterio, podemos otorgar un producto similar de igual o superior valor, un crédito para la compra (si corresponde) o reembolsar el precio de la compra real al momento de la compra original, tal como se indique en el recibo de venta original.

PERSONAS AFECTADAS POR LA COBERTURA DE LA GARANTÍA LIMITADA: Esta garantía limitada se extiende únicamente al comprador minorista original, con comprobante de compra original de Hoover o un distribuidor autorizado de productos Hoover, en EE. UU., Tiendas de intercambios militares de los EE. UU., y en Canadá.

¿CÓMO HACER UN RECLAMO DE LA GARANTÍA?: Si este producto no cumple con la garantía, comuníquese con el Servicio de atención al cliente de Hoover. Tenga a mano el comprobante de compra y el número de modelo para el producto cubierto por la garantía.

¿QUÉ ES LO QUE NO CUBRE ESTA GARANTÍA LIMITADA?: Esta garantía no cubre el uso del producto en operaciones comerciales (tales como servicios de limpieza, portería y servicios de alquiler de equipos, u otra actividad generadora de ingresos); el mantenimiento inadecuado del producto; el producto si ha sido expuesto a abuso, negligencia, mal uso, vandalismo o el uso de voltajes diferentes a los especificados en la placa de identificación del producto. Esta garantía no cubre los daños provocados por actos fortuitos, accidentes, actos u omisiones del propietario, mantenimiento del producto por parte de un proveedor de servicios distinto de Hoover o no autorizado por Hoover (si corresponde), u otros actos que excedan el control de Hoover. Esta garantía tampoco cubre el uso fuera del país en el que se compró el producto originalmente, o la reventa del producto que realice el propietario original. Esta garantía no cubre la recolección, la entrega, el transporte ni las llamadas domésticas. Además, esta garantía no cubre ningún producto que haya sido alterado o modificado, reparado en forma necesario por el desgaste normal, o en el cual se hayan utilizado piezas o accesorios incompatibles con el producto Hoover o que afecten de manera negativa su funcionamiento, rendimiento o durabilidad. Los elementos con desgaste normal que no estén cubiertos por esta garantía incluyen, entre otros, correas, filtros, cepillos giratorios, ventiladores sopladores, sopladores y tubos aspiradores, o bolsas y cintas para la aspiradora.

Llame al Servicio de atención al cliente de Hoover al 800-406-2005 para obtener información sobre cómo enviar este producto. Esta garantía no se aplica a los productos comprados fuera de los Estados Unidos, tiendas de intercambios militares de los EE. UU. o Canadá.

OTROS TÉRMINOS IMPORTANTES: Esta garantía no es transferible y no puede asignarse, cualquier asignación realizada en contravención con esta prohibición quedará nula. Esta garantía se regirá e interpretará bajo las leyes del estado de Carolina del Norte. El Plazo de la garantía no se prolongará por el reemplazo de las baterías o piezas, ni por cualquier reparación realizada conforme a esta garantía.

ESTA GARANTÍA TIENE PREVALENCIA EXCLUSIVA COMO TAL Y COMO RECURSO LEGAL, Y QUEDAN EXPRESAMENTE RECHAZADAS TODAS LAS GARANTÍAS EXPRESAS E IMPLÍCITAS DIFERENTES DE LA GARANTÍA LIMITADA ESTABLECIDA ANTERIORMENTE RESPECTO DE ESTE PRODUCTO, CON INCLUSIÓN DE LAS GARANTÍAS IMPLÍCITAS DE APTITUD PARA LA VENTA O ADECUACIÓN A FINES ESPECÍFICOS. EN NINGÚN CASO, HOOVER SERÁ RESPONSABLE POR LOS DAÑOS ESPECIALES, INDIRECTOS, INCIDENTALES O CONSECUENTES DE NINGÚN TIPO QUE SUFRA EL PROPIETARIO O CUALQUIER PARTE QUE RECLAME POR INTERMEDIO DE ESTE, YA SEA CON BASE EN UN CONTRATO, POR NEGLIGENCIA, HECHO ILÍCITO CIVIL O RESPONSABILIDAD OBJETIVA, NI POR NINGUNA OTRA CAUSA. EN LA MÁXIMA MEDIDA PERMITIDA POR LAS LEYES APLICABLES, NINGUNA GARANTÍA QUE SURJA DE LA APLICACIÓN DE LA LEY, SI ES APLICABLE, SUPERARÁ LA DURACIÓN DE LA GARANTÍA LIMITADA AQUÍ PREVISTA. LA RESPONSABILIDAD DE HOOVER POR DAÑOS Y POR TODO GASTO QUE SURJA DE ESTA DECLARACIÓN DE GARANTÍA LIMITADA QUEDARÁ RESTRINGIDA AL MONTO ABONADO POR ESTE PRODUCTO AL MOMENTO DE SU COMPRA ORIGINAL, Y HOOVER NO SERÁ RESPONSABLE DE NINGÚN DAÑO DIRECTO, INDIRECTO, EMERGENTE O INCIDENTAL QUE SURJA DEL USO O DE LA IMPOSIBILIDAD DE USO DE ESTE PRODUCTO.

Algunos estados no permiten la exclusión o la limitación de daños incidentes o consecuentes, descargos de garantías implícitas o limitaciones con respecto a la duración de garantías implícitas; por lo tanto, es posible que las exclusiones, los descargos y/o las limitaciones no se apliquen en su caso.

Esta garantía le otorga derechos legales específicos. También puede tener otros derechos, que varían según el estado.

