

USER MANUAL
GUIDE DE L'UTILISATEUR
 MANUAL DEL USUARIO

HARD SURFACE BLOWER
SOUFFLEUR POUR LES SURFACES DURES

SOPLADORA PARA SUPERFICIES DURAS

© 2019 TECHTRONIC FLOOR CARE TECHNOLOGY LIMITED. ALL RIGHTS RESERVED.
 CHARLOTTE, NC 28262
 1-800-406-2005

TABLE OF CONTENTS

Register your Product	1
Safety Instructions	2-3
Symbols	3
Assembly	4
Operation	4-5
Maintenance	5
Accessories	6
Service Warranty	6
Figures	7-8

TABLE DES MATIÈRES

Enregistrez votre produit	9
Consignes de sécurité	10-12
Des symboles	12
Assemblage	13
Utilisation	13-14
Entretien	14
Accessoires	15
Entretien et garantie	15
Figures	7-8

ÍNDICE

Registre su producto	16
Instrucciones de seguridad ..	17-19
Simbolos	19
Ensamblaje	20
Funcionamiento	20-21
Mantenimiento	21
Accesorios	22
Garantía de servicio	22
Figuras	7-8



IMPORTANT:

READ CAREFULLY BEFORE
 ASSEMBLY AND USE.



IMPORTANTES:

LISEZ ATTENTIVEMENT LE PRÉSENT GUIDE
 D'UTILISATION AVANT D'ASSEMBLER
 ET D'UTILISER L'APPAREIL.



IMPORTANTES:

LEA CUIDADOSAMENTE ESTA INFOR-
 MACIÓN ANTES DE ENSAMBLAR Y USAR
 LA ASPIRADORA.

Welcome to the

**ONE
PWR
SYSTEM**

**Clean Further, Faster and Easier
with the Freedom of Cordless**



PROTECT YOUR PURCHASE

To register your product, go to the URL below and follow the steps until complete.
[HOOVER.COM/PRODUCT-REGISTRATION](https://www.hoover.com/product-registration)

IMPORTANT SAFETY INSTRUCTIONS

SAVE THESE INSTRUCTIONS

- When using an electrical appliance, basic precautions should always be followed, including the following:

READ ALL INSTRUCTIONS BEFORE USING THIS APPLIANCE

WARNING: TO REDUCE THE RISK OF FIRE, ELECTRIC SHOCK, DAMAGE OR INJURY:

- Fully assemble before operating.
- DO NOT expose to rain. Store indoors.
- Dress properly. Do not wear loose clothing or jewelry. Contain long hair. Keep your hair, loose clothing, fingers, and all parts of the body and clothing, away from openings and moving parts. Loose clothes, jewelry, or long hair can be caught in internal moving parts.
- Turn off all controls before removing battery pack from your product.
- Do not overreach. Keep proper footing and balance at all times. Proper footing and balance enables better control of the product in unexpected situations. Do not use on a ladder or unstable support.
- Use safety equipment. Dust mask must be used for appropriate conditions.
- Do not allow to be used as a toy. Not intended for use by children age 12 and under. Close supervision is necessary when used by or near children. To avoid injury or damage, keep children away from product, and do not allow children to place fingers or other objects into any openings.
- Use only as described in this manual. Use only manufacturer's recommended attachments and products.
- To reduce the risk of fire or explosion, do not leave the product running while unattended. Immediately stop the unit if it shows signs of abnormal operation.
- Do not use charger with damaged cord or plug. If appliance or charger is not working as it should, has been dropped, damaged, left outdoors, or dropped into water, call customer service at 1.800.406.2005.
- Do not handle charger, including charger plug, and charger terminals with wet hands.
- Do not pull or carry charger by cord, use cord as a handle, close a door on cord, or pull cord around sharp edges or corners. Do not place product on cord. Do not run appliance over cord. Keep cord away from heated surfaces.
- Do not unplug charger by pulling on cord. To unplug charger, grasp the plug, not the cord.
- Use extra care when cleaning on stairs. To avoid personal injury or damage, and to prevent the cleaner from falling, always place cleaner at bottom of stairs or on floor. Do not place cleaner on stairs or furniture, as it may result in injury or damage.
- Do not put any objects in ventilation openings. Do not use with any opening blocked. Keep openings free of dust, lint, hair, and anything that may reduce air flow.
- NEVER blow materials that are burning or smoking, such as hot

coals, cigarette butts, matches, burning or smoking ashes, etc.

- DO NOT use in areas where flammable or combustible liquids, such as gasoline, may be present.
- Do not incinerate the charger, battery, or appliance even if it is severely damaged. The batteries can explode in a fire.
- The product does not have to be plugged into an electrical outlet, therefore it is always in operating condition. Be aware of possible hazards when using the product or when changing accessories.

! WARNING !

RISK OF FIRE, PROPERTY DAMAGE, AND INJURY. NEVER EXPOSE YOUR BATTERY PACK, CHARGER, OR UNIT TO WATER, MOISTURE, OR FLUIDS, INCLUDING BUT NOT LIMITED TO CORROSIVE OR CONDUCTIVE FLUIDS, OR ALLOW FLUIDS TO FLOW INSIDE THESE ITEMS.

Corrosive or conductive fluids, such as salt water, chlorine, certain industrial chemicals, and bleach or bleach containing products, etc., can cause a short circuit in the battery pack. If your battery pack is exposed to a corrosive or conductive fluid, do not attempt to use or charge the battery pack and immediately perform the following steps:

- Wear appropriate personal protective equipment, including eye protection and rubber gloves.
 - Place your exposed battery pack in a large bucket, such as a 5 gallon or similar bucket, and fill the bucket with regular tap water. Do not place more than two packs in the bucket.
 - Locate the bucket outdoors in an area inaccessible to children and pets and away from all buildings, garages/sheds, structures, vehicles, and combustible/flammable materials.
 - Leave the battery pack(s) in the bucket filled with tap water and call Customer Service at 1-800-406-2005 for additional instructions on the proper disposal of the exposed battery pack(s).
- Remove battery when the product is not in use and before maintenance.
 - Use battery only with charger listed. For use with Hoover ONEPWR Lithium Ion Batteries, see page 6 for battery and charger compatibility.
 - Recharge only with the charger specified by the manufacturer. A charger that is suitable for one type of battery pack may create a risk of fire when used with another battery pack. Do not use charger outdoors.
 - Use product only with specifically designated battery packs. Use of any other battery packs may create a risk of injury and fire.
 - When battery pack is not in use, keep it away from other metal objects like: paper clips, coins, keys, nails, screws, or other small metal objects that can make a connection from one terminal to another. Shorting the battery terminals together may cause sparks, burns, or a fire.

IMPORTANT SAFETY INSTRUCTIONS

SAVE THESE INSTRUCTIONS

- Always remove battery pack from your product when you are assembling parts before making any adjustments, changing accessories, storing product, cleaning, or when not in use. Removing battery pack will prevent accidental starting that could cause serious personal injury.
- Prevent unintentional starting. Ensure the switch is in the off-position before connecting to power source and/or battery pack, picking up or carrying the product. Carrying battery products with your finger on the switch or energizing battery products that have the switch on invites accidents.
- Under abusive conditions, liquid may be ejected from the battery; avoid contact. If contact accidentally occurs, flush with water. If liquid contacts eyes, additionally seek medical help. Liquid ejected from the battery may cause irritation or burns.
- Do not charge battery in a damp or wet location. Do not use, store, or charge battery packs or products in locations where the temperature is less than 50°F or more than 100°F. Do not store outside or in vehicles.
- Follow all charging instructions and do not charge the battery pack or appliance outside of the temperature range specified in the instructions. Charging improperly or at temperatures outside of the specified range may damage the battery and increase the risk of fire.
- Protect your lungs. Wear a face or dust mask if the operation is dusty. Following this rule will reduce the risk of serious personal injury.
- Check for misalignment or binding of moving parts, breakage of parts, and any other condition that may affect the product's operation. If damaged, call customer service prior to use. Many accidents are caused by poorly maintained products.
- Use only accessories that are recommended by the manufacturer for your model. Accessories that may be suitable for one product may create a risk of injury when used on another product.
- Do not let gasoline, oils, petroleum-based products, etc., come in contact with plastic parts. They contain chemicals that can damage, weaken, or destroy plastic.
- This product is intended for Household use only. If used Commercially warranty is VOID.

- This product contains no serviceable parts.
- Save these instructions. Refer to them frequently and use them to instruct others who may use this product. If you loan someone this product, loan them these instructions also.
- Put product away after each use to prevent tripping accidents.

CAUTION

- To reduce the risk of damage:

Store appropriately indoors in a dry place. Do not expose machine to freezing temperatures.

BATTERY DISPOSAL WARNING: RISK OF EXPLOSION OR EXPOSURE TO TOXIC MATERIAL.

LITHIUM-ION BATTERIES

The battery must be collected, recycled or disposed of in an environmentally sound manner. The EPA certified RBRC Battery Recycling Seal on the lithium-ion (Li-ion) battery indicated Techtronic Industries, a corporate affiliate of Hoover, Inc., is voluntarily participating in an industry program to collect and recycle these batteries at the end of their useful life, when taken out of service in the United States or Canada. The RBRC program provides a convenient alternative to placing used Li-ion batteries into the trash or the municipal waste stream, which may be illegal in your area. Please visit www.rbrc.org/call2recycle/ for information on Li-ion battery recycling and disposal bans/restrictions in your area. Hoover, Inc., involvement in this program is part of our commitment to preserving our environment and conserving our natural resources.



QUESTIONS OR CONCERNS?

Contact us:
Hoover.com/support or Hoover.ca/support
1-800-406-2005
Connect with us:
Twitter: @HooverUSA
Facebook: facebook.com/hoover

Do not return to store. See behind the battery dock on the product for model number.

SYMBOLS

Some of the following symbols may be used on this product. Please study them and learn their meaning. Proper interpretation of these symbols will allow you to operate the product better and safer.

SYMBOL	NAME	DESIGNATION/EXPLANATION
	Eye and Hearing Protection	Always wear eye protection with side shields marked to comply with ANSI Z87.1 along with hearing protection when operating this equipment.

ASSEMBLY

Unpacking

This product requires assembly.

Carefully remove the product and any accessories from the box. Make sure that all items listed on the box are included.

⚠️ WARNING! ⚠️

Do not use this product if it is not completely assembled or if any parts appear to be missing or damaged. Use of a product that is not properly and completely assembled or with damaged or missing parts could result in serious personal injury.

- Inspect the product carefully to make sure no breakage or damage occurred during shipping.
- Do not discard the packing material until you have carefully inspected and operated the product.

If any parts are damaged or missing, please call 1-800-406-2005

Assembling the Blower Tube

See figure 2, page 7

⚠️ WARNING! ⚠️

To avoid serious personal injury, always remove the battery pack from the product when connecting or disconnecting blower tubes.

- Align the notch on the upper blower tube with the raised ribs on the blower housing and push tube on to the blower housing outlet until it is completely seated on the housing.
- Align the notch on the lower blower tube with the raised ribs on the upper blower tube and push the lower tube onto the upper tube until it is completely seated.
- To remove the blower tubes, slide tubes off.

⚠️ WARNING! ⚠️

Do not attempt to modify this product or create accessories or attachments not recommended for use with this product. Any such alteration or modification is misuse and could result in a hazardous condition leading to possible serious personal injury.

OPERATION

⚠️ WARNING! ⚠️

Do not allow familiarity with this product to make you careless. Remember that a careless fraction of a second is sufficient to inflict serious injury.

⚠️ WARNING! ⚠️

Always remove battery pack from product when you are assembling parts, making adjustments, cleaning or when not in use. Removing battery pack will prevent accidental starting that could cause serious personal injury.

⚠️ WARNING! ⚠️

Always wear eye protection with side shields marked to comply with ANSI Z87.1. Failure to do so could result in objects being thrown into your eyes and other possible serious injuries.

⚠️ WARNING! ⚠️

Do not use any attachments or accessories not recommended by the manufacturer of this product. The use of attachments or accessories not recommended can result in serious personal injury.

Applications

You may use this product for the following purpose:

- Clearing leaves and other debris from your hard surfaces.
- Keeping decks and driveways free from grass clippings, leaves, pine needles and other debris.

To Install / Remove Battery Pack

See Figure 3, page 7

To install:

- To install the battery, slide the pack into the body of the product.
- Make sure the latches on each side of the battery pack snap in place and that the battery pack is secured in the blower before beginning operation.

To remove:

- Locate the latches on the side of the battery pack and depress both sides to release the battery pack from the blower.

Charging Battery Pack

See Figure 4, page 8

- Charge the battery fully before first use. This will take up to 3 hours. Due to federal regulations, the battery does not come fully charged.

OPERATION

- Plug the charger into a power outlet.
- Attach the battery pack to the charger by aligning the ribs on the battery pack to the grooves in the charger. Slide the battery pack into the charger.
- When charging, the lights on the battery will illuminate to show the state of charge. The light on the charger will flash.
- If the light on the charger flashes red, there is an error with the battery or the charger. Try again or call customer service for support.
- Once charge is complete, lights on the battery and charger will turn off.
- To remove the battery pack from the charger, press the latches and pull up on the battery pack.

WARNING!

Battery products are always in operating condition. Therefore, switch should always be locked with hands free of the lock-out button when not in use. Remove battery pack when transporting or carrying blower to avoid accidental starting, which may result in serious injury.

Starting/Stopping the Blower

See Figure 5, page 8

- To start the blower, place the ON/OFF switch in the ON (I) position.
- To stop the blower, place the ON/OFF switch in the OFF (O) position.

Operating the Blower

See figure 6, page 8

- To keep from scattering debris, blow around the outer edges of a debris pile. Never blow directly into the center of a pile.
- To reduce sound levels, limit the number of pieces of equipment used at any one time.
- Use rakes and brooms to loosen debris before blowing. In dusty conditions, slightly dampen surfaces when water is available.
- Conserve water by using power blowers instead of hoses for many lawn and garden applications, including areas such as gutters, screens, patios, grills, porches, and gardens.
- Watch out for children, pets, open windows, or freshly washed cars, and blow debris safely away.
- After using blowers or other equipment, clean up! Dispose of debris properly.

MAINTENANCE

WARNING!

To avoid serious personal injury, always remove the battery pack from the product when cleaning or performing any maintenance.

General Maintenance

Avoid using solvents when cleaning plastic parts. Most plastics are susceptible to damage from various types of commercial solvents and may be damaged by their use. Use clean cloths to remove dirt, dust, oil, grease, etc.

This product contains no serviceable parts.

If appliance is not working as it should, has been dropped, damaged, left outdoors or dropped in water, contact customer service at 1.800.406.2005.

WARNING!

Do not at any time let brake fluids, gasoline, petroleum-based products, penetrating oils, etc., come in contact with plastic parts. Chemicals can damage, weaken or destroy plastic which could result in serious personal injury.

Storage

- Clean all foreign material from the blower.
- Store indoors in a secure place that is inaccessible to children. Keep away from corrosive agents such as garden chemicals and de-icing salts.
- Stand upright or lay down to store.

NOTICE

Periodically inspect the entire product for damaged, missing, or loose parts such as screws, nuts, bolts, caps, etc. Tighten securely all fasteners and caps and do not operate this product until all missing or damaged parts are replaced. Please contact customer service or a qualified service center for assistance.

ACCESSORIES

Look for these accessories on Hoover.com or Hoover.ca or call 800-406-2005.

Every ONEPWR battery works with every ONEPWR product.		Parts and Accessories:	
Battery:	Model #	Charger	BH05000
2.0 Ah	BH15020		
3.0 Ah	BH15030		
3.0 Ah MAX	BH25030		
4.0 Ah	BH15240		
4.0 Ah MAX	BH25040		
6.0 Ah	BH15260		

SERVICE AND WARRANTY

SERVICE INFORMATION & LIMITED WARRANTY FOR HOOVER® ONEPWR PRODUCTS

If you require warranty assistance or have questions about your Hoover ONEPWR product, contact Hoover Customer Service. For service in the U.S. or Canada, dial 800.406.2005.

Costs of any shipping and/or transportation to and from any place of repair are to be paid by the owner. Identify your product by the model number and manufacturing code when requesting information or ordering replacement parts. (The model number and manufacturing code for the product appears on the top of the lid and on the back of the charger). **LIMITED THREE YEAR WARRANTY (DOMESTIC USE)**

WHAT THIS LIMITED WARRANTY COVERS: This limited warranty provided by Royal Appliance Mfg. Co., doing business as TTI Floor Care North America (referred to hereafter as "Hoover") applies only to products purchased in the U.S. (including its territories and possessions), a U.S. Military Exchange, or Canada. When used and maintained in normal household use and in accordance with the Owner's Guide, your Hoover® product and battery are warranted against original defects in material and workmanship for three years from the date of original purchase (the "Warranty Period"). If Hoover determines that the issue you are experiencing is covered under the terms of the product warranty (a "covered warranty claim"), we will, at our sole discretion and free of charge (subject to the cost of shipping), either repair your product or ship you a replacement product, subject to availability. Parts and replacements may be new, refurbished, lightly used, or remanufactured, in Hoover's sole discretion. If parts and replacements are unavailable, we may, at our discretion, provide a similar product of equal or greater value, a store credit (if applicable), or a refund of the actual purchase price at the time of the original purchase, as reflected on the original sales receipt.

WHO THIS LIMITED WARRANTY COVERS: This limited warranty extends only to the original retail purchaser, with original proof of purchase from Hoover or an authorized dealer of Hoover products, in the U.S., U.S. Military Exchanges, and Canada.

HOW TO MAKE A WARRANTY CLAIM: If this product is not as warranted, contact Hoover Customer Service. Please have available the proof of purchase and model number for the warranted product.

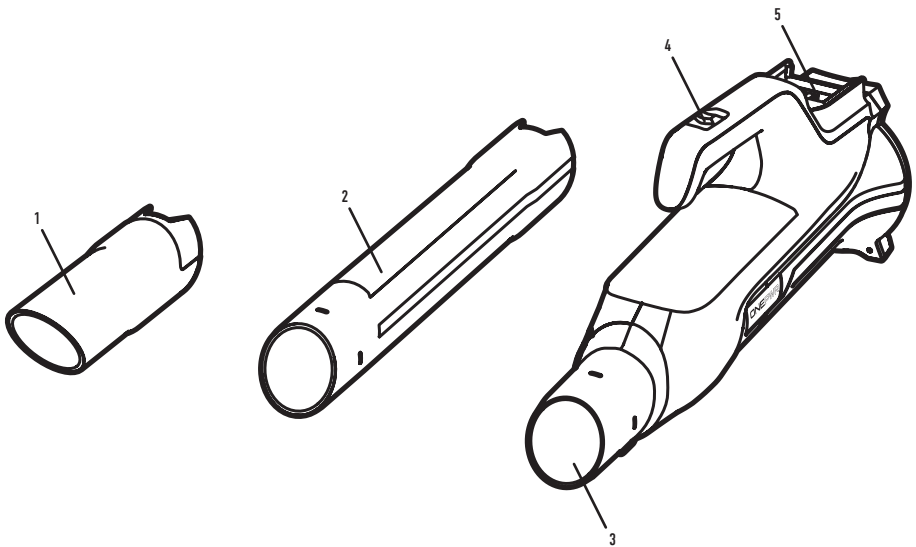
WHAT THIS LIMITED WARRANTY DOES NOT COVER: This warranty does not cover use of the product in a commercial operation (such as maid, janitorial, and equipment rental services, or any other income-generating activity); improper maintenance of the product; the product if it has been subject to misuse, negligence, neglect, vandalism, or the use of voltages other than that on the data plate of this product. This warranty does not cover damage resulting from an act of God, accident, owner's acts or omissions, service of this product by other than Hoover or a Hoover authorized service provider (if applicable), or other acts beyond the control of Hoover. This warranty also does not cover use outside the country in which the product was initially purchased, or resale of the product by the original owner. Pick-up, delivery, transportation, and house calls are not covered by this warranty. In addition, this warranty does not cover any product that has been altered or modified; repairs made necessary by normal wear; or the use of parts or accessories which are either incompatible with the Hoover product or adversely affect its operation, performance, or durability. Normal wear items that are not covered under this warranty include, but are not limited to, belts, filters, brush rolls, blower fans, blower and vacuum tubes, and vacuum bags and straps.

Please call Hoover Customer Service at 800.406.2005, for information on how to ship this product. This warranty does not apply to products purchased outside the United States, a U.S. Military Exchange, or Canada.

OTHER IMPORTANT TERMS: This warranty is not transferable and may not be assigned; any assignment made in contravention of this prohibition is void. This warranty shall be governed and construed under the laws of the state of North Carolina. The Warranty Period will not be extended by any replacement of batteries or parts or repair performed under this warranty.

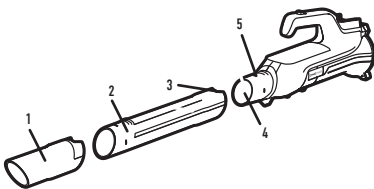
THIS WARRANTY IS THE EXCLUSIVE WARRANTY AND REMEDY, AND ALL EXPRESS AND IMPLIED WARRANTIES OTHER THAN THE LIMITED WARRANTY SET FORTH ABOVE, INCLUDING IMPLIED WARRANTIES OF MERCHANTABILITY AND FITNESS FOR A PARTICULAR PURPOSE, ARE EXPRESSLY DISCLAIMED. IN NO EVENT WILL HOOVER BE LIABLE FOR ANY SPECIAL, INDIRECT, INCIDENTAL OR CONSEQUENTIAL DAMAGES OF ANY KIND OR NATURE TO OWNER OR ANY PARTY CLAIMING THROUGH OWNER, WHETHER BASED IN CONTRACT, NEGLIGENCE, TORT, OR STRICT PRODUCTS LIABILITY OR ARISING FROM ANY CAUSE WHATSOEVER. TO THE EXTENT PERMITTED BY APPLICABLE LAW, NO WARRANTIES THAT ARISE BY OPERATION OF LAW, IF APPLICABLE, SHALL EXCEED THE DURATION OF THE LIMITED WARRANTY PROVIDED HEREIN. HOOVER'S LIABILITY FOR DAMAGES TO YOU FOR ANY COSTS WHATSOEVER ARISING OUT OF THIS STATEMENT OF LIMITED WARRANTY SHALL BE LIMITED TO THE AMOUNT PAID FOR THIS PRODUCT AT THE TIME OF ORIGINAL PURCHASE AND HOOVER SHALL NOT BE LIABLE FOR ANY DIRECT, INDIRECT, CONSEQUENTIAL, OR INCIDENTAL DAMAGES ARISING OUT OF THE USE OR INABILITY TO USE THIS PRODUCT.

Some states do not allow the exclusion or limitation of incidental or consequential damages, disclaimers of implied warranties, or limitations on the duration of implied warranties, so the above exclusions, disclaimers, and/or limitations may not apply to you. This warranty gives you specific legal rights, and you may also have other rights, which vary from state to state.

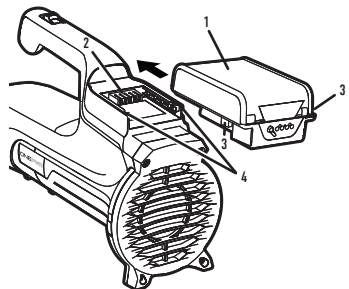
FIG. 1

1. Lower blower tube (inférieur de soufflante, tubo inferior de la sopladora)
2. Upper blower tube (supérieur de soufflante, tubo superior de la sopladora)
3. Blower housing outlet (prise de boîtier de soufflante, salida del alojamiento de la sopladora)

4. On (I)/Off (O) Switch (interrupteur marche/arrêt, interruptore de encendido/apagado)
5. Battery port (logement de batteries, receptáculo para baterías)

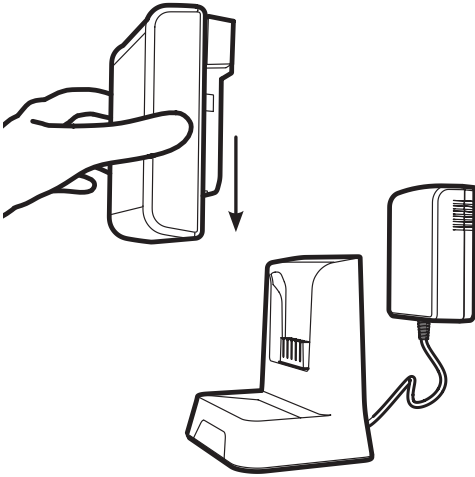
FIG. 2

1. Lower blower tube (inférieur de soufflante, tubo inferior de la sopladora)
2. Upper blower tube (supérieur de soufflante, tubo superior de la sopladora)
3. Notch (fente, ranura)
4. Blower housing outlet (prise de boîtier de soufflante, salida del alojamiento de la sopladora)
5. Raised ribs (nervure en saillie, costillas realizadas)

FIG. 3

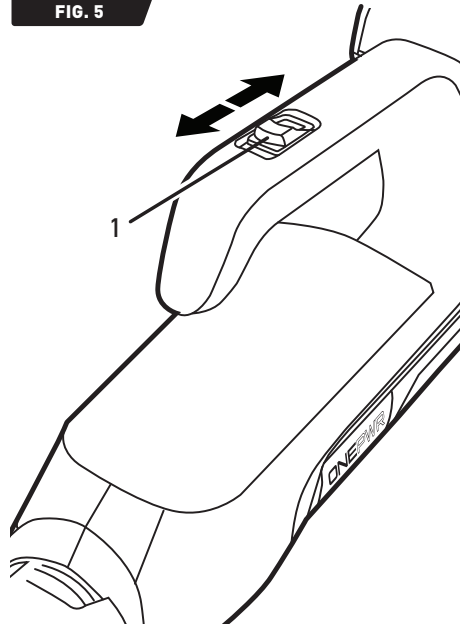
1. Battery pack (bloc-piles, paquete de baterías)
2. Battery port (logement de batteries, receptáculo para baterías)
3. Latch (loquet, pestillo)
4. Raised rib (épaulements surélevés, costillas realizadas)

FIG. 4



1. ONEPWR Battery insertion, ONEPWR insertion de la batterie, inserción de la batería ONEPWR

FIG. 5



1. On (I)/Off (O) switch (interrupteur marche/arrêt, interruttore de encendido/apagado)

FIG. 6



PROPER OPERATING POSITION
BONNE POSITION DE TRAVAIL
POSICIÓN CORRECTA PARA EL MANEJO
DE LA HERRAMIENTA

Bienvenue chez

ONE PWR SYSTEM

Nettoyez plus en profondeur, plus rapidement et plus facilement grâce à la liberté d'un appareil sans fil



PROTÉGER VOTRE ACHAT

Pour enregistrer le produit, accéder à l'adresse URL ci-dessous et suivre les étapes jusqu'à la fin.

[HOOVER.CA/PRODUCT-REGISTRATION](https://www.hoover.ca/product-registration)

CONSIGNES DE SÉCURITÉ IMPORTANTES

CONSERVEZ CES INSTRUCTIONS

- Lorsque vous utilisez des appareils électriques, veuillez toujours respecter entre autres les consignes de sécurité élémentaires suivantes :

VEUILLEZ LIRE TOUTES LES INSTRUCTIONS AVANT D'UTILISER CET APPAREIL

AVERTISSEMENT: POUR RÉDUIRE LES RISQUES D'INCENDIE, D'ÉLECTROCUTION, DE DOMMAGES ET DE BLESSURES

- Assemblez entièrement l'appareil avant de l'utiliser.
- NE PAS exposer à la pluie. Rangez l'appareil à l'intérieur.
- S'habiller convenablement. Éviter de porter des vêtements amples ou des bijoux. Attacher les cheveux longs. Garder les cheveux, les vêtements amples, les doigts ou toute autre partie du corps ou tout autre vêtement à bonne distance des ouvertures et des pièces mobiles. Les vêtements amples, les bijoux et les cheveux longs peuvent rester coincés dans les pièces mobiles internes.
- Éteindre toutes les commandes avant de retirer le bloc-piles du produit.
- Ne pas travailler hors de portée. Garder les deux pieds stables et rester en équilibre en tout temps. Une position stable et un bon équilibre assurent une meilleure maîtrise du produit dans les situations inattendues. Ne pas utiliser d'échelle ou de support instable.
- Utiliser le matériel de sécurité. Un masque antipoussières doit être utilisé dans les conditions appropriées.
- Ne permettez pas aux enfants de jouer avec l'appareil. Cet appareil ne doit pas être utilisé par des enfants de moins de 12 ans. Exercer une étroite surveillance lorsque l'appareil est utilisé par des enfants ou à proximité d'enfants. Gardez l'appareil hors de la portée des enfants et ne laissez pas ces derniers introduire leurs doigts ou d'autres objets dans aucune ouverture afin d'éviter les blessures ou les bris.
- Utilisez l'appareil uniquement aux fins décrites dans le présent guide. Utilisez uniquement les accessoires et produits recommandés par le fabricant.
- Pour réduire les risques d'incendie ou d'explosion, ne laissez pas le produit en marche sans surveillance. Arrêtez immédiatement l'unité si elle présente des signes de fonctionnement anormal.
- N'utilisez pas le chargeur si la fiche ou le cordon est endommagé. Si l'appareil ou le chargeur ne fonctionne pas comme il le devrait, est tombé, est endommagé, a été laissé à l'extérieur ou a pris l'eau, communiquer avec le service à la clientèle au 1-800-406-2005.
- Ne pas manipuler le chargeur, y compris la fiche et les bornes, avec les mains mouillées.
- Ne tirez pas ni ne transportez le chargeur par le cordon, n'utilisez pas le cordon comme une poignée, ne coinciez pas le cordon dans l'embrasure d'une porte et ne l'appuyez pas contre des arêtes tranchantes ou des coins. Ne placez pas l'appareil sur le cordon. Ne faites pas rouler l'appareil sur le cordon. Tenez le cordon éloigné des surfaces chaudes.
- Ne débranchez pas le chargeur en tirant sur le cordon. Pour débrancher le chargeur, tirez sur la fiche.
- Redoublez de prudence lorsque vous utilisez l'appareil dans un escalier. Pour éviter tout dommage ou blessure et empêcher l'appareil de tomber, placez toujours ce dernier au bas des escaliers, sur le plancher. Ne placez pas l'appareil sur les marches d'un escalier ou sur un

meuble, car cela peut entraîner des dommages ou des blessures.

- Ne pas introduire d'objets dans les ouvertures d'aération. N'utilisez pas l'appareil si les ouvertures sont obstruées. Retirer des ouvertures la poussière, les peluches, les cheveux ou tout ce qui est susceptible de réduire le débit d'air.
- NE JAMAIS souffler de matières qui brûlent ou qui dégagent de la fumée, comme des charbons chauds, des mégots de cigarette, des allumettes, des cendres qui brûlent ou dégagent de la fumée, etc.
- NE PAS utiliser à proximité de liquides inflammables ou combustibles, comme de l'essence.
- N'incinez pas le chargeur, la pile ou l'appareil mêmes s'ils sont gravement endommagés. La pile peut exploser au feu.
- Il n'est pas nécessaire de brancher l'appareil dans une prise électrique; il est donc toujours en état de fonctionnement. Être conscient des dangers possibles lors de l'utilisation de l'appareil ou du remplacement des accessoires.

⚠ AVERTISSEMENT! ⚠

RISQUE D'INCENDIE, DE DOMMAGES MATÉRIELS ET DE BLESSURES. NE JAMAIS EXPOSER VOTRE BLOC-PILES, VOTRE CHARGEUR OU VOTRE APPAREIL À DE L'EAU, DE L'HUMIDITÉ OU DES LIQUIDES, Y COMPRIS, SANS S'Y LIMITER, LES LIQUIDES CORROSIFS OU CONDUCTEURS, NI LAISSER LES LIQUIDES S'INFILTRER DANS CES ARTICLES.

Les liquides corrosifs ou conducteurs, comme l'eau salée, le chlore, certains produits chimiques industriels, les agents de blanchiment, les produits contenant des agents de blanchiment, etc., peuvent causer un court-circuit dans le bloc-piles. Si le bloc-piles est exposé à un liquide corrosif ou conducteur, ne pas tenter de l'utiliser ou de le charger. Effectuer immédiatement les étapes ci-dessous :

- Porter le matériel de protection individuelle approprié, dont des lunettes de protection et des gants en caoutchouc.
 - Placer le bloc-piles exposé dans un grand seau, comme un seau de 5 gallons ou d'une capacité similaire, et le remplir d'eau du robinet. Éviter de placer plus de deux blocs dans le seau.
 - Placer le seau à l'extérieur dans un endroit hors de la portée des enfants et des animaux, loin des bâtiments, des garages, des remises, des structures, des véhicules et des matériaux combustibles ou inflammables.
 - Laisser le ou les blocs-piles dans le seau rempli d'eau du robinet et communiquer avec le service à la clientèle au 1 800 406-2005 pour obtenir des directives supplémentaires sur l'élimination adéquate du ou des blocs-piles exposé(s).
- Retirez la batterie lorsque le produit n'est pas utilisé et avant l'entretien.
 - Utiliser la pile avec le chargeur indiqué uniquement. Utiliser avec des piles au lithium-ion ONEPWR Hoover; voir la page 15 pour connaître la compatibilité entre les piles et les chargeurs.

CONSIGNES DE SÉCURITÉ IMPORTANTES

CONSERVEZ CES INSTRUCTIONS

- Recharger la pile à l'aide du chargeur précisé par le fabricant uniquement. Le chargeur adéquat pour un type de bloc-piles présente un risque d'incendie s'il est utilisé avec un bloc-piles différent. Ne pas utiliser le chargeur à l'extérieur.
- Utiliser l'appareil uniquement avec les blocs-piles spécialement désignés à cet effet. L'utilisation de tout autre bloc-piles présente un risque de blessure et d'incendie.
- Lorsque le bloc-piles n'est pas utilisé, le tenir à l'écart d'autres objets métalliques tels que : trombones, pièces de monnaie, clés, clous, vis ou autres petits objets métalliques qui peuvent établir une connexion entre les deux bornes. Court-circuiter les bornes de la pile ensemble présente des risques d'étincelles, de brûlures ou d'incendie.
- Toujours retirer le bloc-piles de l'appareil avant d'assembler des pièces, d'effectuer des réglages, de changer d'accessoires ou d'entreposer ou de nettoyer le produit ou lorsqu'il n'est pas utilisé. Le retrait du bloc-piles permet de prévenir les démarrages accidentels qui pourraient causer des blessures graves.
- Ne pas utiliser un bloc-piles ou un appareil qui est endommagé ou qui a été modifié. Le fonctionnement des batteries endommagées ou modifiées peut être imprévisible et présenter des risques d'incendie, d'explosion ou de blessures.
- Ne modifiez ni l'appareil ni le bloc-piles et ne tentez pas de les réparer, sauf dans la mesure indiquée dans les présentes instructions quant à leur utilisation et à l'entretien requis.
- Pour réduire les risques d'explosion et de blessures graves, ne jamais utiliser le bloc-piles ou n'importe quel appareil sans fil en présence d'une flamme nue ou de températures supérieures à 129 °C (265 °F) ni exposer ces produits à de tels éléments. Une pile qui explose peut propulser des débris et des produits chimiques. En cas d'exposition à ces éléments, rincer à l'eau immédiatement.
- Prévenez les mises en marche non intentionnelles. S'assurer que l'interrupteur est en position d'arrêt avant de connecter l'appareil à la source d'alimentation ou au bloc-piles ou de ramasser ou de transporter l'appareil. Transporter des appareils à pile en gardant les doigts près de l'interrupteur ou mettre sous tension des appareils à pile pendant que l'interrupteur est en position de marche sont deux situations qui présentent des risques d'accident.
- Dans des conditions extrêmes, un liquide pourrait être expulsé de la batterie. En cas de contact accidentel, rincez les régions touchées avec de l'eau. En cas de contact avec les yeux, rincez-les avec de l'eau et demandez une assistance médicale. Le liquide expulsé de la batterie peut être une source d'irritation ou de brûlures.
- Ne pas charger la pile dans un endroit humide ou mouillé. Ne pas utiliser, entreposer ou recharger le bloc-piles ou l'appareil dans des endroits où la température est inférieure à 10 °C (50 °F) ou supérieure à 38 °C (100 °F). Ne pas entreposer à l'extérieur ou dans un véhicule.
- Éviter de ranger ou de charger la pile à l'extérieur ou sur des surfaces les surfaces. N'exposez pas l'appareil à l'eau ou à l'humidité.
- Suivez toutes les instructions portant sur la recharge. Ne rechargez pas le bloc-piles ni l'appareil à des températures autres que celles indiquées dans ces instructions. Toute recharge inappropriée ou à des températures hors de la plage indiquée présente des risques d'endommager la pile en plus d'augmenter les risques d'incendie.
- Protéger les poumons. Porter un masque facial ou antipoussières si l'utilisation dégage de la poussière. Le respect de cette règle permet de réduire le risque de blessures graves.
- Vérifier les signes de désaxage ou de coincage des pièces mobiles, de bris des pièces ou de toute autre condition qui pourrait nuire au fonctionnement du produit. Si l'appareil est endommagé, communiquer avec le service à la clientèle avant de l'utiliser. De nombreux accidents sont causés par des produits mal entretenus.
- Utiliser uniquement les accessoires qui sont recommandés par le fabricant pour le modèle en question. Les accessoires qui peuvent convenir à un produit pourraient présenter un risque de blessures s'ils sont utilisés sur un autre produit.
- Éviter tout contact entre l'essence, l'huile, les produits à base de pétrole, etc. et les pièces de plastique. Ils contiennent des produits chimiques qui peuvent endommager, affaiblir ou détruire le plastique.
- Ce produit est destiné à un usage domestique seulement. La garantie est NULLE si l'appareil est utilisé à des fins commerciales.
- Ce produit ne contient pas de pièces réparables.
- Conserver ces instructions. Les consulter fréquemment et les utiliser pour enseigner le fonctionnement de l'appareil aux autres personnes susceptibles de l'utiliser. Ce produit doit être prêté avec ces instructions.
- Rangez le produit après chaque utilisation pour éviter les accidents de trébuchement.

MISE EN GARDE - Pour réduire les risques de dommage :

Rangez l'appareil adéquatement à l'intérieur et dans un endroit sec. N'exposez pas l'appareil à des conditions de gel.

CONSIGNES DE SÉCURITÉ IMPORTANTES CONSERVEZ CES INSTRUCTIONS

AVERTISSEMENT CONCERNANT L'ÉLIMINATION DE LA PILE: RISQUE D'EXPLOSION OU D'EXPOSITION AUX MATIÈRES TOXIQUES.

BATTERIE AU LITHIUM-ION

La pile doit être recueillie, recyclée ou éliminée dans le respect de l'environnement. Le sceau de recyclage des batteries au lithium-ion de la RBRC certifié par l'EPA indique que Techtronic Industries, société affiliée à Hoover, Inc., participe volontairement à un programme de collecte et de recyclage des batteries usagées au Canada et aux États-Unis. Le programme de recyclage de la RBRC offre une solution de rechange pratique qui permet d'éviter que les piles soient jetées à la poubelle ou dans les ordures ménagères municipales, ce qui pourrait être illégal dans votre région. Visitez le www.rbrc.org/call2recycle/ pour obtenir de plus amples renseignements sur le recyclage des piles au lithium-ion ainsi que sur les interdictions et les restrictions relatives à l'élimination de ces piles dans votre région. La participation de Hoover, Inc. à ce programme témoigne de son engagement à protéger l'environnement et les ressources naturelles.



DES QUESTIONS OU DES PRÉOCCUPATIONS?

Communiquez avec nous :
Hoover.com/support ou Hoover.ca/support
1-800-406-2005

Suivez-nous :
Twitter: @HooverUSA
Facebook: facebook.com/hover

Ne retournez pas le produit en magasin. Le numéro de modèle se trouve sur le dessus du couvercle.

SYMBOLS

Certains des symboles suivants peuvent être utilisés sur ce produit. Veuillez les étudier et apprendre leur signification. Correcte l'interprétation de ces symboles vous permettra d'utiliser le produit plus efficacement et en toute sécurité.

SYMBOL

PRÉNOM

DÉSIGNATION / EXPLICATION



Protection oculaire et
auditive

Portez toujours une protection oculaire avec des protections latérales marquées conforme à la norme ANSI Z87.1 avec une protection auditive lorsque vous utilisez cet équipement.

Déballage

Ce produit nécessite un assemblage.

Retirer doucement le produit et tous les accessoires de la boîte. S'assurer que tous les articles énumérés sur la boîte sont inclus.

⚠ AVERTISSEMENT! ⚠

Do not use this product if it is not completely assembled or if any parts appear to be missing or damaged. Use of a product that is not properly and completely assembled or with damaged or missing parts could result in serious personal injury.

- Inspecter soigneusement le produit pour s'assurer qu'aucun bris ou dommage n'est survenu pendant l'expédition.
- Ne pas mettre le matériel d'emballage au rebut avant d'avoir soigneusement inspecté et utilisé le produit.

Si des pièces sont endommagées ou manquantes, veuillez composer le 800 406-2005.

Assemblage du tuyau du souffleur

Voir la figure 2, à la page 7

⚠ AVERTISSEMENT! ⚠

Pour éviter les blessures graves, toujours retirer le bloc-piles du produit avant de raccorder ou de débrancher le tuyau du souffleur.

- Alignez l'encoche du tube de ventilateur supérieur avec les nervures surélevées du boîtier de ventilateur et poussez le tube sur la sortie du boîtier de ventilateur jusqu'à ce qu'il soit complètement installé sur le boîtier.
- Aligner l'encoche sur le tuyau inférieur du souffleur avec les rainures en saillie sur le tuyau supérieur du souffleur et pousser le tuyau inférieur dans le tuyau supérieur jusqu'à ce qu'il soit complètement engagé.
- Pour retirer les tuyaux du souffleur, faire glisser les tuyaux hors du souffleur.

⚠ AVERTISSEMENT! ⚠

Ne pas tenter de modifier ce produit ou de créer des accessoires ou des pièces qui ne sont pas recommandés pour être utilisés avec ce produit. Une telle modification est une utilisation inappropriée et pourrait engendrer une situation dangereuse pouvant entraîner des blessures graves.

UTILISATION

⚠ AVERTISSEMENT! ⚠

Ne soyez pas imprudent parce que vous connaissez ce produit. Il ne faut pas oublier qu'une fraction de seconde de négligence est suffisante pour infliger des blessures graves.

⚠ AVERTISSEMENT! ⚠

Toujours retirer le bloc-piles du produit lorsque vous assemblez les pièces, effectuez des ajustements, nettoyez le produit ou n'utilisez pas le produit. Le retrait du bloc-piles permettra de prévenir la mise en marche accidentelle qui pourrait provoquer des blessures graves.

⚠ AVERTISSEMENT! ⚠

Toujours porter des lunettes de protection avec écrans latéraux conformes à la norme Z87.1 de l'ANSI. Si vous manquez à cette directive, des objets pourraient être projetés dans vos yeux et d'autres blessures graves pourraient survenir.

⚠ AVERTISSEMENT! ⚠

Ne pas utiliser des accessoires ou des pièces qui ne sont pas recommandés par le fabricant de ce produit. L'utilisation d'accessoires ou de pièces qui ne sont pas recommandées peut entraîner des blessures graves.

Applications

Vous pouvez utiliser ce produit pour les applications suivantes :

- Enlever les feuilles et autres débris de vos surfaces dures.
- Retirer les tontes de gazon, les feuilles, les aiguilles de pin et d'autres débris des terrasses et des entrées de cour.

Pour installer / retirer le bloc-piles

Voir la figure 3, à la page 7

Pour l'installer :

- Pour installer la pile, faire glisser le bloc dans le corps de l'outil.
- S'assurer que les loquets de chaque côté du bloc-piles s'enclenchent en place et que le bloc-piles est bien fixé dans le souffleur avant de commencer à l'utiliser.

Pour le retirer :

- Repérer les loquets sur le côté du bloc-piles et appuyer sur les deux côtés pour dégager le bloc-piles du souffleur.

Charger le bloc-piles

Voir la figure 4, à la page 8

- Effectuez une charge complète de la pile avant la première utilisation. La durée de charge est d'environ 3 heures. En raison des règlements fédéraux, la pile n'est pas complètement chargée au moment de l'achat.

- Brancher le chargeur dans une prise électrique.
- Fixer le bloc-piles au chargeur en alignant les rainures en saillie sur le bloc-piles avec les rainures du chargeur. Faire glisser le bloc-piles dans le chargeur.
- Pendant la charge, les voyants de la pile s'allument pour indiquer l'état de la charge. Le voyant du chargeur clignote.
- Si le voyant du chargeur clignote en rouge, une erreur s'est produite avec la pile ou le chargeur. Réessayer ou communiquer avec le service à la clientèle pour obtenir de l'aide.
- Une fois la charge terminée, les voyants de la pile et du chargeur s'éteindront.
- Pour retirer le bloc-piles du chargeur, appuyer sur les loquets et tirer sur le bloc-piles vers le haut.

⚠ AVERTISSEMENT! ⚠

Les produits de la pile sont toujours en état de marche. Par conséquent, l'interrupteur doit toujours être verrouillé avec la fonction mains libres du bouton de verrouillage lorsque le produit n'est pas utilisé. Retirer le bloc-piles lorsque vous transportez le souffleur pour éviter de le mettre accidentellement en marche, ce qui peut causer des blessures graves.

Mettre en marche / éteindre le souffleur

Voir la figure 5, à la page 8

- Pour mettre le souffleur en marche, placer l'interrupteur MARCHE / ARRÊT en position MARCHE (1).
- Pour éteindre le souffleur, placer l'interrupteur MARCHE / ARRÊT en position ARRÊT (0).

Utiliser le souffleur

Voir la figure 6, à la page 8

- Afin d'éviter de disperser les débris, souffler en périphérie d'un tas. Ne jamais souffler directement dans le centre d'un tas.
- Pour réduire les niveaux de bruit, limiter le nombre de pièces du matériel utilisées en même temps.
- Utiliser un râteau et un balai pour déloger les débris avant de souffler. En présence de poussière, humidifier légèrement les surfaces lorsque vous avez accès à l'eau.
- Conserver l'eau en utilisant un souffleur électrique à la place de tuyaux d'arrosage pour la plupart des applications relatives à la pelouse et au jardin, y compris les gouttières, les patios avec moustiquaire, les grilles, les porches et les jardins.
- Faire attention aux enfants, aux animaux, aux fenêtres ouvertes ou aux voitures fraîchement lavées et souffler les débris loin d'eux.
- Après avoir utilisé les souffleurs ou d'autre matériel, il faut nettoyer! Mettre correctement les débris au rebut.

ENTRETIEN

⚠ AVERTISSEMENT! ⚠

Pour éviter les blessures graves, toujours retirer le bloc-piles du produit avant de procéder au nettoyage ou à l'entretien.

Entretien général

Éviter les solvants pour le nettoyage des pièces en plastique. La plupart des plastiques sont susceptibles d'être endommagés par divers types de solvants commerciaux et leur utilisation. Utiliser un chiffon propre pour enlever la saleté, la poussière, l'huile, la graisse, etc.

Ce produit ne contient pas de pièces remplaçables.

Si l'appareil ne fonctionne pas comme il se doit et s'il a été échappé, endommagé, laissé à l'extérieur ou échappé dans l'eau, veuillez communiquer avec le service à la clientèle au 1 800 406-2005.

⚠ AVERTISSEMENT! ⚠

Ne jamais faire entrer les pièces en plastique en contact avec des liquides de frein, du carburant, des produits dérivés du pétrole, des huiles pénétrantes, etc. Les produits chimiques peuvent endommager, fragiliser ou détruire le plastique, ce qui pourrait entraîner des blessures graves.

Rangement

- Retirer toute matière étrangère du souffleur.
- Entreposer à l'intérieur dans un endroit sécuritaire, hors de la portée des enfants. Éloigner des agents corrosifs comme les produits chimiques de jardin et les sels de dégivrage.
- Pour le ranger, le mettre en position debout ou le coucher.

⚠ REMARQUER! ⚠

Inspecter régulièrement l'ensemble du produit pour détecter les pièces endommagées, manquantes ou lâches comme les vis, les écrous, les boulons, les capuchons, etc. Bien serrer les fixations et les capuchons et ne pas utiliser ce produit jusqu'à ce que toutes les pièces manquantes ou endommagées soient remplacées. Veuillez communiquer avec le service à la clientèle ou un centre de service qualifié pour obtenir de l'aide.

ACCESSOIRES

On peut trouver ces accessoires en consultant les sites Hoover.com ou Hoover.ca ou en composant le 800-406-2005.

Chaque pile ONEPWR fonctionne avec chaque produit ONEPWR.		Pièces et accessoires :	
Pile:	N° de modèle	Chargeur	BH05000
2.0 Ah	BH15020		
3.0 Ah	BH15030		
3.0 Ah MAX	BH25030		
4.0 Ah	BH15240		
4.0 Ah MAX	BH25040		
6.0 Ah	BH15260		

ENTRETIEN ET GARANTIE

RENSEIGNEMENTS CONCERNANT L'ENTRETIEN ET GARANTIE LIMITÉE POUR LES PRODUITS ONEPWR HOOVER®

Pour toute aide concernant la garantie ou toute question sur le produit ONEPWR Hoover, communiquer avec le service à la clientèle de Hoover. Pour un entretien aux États-Unis ou au Canada, composer le 800 406-2005.

Les frais de transport ou d'expédition à destination et en provenance du centre de réparation sont payés par le propriétaire. Toujours indiquer le numéro de modèle et le code de fabrication de votre produit pour demander des renseignements ou commander des pièces de rechange. (Le numéro de modèle et le code de fabrication de l'appareil se trouvent derrière le vide-poussière et à l'arrière du chargeur.)

GARANTIE LIMITÉE DE DEUX ANS (USAGE DOMESTIQUE)

ÉLÉMENTS COUVERTS PAR LA PRÉSENTE GARANTIE : Cette garantie limitée fournie par Royal Appliance Mfg. Co., exerçant ses activités sous TTI Floor Care North America (appelée « Hoover » ci-après) s'applique uniquement aux produits achetés aux États-Unis (y compris ses territoires et possessions), au Canada et par l'intermédiaire du programme d'échanges militaires américain. Votre produit HOOVERMD et sa pile sont garantis pour des conditions normales d'utilisation et d'entretien domestiques, comme le stipule le Guide d'utilisation, contre les défauts de matériaux et de fabrication pour une période complète de deux ans à compter de la date d'achat (ci-après la « période de garantie »). Si Hoover détermine que le problème que vous rencontrez est couvert en vertu des modalités de la garantie du produit (une « réclamation couverte par la garantie »), nous réparerons alors votre produit ou vous expédierons un produit de rechange, selon la disponibilité des produits, à notre entière discrétion et sans frais (sous réserve du coût d'expédition). Les pièces de rechange peuvent être nouvelles, remises à neuf, légèrement utilisées ou réusinées, à l'entière discrétion de Hoover. Si une pièce ou une pièce de rechange n'est pas disponible, nous pourrions, à notre entière discrétion, fournir un produit de valeur égale ou supérieure, un crédit en magasin (le cas échéant) ou un remboursement équivalant au prix d'achat réel en date de l'achat initial, comme indiqué sur le reçu de vente original.

PERSONNES COUVERTES PAR LA PRÉSENTE GARANTIE : La présente garantie limitée s'applique uniquement à l'acheteur original, avec une preuve d'achat provenant de Hoover ou d'un détaillant autorisé des produits Hoover aux États-Unis, au Canada et par l'intermédiaire du programme d'échanges militaires américain.

RÉCLAMATION AU TITRE DE LA GARANTIE : Si ce produit ne fonctionne pas comme il a été annoncé, communiquer avec le service à la clientèle de Hoover. S'assurer d'avoir en main la preuve d'achat et le numéro de modèle du produit couvert par la garantie.

ÉLÉMENTS NON COUVERTS PAR LA PRÉSENTE GARANTIE : La présente garantie ne couvre pas toute utilisation commerciale du produit (p. ex., utilisation dans le cadre de services ménagers, de conciergerie ou de location de matériel ou de toute autre activité générant un revenu), l'entretien inadéquat du produit, l'utilisation inadéquate du produit, la négligence, les actes de vandalisme ou l'utilisation d'une tension électrique autre que celle indiquée sur la plaque signalétique de ce produit. La présente garantie ne couvre pas les dommages résultant d'un cas de force majeure, d'un accident, d'actes ou d'omission de la part du propriétaire, de l'entretien de ce produit autre que par Hoover ou un fournisseur de service autorisé par Hoover (le cas échéant) ou en raison d'autres actes qui sont hors du contrôle de Hoover. La présente garantie ne couvre pas non plus l'utilisation à l'extérieur du pays d'achat initial du produit ni sa revente par le propriétaire original. La présente garantie ne couvre pas le ramassage, la livraison, le transport et la réparation à domicile. De plus, elle ne couvre pas les produits qui ont été modifiés, les réparations nécessaires en raison de l'usure normale ou l'utilisation de pièces ou d'accessoires qui sont incompatibles avec le produit de Hoover ou qui nuisent à son fonctionnement, à son rendement ou à sa durabilité. Les articles ayant une usure normale qui ne sont pas couverts par cette garantie comprennent, sans s'y limiter, les courroies, les filtres, les rouleaux-brosses, les ventilateurs soufflants, le souffleur et les tuyaux d'aspirateur, les sacs d'aspirateurs et les attaches.

Communiquer avec le service à la clientèle de Hoover au 800 406-2005 pour obtenir des renseignements sur la façon d'expédier ce produit. La présente garantie ne s'applique pas aux produits achetés hors des États-Unis (ce qui comprend ses territoires et possessions), hors du programme d'échanges militaires américain et hors du Canada.

AUTRES CONDITIONS IMPORTANTES : La présente garantie n'est pas transférable et ne peut être cédée; toute cession effectuée en violation de cette interdiction est annulée. La présente garantie sera régie et interprétée selon les lois de l'État de la Caroline du Nord. La Période de garantie ne peut pas être prolongée par une réparation ou un remplacement des piles ou des pièces exécutés en vertu de la présente garantie, quels qu'ils soient.

LA PRÉSENTE GARANTIE EST L'UNIQUE GARANTIE ET RECOURS ET TOUTE GARANTIE EXPLICITE OU IMPLICITE AUTRE QUE LA GARANTIE LIMITÉE PRÉSENTÉE CI-DESSUS, Y COMPRIS LES GARANTIES IMPLICITES DE QUALITÉ MARCHANDE ET DE CONVENANCE À UNE FIN PARTICULIÈRE, EST EXPRESSEMENT DÉCLINÉE. HOOVER NE POURRA EN AUCUN CAS ÊTRE TENUE RESPONSABLE DE TOUS DOMMAGES INTÉRÊTS SPÉCIAUX OU DOMMAGES INDIRECTS, ACCESSOIRES OU CONSÉCUTIFS DE QUELQUE NATURE QUE CE SOIT SUBIS PAR LE PROPRIÉTAIRE DU PRODUIT OU PAR TOUTE PARTIE RÉCLAMANT PAR L'INTERMÉDIAIRE DU PROPRIÉTAIRE, OÙ ILS RELÈVENT DE LA RESPONSABILITÉ CONTRACTUELLE, DE LA NÉGLIGENCE, DE LA RESPONSABILITÉ CIVILE DÉLICTUELLE OU DE LA RESPONSABILITÉ STRICTE DU FAIT DES PRODUITS, OU OÙ ILS DÉCOULENT DE QUELQUE CAUSE QUE CE SOIT. DANS LES LIMITES PERMISES PAR LA LOI APPLICABLE, AUCUNE GARANTIE RÉSULTANT D'UNE THÉORIE JURIDIQUE, LE CAS ÉCHÉANT, NE PEUT DÉPASSER LA DURÉE DE LA GARANTIE LIMITÉE AUX PRÉSENTES. LA RESPONSABILITÉ DE HOOVER À VOTRE ENDROIT POUR TOUS LES COÛTS, QUELS QU'ILS SOIENT, DÉCOULANT DE CETTE DÉCLARATION DE GARANTIE LIMITÉE SE LIMITE AU MONTANT PAYÉ POUR CE PRODUIT AU MOMENT DE L'ACHAT INITIAL. HOOVER NE PEUT ÊTRE TENUE RESPONSABLE DE TOUT DOMMAGE DIRECT, INDIRECT, CONSÉCUTIF OU ACCIDENTEL RÉSULTANT DE L'UTILISATION DE CE PRODUIT OU DE L'IMPOSSIBILITÉ DE L'UTILISER.

Certains États n'autorisent pas l'exclusion ni la restriction des dommages indirects ou accessoires, l'exclusion de garanties implicites ou les limites de durée d'une garantie implicite; par conséquent, les restrictions ou exclusions précédentes peuvent ne pas s'appliquer.

La présente garantie vous donne des droits précis. Vous pouvez également avoir d'autres droits, lesquels varient d'une province à l'autre.

Bienvenido al

ONE PWR SYSTEM

Limpie aún más, más rápido y fácil con libertad inalámbrica



PROTEJA SU COMPRA

Para registrar su producto, vaya a la URL siguiente y siga los pasos hasta finalizar.
[HOOVER.COM/PRODUCT-REGISTRATION](https://www.hoover.com/product-registration)

INSTRUCCIONES DE SEGURIDAD IMPORTANTES

CONSERVE ESTAS INSTRUCCIONES

- Cuando se utilizan aparatos eléctricos, se deben seguir siempre precauciones básicas, incluidas las siguientes:

LEA TODAS LAS INSTRUCCIONES ANTES DE UTILIZAR ESTE APARATO

ADVERTENCIA: PARA DISMINUIR EL RIESGO DE INCENDIO, DESCARGA ELÉCTRICA, DAÑOS O LESIONES:

- Arme la unidad por completo antes de ponerla en funcionamiento.
- NO la exponga a la lluvia. Almacénela en interiores.
- Utilice las prendas adecuadas. No utilice prendas sueltas ni joyas. Átese el pelo largo. Mantenga el cabello, las prendas sueltas, los dedos, y todas las partes del cuerpo y de las prendas, lejos de las aberturas y piezas móviles. Las prendas sueltas, las joyas o el cabello largo pueden quedar atrapados en las piezas móviles internas.
- Apague todos los controles antes de extraer el paquete de baterías del producto.
- No extienda la unidad en exceso. Mantenga el apoyo y el equilibrio adecuados en todo momento. El apoyo y el equilibrio adecuados permiten un mejor control del producto en situaciones inesperadas. No utilice la unidad en una escalera o en un soporte inestable.
- Utilice equipos de seguridad. Debe utilizar una máscara anti-polvo en condiciones adecuadas.
- Evite que se lo utilice como un juguete. Los niños de 12 años o menos no deben utilizar la unidad. Cuando la utilicen niños o se utilice cerca de ellos, será necesario hacerlo bajo una estricta supervisión. Para evitar lesiones o daños, mantenga a los niños alejados del producto y no permita que introduzcan los dedos ni objetos en ninguna de las aberturas del producto.
- Utilice la unidad únicamente según el uso descrito en este manual. Utilice solamente los accesorios y productos recomendados por el fabricante.
- Para reducir el riesgo de incendio o explosión, no deje el producto en funcionamiento mientras está desatendido. Detenga inmediatamente la unidad si muestra signos de funcionamiento anormal.
- No utilice el cargador si el cable o el enchufe se encuentran dañados. Si el aparato o el cargador no funcionan como deben; si se han caído, han sido dañados, dejados a la intemperie o sumergidos en agua, llame al servicio de atención al cliente al 1.800.406.2005.
- No manipule el cargador, incluido el enchufe, ni los terminales del cargador con las manos húmedas.
- No extraiga ni transporte el cargador tomándolo por el cable; no tire del cable, no cierre una puerta con él ni lo enrosque alrededor de bordes o esquinas filosas. No apoye el producto sobre el cable. No pase el aparato por encima del cable. Mantenga el cable lejos de las superficies calientes.
- No desenchufe el cargador tirando del cable. Para desenchufarlo, agarre el enchufe, no el cable.
- Extreme las precauciones cuando limpie en escaleras. Para evitar lesiones o daños físicos, y a fin de evitar que la aspiradora se caiga, colóquela siempre al pie de las escaleras o sobre el suelo. No coloque la aspiradora sobre las escaleras ni sobre un mueble, ya que pueden generarse lesiones o daños.
- No coloque ningún objeto en las aberturas de las ventilaciones. No utilice la unidad si alguna de sus aberturas se encuentra bloqueada. Manténgalas libres de polvo, pelusas, cabello y cualquier otro elemento que pueda disminuir el flujo de aire.
- NUNCA sople materiales que puedan quemarse o generar humo, como carbón caliente, colillas de cigarrillos, fósforos, cenizas calientes o humeantes, etc.
- NO utilice la unidad en áreas en donde pueda haber líquidos inflamables o combustibles, tales como gasolina.
- No incinere el cargador, la batería ni el aparato, aun si estuvieran muy dañados. Las baterías pueden explotar y provocar un incendio.
- El producto no tiene que estar enchufado a un tomacorriente, por lo tanto, siempre está en condiciones de funcionamiento. Tenga en cuenta los posibles peligros al utilizar el producto o cuando cambie los accesorios.

¡ADVERTENCIA!

RIESGO DE INCENDIO, DAÑOS A LA PROPIEDAD Y LESIONES. NUNCA EXPONGA EL PAQUETE DE BATERÍAS, EL CARGADOR O LA UNIDAD AL AGUA, LA HUMEDAD O LOS LÍQUIDOS, INCLUIDOS, ENTRE OTROS, LOS LÍQUIDOS CORROSIVOS O CONDUCTORES, NI PERMITA QUE LOS LÍQUIDOS FLUYAN DENTRO DE ESTOS ELEMENTOS.

Los líquidos corrosivos o conductores, como el agua salada, el cloro, ciertos productos químicos industriales, y la lavandina o los productos a base de lavandina, etc., pueden provocar un cortocircuito en el paquete de baterías. Si el paquete de baterías se expone a un líquido corrosivo o conductor, no intente usar ni cargar el paquete de baterías, y realice los pasos siguientes de inmediato:

- Utilice el equipo personal protector adecuado, incluida protección ocular y guantes de goma.
- Coloque el paquete de baterías expuesto en un cubo grande, como un cubo de 5 galones (18 litros) o similar, y llene el cubo con agua corriente común. No coloque más de dos paquetes en el cubo.
- Coloque el cubo en exteriores, en una zona inaccesible para los niños y las mascotas, y lejos de edificios, garajes/cobertizos, estructuras, vehículos y materiales combustibles/inflamables.
- Deje el paquete de baterías en el cubo lleno con agua corriente y llame al Servicio de atención al cliente al 1-800-406-2005 para obtener instrucciones adicionales para desechar correctamente los paquetes de baterías expuestos.

INSTRUCCIONES DE SEGURIDAD IMPORTANTES

CONSERVE ESTAS INSTRUCCIONES

- Retire la batería cuando el producto no esté en uso y antes del mantenimiento.
- Use la batería solo con el cargador adecuado. Para usar la unidad con baterías de iones de litio ONEPWR de Hoover, consulte la página 22 para ver la compatibilidad de baterías y cargadores.
- Recargue la unidad solo con el cargador especificado por el fabricante. Un cargador adaptado para un tipo de paquete de baterías puede crear un riesgo de incendio cuando se lo utiliza con otro paquete de baterías. No utilice el cargador en exteriores.
- Use el producto solo con los paquetes de baterías diseñados específicamente. El uso de un paquete de baterías distinto puede crear un riesgo de lesiones e incendios.
- Cuando el paquete de baterías no esté en uso, manténgalo alejado de otros objetos de metal, como: sujetadores de papeles, monedas, llaves, clavos, tornillos u otros objetos metálicos pequeños que puedan realizar una conexión desde un terminal al otro. Si se produce un cortocircuito entre los terminales, se pueden generar chispas, quemaduras o incendios.
- Siempre retire el paquete de baterías del producto cuando esté armando piezas, antes de realizar ajustes, cambiar accesorios, almacenar el producto, limpiarlo, o cuando no esté en uso. La extracción del paquete de baterías evitará el arranque accidental, que puede provocar lesiones personales graves.
- No use un paquete de baterías o un producto que esté dañado o se haya modificado. Las baterías dañadas o modificadas pueden exhibir un comportamiento impredecible que puede provocar incendios, explosiones o riesgo de lesiones.
- No modifique ni intente reparar el aparato o el paquete de baterías, excepto como se indica en las instrucciones de uso y mantenimiento.
- Para reducir el riesgo de explosión y lesiones personales graves, nunca use ni exponga el paquete de baterías o cualquier producto inalámbrico en la presencia de una llama abierta o a temperaturas superiores a 265 °F (130 °C). Una batería que explota puede derramar desechos y productos químicos. En caso de exposición, lave con agua inmediatamente.
- Evite el encendido accidental. Asegúrese de que el interruptor esté en la posición de apagado antes de conectar la fuente de alimentación y/o el paquete de baterías, de levantar o de transportar el artefacto. Transportar productos de baterías con su dedo en el interruptor o conectar productos de baterías con el interruptor encendido puede provocar accidentes.
- Bajo condiciones severas, puede eyectarse líquido desde la batería. Evite el contacto. Si sucede un contacto accidental, lávese con agua. Si el líquido entra en contacto con los ojos, busque asistencia médica adicional. El líquido eyectado desde la batería puede provocar irritación o quemaduras.
- No cargue la batería en un sumidero o en un lugar húmedo. No use, almacene ni cargue paquetes o productos de baterías en lugares donde la temperatura sea inferior a 50 °F (10 °C) o superior a 100 °F (37 °C). No lo almacene en exteriores ni en vehículos.
- No cargue la batería en exteriores o en superficies mojadas ni almacene la unidad en dichos lugares. Evite que la unidad se moje.
- Siga todas las instrucciones de carga y no cargue el paquete de baterías ni el aparato fuera del rango de temperaturas especificado en las instrucciones. La carga incorrecta o a temperaturas que estén fuera del rango especificado puede dañar la batería y aumentar el riesgo de incendios.
- Proteja sus pulmones. Utilice una máscara antipolvo si la operación emite mucho polvo. Si respeta esta regla, se reducirá el riesgo de lesiones personales graves.
- Revise si existe falta de alineación o si se unen las piezas móviles, si hay piezas rotas, y cualquier otra condición que pueda afectar el funcionamiento del producto. Si encuentra daños, llame al servicio de atención al cliente antes del uso. Los productos con mantenimiento insuficiente pueden provocar gran cantidad de accidentes.
- Utilice solo los accesorios recomendados por el fabricante para su modelo. Los accesorios que puedan ser adecuados para un producto pueden generar un riesgo de lesiones cuando se utilizan en otro.
- No permita que los productos basados en gasolina, aceites, petróleo, etc. entren en contacto con las piezas plásticas. Contienen productos químicos que pueden dañar, debilitar o destruir el plástico.
- Este producto tiene como fin un uso doméstico únicamente. Si se lo utiliza con fines comerciales, la garantía quedará ANULADA.
- Este producto no contiene piezas que el usuario pueda reparar.
- Conserve estas instrucciones. Consúltelas con frecuencia y úselas para instruir a otras personas que puedan usar este producto. Si presta este producto a otra persona, préstele también estas instrucciones.
- Guarde el producto después de cada uso para evitar accidentes por tropiezos.

INSTRUCCIONES DE SEGURIDAD IMPORTANTES

CONSERVE ESTAS INSTRUCCIONES

PRECAUCIÓN - Para disminuir el riesgo de daños:

Evite aspirar objetos duros y filosos con este producto, ya que pueden dañarlo.

Almacénelo apropiadamente en interiores, en un lugar seco. No exponga la máquina a temperaturas bajo cero.

No utilice objetos filosos para limpiar la manguera, ya que pueden dañar la unidad.

ADVERTENCIA SOBRE LA ELIMINACIÓN DE LA BATERÍA:
RIESGO DE EXPLOSIÓN O EXPOSICIÓN A MATERIAL TÓXICO

BATERÍAS DE IONES DE LITIO

La batería se debe recolectar, reciclar o desechar de una forma que no sea perjudicial para el medio ambiente. El Sello de Reciclado de Baterías RBRC certificado por la Agencia de Protección Ambiental (EPA, por sus siglas en inglés) que se encuentra en la batería de iones de litio (Li-ion) indica que Techtronic Industries, una filial de la empresa de Hoover, Inc., participa voluntariamente en un programa industrial para recolectar y reciclar estas baterías al final de su vida útil, cuando se sacan de servicio, en Estados Unidos o Canadá. El programa RBRC proporciona una buena alternativa a desechar las baterías de iones de litio utilizadas en la basura o en caudales de residuos municipales, lo que puede ser ilegal en su área. Visite la página www.rbrc.org/call2recycle/ para obtener información sobre las prohibiciones/restricciones en su área, en relación con el reciclado y desecho de las baterías de iones de litio. La participación de Hoover, Inc. en este programa es parte de nuestro compromiso con la preservación de nuestro medio ambiente y la conservación de nuestros recursos naturales.



¿TIENE PREGUNTAS O INQUIETUDES?

Póngase en contacto con nosotros:
Hoover.com/support or Hoover.ca/support
800-406-2005

Comuníquese con nosotros:

Twitter: @HooverUSA

Facebook: [facebook.com/hoover](https://www.facebook.com/hoover)

No devuelva la unidad a la tienda. Vea la parte superior de la tapa para consultar el número de modelo.

SÍMBOLOS

Algunos de los siguientes símbolos pueden usarse en este producto. Por favor estudie y aprenda su significado. La interpretación correcta de estos símbolos le permitirá operar el producto mejor y más seguro.

SÍMBOLO

NOMBRE

DESIGNACIÓN / EXPLICACIÓN



Protección ocular y
auditiva

Siempre use protección para los ojos con protectores laterales marcados para cumplir con ANSI Z87.1 junto con protección auditiva cuando opere este equipo.

Desembalado

Este producto requiere ensamblaje

Retire cuidadosamente el producto y los accesorios de la caja. Asegúrese de que estén incluidos todos los elementos mencionados en la caja.

⚠ ¡ADVERTENCIA! ⚠

No utilice este producto si no está completamente ensamblado o si tiene piezas dañadas o faltantes. El uso de un producto que no está ensamblado en forma correcta y completa o que tiene piezas dañadas o faltantes puede provocar lesiones personales graves.

- Inspeccione el producto con cuidado para asegurarse de que no se hayan producido roturas o daños durante el envío.
- No deseche el material de embalaje hasta haber inspeccionado con cuidado el producto y hacerlo funcionar.

Si hay piezas dañadas o faltantes, llame al 800- 406-2005.

Assemblage du tuyau du souffleur

Voir la figure 2, à la page 7

⚠ ¡ADVERTENCIA! ⚠

Para evitar lesiones personales graves, siempre extraiga el paquete de baterías del producto cuando conecte o desconecte al tubo soplador.

- Alinee la muesca en el tubo del soplador superior con las costillas elevadas en la carcasa del soplador y empuje el tubo en la salida de la carcasa del soplador hasta que esté completamente asentado en la carcasa.
- Aligner l'encoche sur le tuyau inférieur du souffleur avec les rainures en saillie sur le tuyau supérieur du souffleur et pousser le tuyau inférieur dans le tuyau supérieur jusqu'à ce qu'il soit complètement engagé.
- Para extraer los tubos sopladores, deslícelos hacia afuera.

⚠ ¡ADVERTENCIA! ⚠

No intente modificar este producto ni crear accesorios o conexiones no recomendados para usar con este producto. Cualquier alteración o modificación se considera uso indebido y puede provocar una condición peligrosa que provoque lesiones personales graves.

FUNCIONAMIENTO

⚠ ¡ADVERTENCIA! ⚠

No permita que el hecho de familiarizarse con el producto provoque un uso descuidado. Recuerde que una fracción de segundo de descuido es suficiente para provocar lesiones graves.

⚠ ¡ADVERTENCIA! ⚠

Siempre retire el paquete de baterías del producto cuando esté armando piezas, realizando ajustes, limpiando, o cuando no esté en uso. La extracción del paquete de baterías evitará el arranque accidental, que puede provocar lesiones personales graves.

⚠ ¡ADVERTENCIA! ⚠

Siempre utilice protección ocular con protectores laterales marcados según la norma ANSI Z87.1. De no hacerlo, los objetos pueden ser arrojados a los ojos y provocar otras posibles lesiones graves.

⚠ ¡ADVERTENCIA! ⚠

No utilice conexiones o accesorios no recomendados por el fabricante de este producto. El uso de conexiones o accesorios no recomendados puede provocar lesiones personales graves.

Aplicaciones

Puede utilizar este producto para el siguiente fin:

- Limpiar las hojas y otra suciedad de superficies duras.
- Mantener los pisos y caminos libres de recortes de césped, hojas, hojas de pinos y otra suciedad.

Para instalar/extraer el paquete de baterías

Consulte la Figura 3 en la página 7

Para instalar:

- Para instalar la batería, deslice el paquete dentro del cuerpo de la herramienta.

Asegúrese de que las muescas de cada lado del paquete de baterías encastran en su lugar y que el paquete de baterías esté fijo en la sopladora antes de iniciar el funcionamiento.

Para extraer:

- Ubique las muescas de la parte lateral del paquete de baterías y presione ambos lados para liberar el paquete de baterías de la sopladora.

Carga del paquete de baterías

Consulte la Figura 4 en la página 8

- Cargue la batería por completo antes de utilizar la unidad por primera vez. La carga puede demorar hasta 3 horas. Debido a reglamentaciones federales la batería no viene completamente cargada.

FUNCIONAMIENTO

- Enchufe el cargador en el tomacorriente
- Conecte el paquete de baterías al cargador alineando los bordes del paquete de baterías con las ranuras del cargador. Deslice el paquete de baterías en el cargador.
- Cuando realice la carga, las luces de la batería se iluminarán para mostrar el estado de la carga. La luz del cargador parpadeará.
- Si la luz del cargador parpadea en color rojo, existe un error con la batería o el cargador. Intente nuevamente o llame al servicio de atención al cliente para obtener asistencia.
- Una vez que finalice la carga, las luces de la batería y del cargador se apagarán.
- Para extraer el paquete de baterías del cargador, presione los pestillos y tire del paquete de baterías hacia arriba.

¡ADVERTENCIA!

Battery products are always in operating condition. Therefore, switch should always be locked with hands free of the lock-out button when not in use. Remove battery pack when transporting or carrying blower to avoid accidental starting, which may result in serious injury.

Iniciar/detener la sopladora
Consulte la Figura 5 en la página 8

- Para iniciar la sopladora, coloque el interruptor de encendido/apagado en la posición de encendido (1).
- Para detener la sopladora, coloque el interruptor de encendido/apagado en la posición de apagado (0).

Funcionamiento de la sopladora Consulte la Figura 6 en la página 8

- Para evitar el esparcimiento de la suciedad, sople alrededor de los bordes exteriores de una pila de suciedad. Nunca sople directamente en el centro de la pila.
- Para reducir los niveles de sonido, limite la cantidad de piezas del equipo utilizadas al mismo tiempo.
- Use rastrillos y escobas para aflojar la suciedad antes del soplado. En condiciones de mucho polvo, enjuague levemente las superficies cuando se disponga de agua.
- Conserve el agua utilizando sopladores eléctricos en lugar de mangueras para diversas aplicaciones de jardines y céspedes, incluidas las áreas como alcantarillas, pantallas, patios, parrillas, galerías y jardines.
- Tenga cuidado con los niños, las mascotas, las ventanas abiertas, o los automóviles recién lavados, y sople la suciedad.
- Después de usar sopladoras u otros equipos, límpielos. Deseche la suciedad de manera adecuada.

MANTENIMIENTO

¡ADVERTENCIA!

Para evitar lesiones personales graves, siempre extraiga el paquete de baterías del producto cuando realice la limpieza o el mantenimiento.

Mantenimiento general

- Evite el uso de solventes cuando limpie las piezas plásticas. La mayoría de las piezas plásticas son susceptibles a los daños provocados por diversos tipos de solventes comerciales, y pueden dañarse con su uso. Utilice paños limpios para limpiar el polvo, la suciedad, el aceite, la grasa, etc.
- Este producto no contiene piezas que el usuario pueda reparar.
- Si el aparato no funciona como debe; si se ha caído, ha sido dañado, dejado a la intemperie o sumergido en agua, comuníquese con el servicio de atención al cliente llamando al 1-800-406-2005.

¡ADVERTENCIA!

No permita que los líquidos de frenos, los productos basados en gasolina y petróleo, los aceites penetrantes, etc. entren en contacto con las piezas plásticas en ningún momento. Los productos químicos pueden dañar, debilitar o destruir el plástico, lo que puede provocar lesiones personales graves.

Almacenamiento

- Limpie todos los materiales extraños de la sopladora.
- Almacene en interiores en un lugar seguro al que no puedan llegar los niños. Mantenga la unidad lejos de agentes corrosivos, como los productos químicos para jardines y las sales descongelantes.
- Mantenga la unidad en posición vertical o acostada para almacenarla.

¡DARSE CUENTA!

Inspeccione periódicamente todo el producto en busca de piezas dañadas, faltantes o flojas, como tornillos, tuercas, pernos, tapones, etc. Ajuste en forma segura todos los sujetadores y tapones y no haga funcionar el producto hasta reemplazar todas las piezas faltantes o dañadas. Comuníquese con el servicio de atención al cliente o con un centro de servicio calificado para obtener ayuda.

ACCESORIOS

Busque estos accesorios en Hoover.com o Hoover.ca o llame al 800-406-2005.

Todas las baterías ONEPWR funcionan con todos los productos ONEPWR.		Piezas y accesorios:	
Batería:	N.º de modelo	Cargador	BH05000
2.0 Ah	BH15020		
3.0 Ah	BH15030		
3.0 Ah MAX	BH25030		
4.0 Ah	BH15240		
4.0 Ah MAX	BH25040		
6.0 Ah	BH15260		

INSTRUCCIONES DE SEGURIDAD

INFORMACIÓN DE SERVICIO Y GARANTÍA LIMITADA PARA PRODUCTOS ONEPWR DE HOOVER®

Si necesita ayuda con la garantía, o tiene preguntas sobre su producto ONEPWR de Hoover, comuníquese con el Servicio de atención al cliente. Para el servicio en EE. UU. o Canadá, llame al 800.406.2005.

El propietario deberá pagar todos los costos de envío y/o transporte desde y hasta cualquier lugar de reparación. Identifique su producto de acuerdo al número del modelo y el código de fabricación cuando solicite información o realice el pedido de las piezas de repuesto. (El número de modelo y el código de fabricación de la aspiradora aparecen detrás de la copa de recolección de residuos o del cargador). GARANTÍA LIMITADA DE DOS AÑOS (USO DOMÉSTICO)

COBERTURA DE LA GARANTÍA LIMITADA: Esta garantía limitada provista por Royal Appliance Mfg. Co., que realiza negocios como TTI Floor Care North America (a la que se hará referencia como "Hoover" en el presente documento) se aplica solo a productos adquiridos en EE. UU. (incluidos sus territorios y posesiones), una Tiendas de intercambios militares de los EE. UU. o Canadá. En casos de uso y mantenimiento domésticos en condiciones normales y conforme a la Guía del propietario, el producto y la batería Hoover® tienen garantía contra fallas de fábrica en los materiales y fallas por mano de obra por un periodo de dos años desde la fecha de compra original (en adelante, el "Plazo de la garantía"). Si Hoover determina que el problema que presenta cuenta con la cobertura de los términos de la garantía del producto (un "reclamo de la garantía cubierto"), a nuestro criterio y sin costo (sujeto al costo de envío), repararemos su producto o enviaremos un producto de reemplazo, que será nuevo o refabricado y estará sujeto a disponibilidad. Las piezas y reemplazos pueden ser nuevos, reacondicionados, con poco uso o refabricados, según el criterio de Hoover. Si no hay piezas y reemplazos disponibles, a nuestro criterio, podemos otorgar un producto similar de igual o superior valor, un crédito para la compra (si corresponde) o reembolsar el precio de la compra real al momento de la compra original, tal como se indique en el recibo de venta original.

PERSONAS AFECTADAS POR LA COBERTURA DE LA GARANTÍA LIMITADA: Esta garantía limitada se extiende únicamente al comprador minorista original, con comprobante de compra original de Hoover o un distribuidor autorizado de productos Hoover, en EE. UU., Tiendas de intercambios militares de los EE. UU., y en Canadá.

¿CÓMO HACER UN RECLAMO DE LA GARANTÍA?: Si este producto no cumple con la garantía, comuníquese con el Servicio de atención al cliente de Hoover. Tenga a mano el comprobante de compra y el número de modelo para el producto cubierto por la garantía.

¿QUÉ ES LO QUE NO CUBRE ESTA GARANTÍA LIMITADA?: Esta garantía no cubre el uso del producto en operaciones comerciales (tales como servicios de limpieza, portería y servicios de alquiler de equipos, u otra actividad generadora de ingresos); el mantenimiento inadecuado del producto; el producto si ha sido expuesto a abuso, negligencia, mal uso, vandalismo o el uso de voltajes diferentes a los especificados en la placa de identificación del producto. Esta garantía no cubre los daños provocados por actos fortuitos, accidentes, actos u omisiones del propietario, mantenimiento del producto por parte de un proveedor de servicios distinto de Hoover o no autorizado por Hoover (si corresponde), u otros actos que excedan el control de Hoover. Esta garantía tampoco cubre el uso fuera del país en el que se compró el producto originalmente, o la reventa del producto que realice el propietario original. Esta garantía no cubre la recolección, la entrega, el transporte ni las llamadas domésticas. Además, esta garantía no cubre ningún producto que haya sido alterado o modificado, reparado en forma necesario por el desgaste normal, o en el cual se hayan utilizado piezas o accesorios incompatibles con el producto Hoover o que afecten de manera negativa su funcionamiento, rendimiento o durabilidad. Los elementos con desgaste normal que no estén cubiertos por esta garantía incluyen, entre otros, correas, filtros, cepillos giratorios, ventiladores sopladores, sopladores y tubos aspiradores, y bolsas y cintas para la aspiradora.

Llame al Servicio de atención al cliente de Hoover al 800.406.2005 para obtener información sobre cómo enviar este producto. Esta garantía no se aplica a los productos comprados fuera de los Estados Unidos, tiendas de intercambios militares de los EE. UU. o Canadá.

OTROS TÉRMINOS IMPORTANTES: Esta garantía no es transferible y no puede asignarse, cualquier asignación realizada en contravención con esta prohibición quedará nula. Esta garantía se registrará e interpretará bajo las leyes del estado de Carolina del Norte. El Plazo de la garantía no se prolongará por el reemplazo de las baterías o piezas, ni por cualquier reparación realizada conforme a esta garantía.

ESTA GARANTÍA TIENE PREVALENCIA EXCLUSIVA COMO TAL Y COMO RECURSO LEGAL, Y QUEDAN EXPRESAMENTE RECHAZADAS TODAS LAS GARANTÍAS EXPRESAS E IMPLÍCITAS DIFERENTES DE LA GARANTÍA LIMITADA ESTABLECIDA ANTERIORMENTE RESPECTO DE ESTE PRODUCTO, CON INCLUSIÓN DE LAS GARANTÍAS IMPLÍCITAS DE APTITUD PARA LA VENTA O ADECUACIÓN A FINES ESPECÍFICOS. EN NINGÚN CASO, HOOVER SERÁ RESPONSABLE POR LOS DAÑOS ESPECIALES, INDIRECTOS, INCIDENTALES O CONSECUENTES DE NINGÚN TIPO QUE SUPRA EL PROPIETARIO O CUALQUIER PARTE QUE RECLAME POR INTERMEDIO DE ESTE, YA SEA CON BASE EN UN CONTRATO, POR NEGLIGENCIA, HECHO ILÍCITO CIVIL O RESPONSABILIDAD OBJETIVA, NI POR NINGUNA OTRA CAUSA. EN LA MÁXIMA MEDIDA PERMITIDA POR LAS LEYES APPLICABLES, NINGUNA GARANTÍA QUE SURJA DE LA APLICACIÓN DE LA LEY, SI ES APLICABLE, SUPERARÁ LA DURACIÓN DE LA GARANTÍA LIMITADA AQUÍ PROVISITA. LA RESPONSABILIDAD DE HOOVER POR DAÑOS Y POR TODO GASTO QUE SURJA DE ESTA DECLARACIÓN DE GARANTÍA LIMITADA QUEDARÁ RESTRINGIDA AL MONTO ABONADO POR ESTE PRODUCTO AL MOMENTO DE SU COMPRA ORIGINAL, Y HOOVER NO SERÁ RESPONSABLE DE NINGÚN DAÑO DIRECTO, INDIRECTO, EMERGENTE O INCIDENTAL QUE SURJA DEL USO O DE LA IMPOSIBILIDAD DE USO DE ESTE PRODUCTO.

Algunos estados no permiten la exclusión o la limitación de daños incidentes o consecuentes, descargos de garantías implícitas o limitaciones con respecto a la duración de garantías implícitas; por lo tanto, es posible que las exclusiones, los descargos y/o las limitaciones no se apliquen en su caso.

Esta garantía le otorga derechos legales específicos. También puede tener otros derechos, que varían según el estado.

