

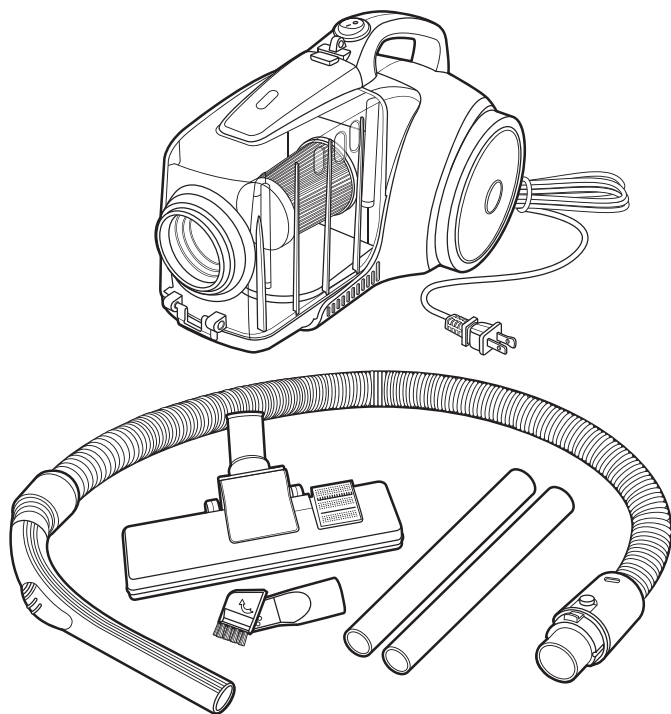
ORECK[®]

Little Helper[™] Vac

Model: CC1000

User's Guide

clean home
HEALTHIER. EASIER. SMARTER.[®]



Important!

Read this manual carefully,
and keep for future reference.

Enjoy

Thank You for purchasing an Oreck Little Helper™ Vac! This state of the art vacuum cleaner will help you have a cleaner, healthier home.

At Oreck we understand that our customers are unique and expect superior service. To meet your needs, we offer different customer service options to work with your lifestyle and preferences.

Welcome to our **Call. Click. Visit.** customer service program. To speak with an Oreck representative call:

Call



USA: **1•800•989•3535**
Canada: **1•888•676•7325**

Click



On the web, point and click at: **www.oreck.com**
or visit www.oreck.com and click locate a store on the top right.

Visit



Visit us in person at one of over 450 store locations. To find the nearest store, please call **888•oreck (1•888•673•2578)**.

Contents

General Warnings	4
Environment	4
Operation	4
Parts	6
Product Components	6
Assembly.....	6
Operation	7
Operating the Vacuum	7
Maintenance	7
Emptying the Dust Container	7
Cleaning the HEPA Filter.	8
Cleaning the Motor Protection Filter.....	8
Troubleshooting	9
Accessories	9
Warranty	10

General Warnings



IMPORTANT SAFETY INSTRUCTIONS

When using an electrical appliance, basic precautions should always be followed, including the following:

Read all instructions before using this vacuum cleaner

WARNING! To reduce the risk of fire, electric shock, or injury:

- The vacuum is intended for household use only.
- Use the vacuum only as described in this manual.
- Use only manufacturer's recommended attachments.

Environment

Use of the vacuum outdoors or on wet surfaces may result in damage to the appliance and void the warranty.

Use of the vacuum on stairs may cause imbalance, slippage or tumbling. Always check your balance and ensure your footing when cleaning on stairs.

Use of the vacuum in an enclosed space containing flammable, explosive materials or toxic vapors may result in an unexpected spark or fire. Do not use the vacuum in such an enclosed space. Always check exposed wiring and wire connections before use.

Operation

This appliance has moving parts and powerful suction capability. Do not allow it to be used as a toy and always maintain close attention when used by or near children.

Loose clothing, jewelry and long hair may become entangled in the moving parts of the vacuum and cause personal injury. Always keep loose clothing, jewelry, fingers and all parts of body away from openings and moving parts.

Use of the vacuum with an opening blocked may reduce airflow. Keep all openings free of dust, lint, hair etc.

Improper handling of the power cord may result in wiring connection damage and potential sparking or shock. Always follow these instructions when handling the power cord:

- Do not pull or carry the vacuum by the cord

- Do not use the cord as a handle
- Do not unplug the vacuum by pulling on the cord
- Do not close a door on the cord
- Do not pull the cord around sharp edges or corners
- Keep the cord away from heated surfaces
- Do not run the vacuum or other appliance over the cord
- Always grasp the plug, not the cord, when unplugging the vacuum

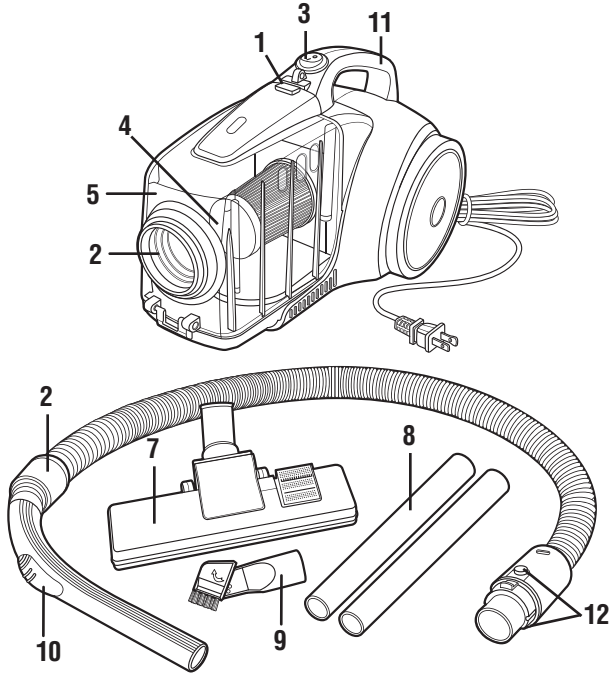
A damaged cord or plug may cause a spark, shock and fire. Always check the cord and plug before use. If appliance is not working as it should, has been dropped, damaged, left outdoors, or dropped into water, return it to a service center or call customer service at: U.S.: 1-800-989-3535 Canada: 1-888-676-7325.

Using the vacuum with wet hands and on wet surfaces may result in unexpected shock, slippage and personal injury. Do not handle the plug or appliance with wet hands or on wet surfaces.

Vacuums burning or smoking objects, flammable or combustible liquids and toxic material may result in a fire and personal injury. Do not vacuum burning or smoking objects, flammable or combustible liquids.

Unplugging the vacuum while the controls are ON may cause sparking and fire. Turn OFF all controls before unplugging. Do not leave appliance unattended when plugged in. Unplug from outlet when not in use and before servicing.

**SAVE THESE
INSTRUCTIONS**



Side and Front View

- | | |
|-------------------------------|-----------------------------------|
| 1. Dust Container Release | 8. Extension Wands |
| 2. Hose intake | 9. 2-in-1 Nozzle |
| 3. ON/OFF Switch | 10. Suction Control |
| 4. HEPA Filter | 11. Carry Handle |
| 5. Dust container with filter | 12. Suction Hose Release Buttons |
| 6. Floor Nozzle | 13. Shoulder Strap (Not pictured) |
| 7. Flexible Suction Hose | |

Assembly

Shoulder Strap

Clamp one end of the shoulder strap in front slot located between the ON/OFF switch and the dust container release button. Clamp opposite end of shoulder strap in slot at back of handle.

Suction Hose

Firmly insert the end of the suction hose into the canister intake until it locks into place.

To disconnect hose, press and hold suction hose release button on both sides of the suction hose, pull to remove.

Operation

Operating the Vacuum

1. Attach the desired accessory to the end of the suction hose.
2. Unwind the necessary length of cable and insert the plug in a 120V/60Hz socket.
3. Vacuum at a steady speed. There is no need to exert pressure.

Maintenance

⚠ WARNING!



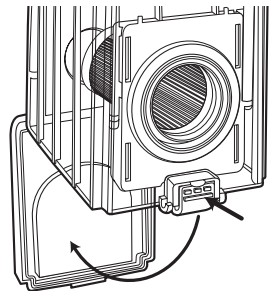
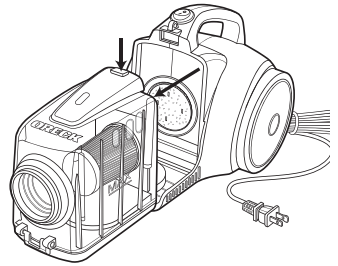
Performing maintenance on the vacuum while it is plugged into a wall outlet may result in unexpected vacuum operation, shock and personal injury. Always turn the vacuum OFF and unplug before performing inspection and maintenance.

Emptying the Dust Container

For maximum performance of your Oreck Little Helper™ Vac, the dust container needs to be emptied when it becomes approximately 1/3 full or if the suction power of the unit is reduced.

To empty the dust container:

1. Disconnect the suction hose from the hose intake.
2. Press the dust container release button to release the dust container and then slide it off the unit base.
3. Lift the dust container release to open to bottom panel of the dust container.
4. Empty the contents of the dust container into the trash can.
5. Close the bottom panel of the dust container and slide it on the unit base until it snaps into place.

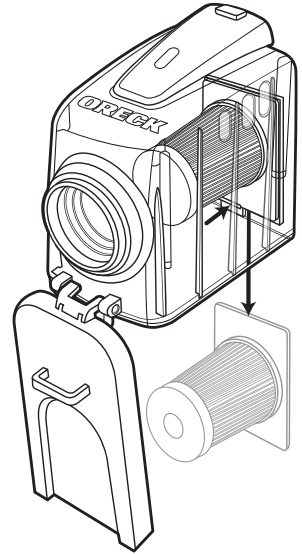


Cleaning the HEPA Filter

Depending on usage, the main filter should be cleaned every 4 - 6 months.

To clean the dust container filter:

1. Remove the dust container. See *"Emptying the Dust Container."*
2. Press the HEPA filter locking tab in and slide the HEPA filter assembly out of the dust container.
3. Clean the filter by tapping and gently brushing with a cloth or gentle scrub brush.
4. After cleaning, slide HEPA filter assembly back into dust container until it locks into place.

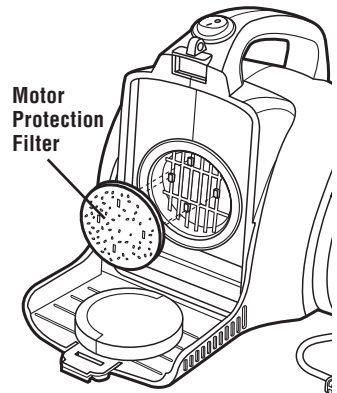


Cleaning the Motor Protection Filter

The inlet filter is located on the rear wall of the unit base and should be cleaned approximately every 10th time you empty the dust container.

To clean the motor protection filter:

1. Remove the dust container. See *"Emptying the Dust Container."*
2. Remove the motor protection filter from the motor inlet.
3. Gently wipe debris from the filter or if necessary, the filter can be washed in warm water without any additives.
4. Replace the dry filter over the tabs in the motor inlet.



IMPORTANT: The motor protection filter should NEVER be installed into the motor inlet damp or wet. Always allow the filter to air dry completely.

Troubleshooting

If the following troubleshooting tips do not resolve the problem please contact Oreck Customer Service.

U.S.: 1-800-989-3535 Canada: 1-888-676-7325

Important! Always unplug and allow the vacuum to cool down before conducting any troubleshooting. See safety warnings.

Problems	Possible Source	Areas to Check
Cleaner will not run	Not plugged in properly. No electricity in wall outlet. Needs service.	Be sure cleaner is firmly plugged into wall outlet. Check electrical source - fuse or circuit breaker. Take to service center or call for nearest service center.
Vacuum will not pick up or has low suction	Hose/wand tool is clogged.	Remove obstructions.
Tools/Wands will not stay together	Proper friction fit not being obtained.	Push and turn.

Accessories

Part	Number
Replacement Filters, 2 pack combo (dust container filter and motor protection filter)	CC1000FILTS

Warranty

ORECK MANUFACTURING COMPANY:

(Oreck Manufacturing Company gives you the following limited warranty for this product only if it was originally purchased for residential use, not resale, from Oreck, an Oreck franchise or an Oreck Authorized Retail Dealer, it has not been used for commercial use, and it has been used and maintained in accordance with the product's owner's manual.)

Oreck will repair or replace, free of charge, to the original purchaser, any part that is found to be defective in material or workmanship within one (1) year of the date of purchase. This limited warranty applies to normal domestic use. Any commercial use of this product will void this limited warranty.

This limited warranty does not cover the replacement of expendable or consumable parts such as carbon motor brushes, edge brushes, drive belts, brushes, disposable bags, wheels, lights, light bulbs and other parts subject to normal wear unless they are defective in material or workmanship.

This limited warranty does not apply to any part subjected to accident, abuse, commercial use, alteration, misuse, damage caused by act of God, the use of voltages other than indicated on the serial number displayed on this product or service of this product by other than Oreck or an Oreck Authorized Service Center. Oreck does not authorize any person or representative to assume or grant any other warranty obligation with the sale of this product.

Oreck's limited warranty is valid only if you retain proof of purchase from Oreck, an Oreck Franchise or an Oreck Authorized Retail Dealer for this product. If you purchase this product from any other source, your purchase is "AS IS," which means Oreck grants you no warranty, and that you, not Oreck, assume the entire risk of the quality and performance of this product, including the entire cost of any necessary servicing or repairs of any defects.

Oreck's liability for damages to you for any costs whatsoever arising out of this statement of limited warranty shall be limited to the amount paid for this product at the time of original purchase, and Oreck shall not be liable for any direct, indirect, consequential or incidental damages arising out of the use or inability to use this product.

Some states do not allow the exclusion or limitation of incidental or consequential damages, so the above limitation or exclusion may not apply to you.

ALL EXPRESS AND IMPLIED WARRANTIES FOR THIS PRODUCT, INCLUDING IMPLIED WARRANTIES OF MERCHANTABILITY AND FITNESS FOR A PARTICULAR PURPOSE, ARE LIMITED IN DURATION TO THE WARRANTY PERIOD, AND NO WARRANTIES, WHETHER EXPRESS OR IMPLIED, WILL APPLY AFTER THIS PERIOD.

Some states do not allow limitations on the duration of implied warranties, so the above limitation may not apply to you.

This warranty gives you specific legal rights, and you may also have other rights which vary from state to state.



ORECK[®]

©2010 Oreck Holdings, LLC.

All rights reserved. All marks, text, logo's, product configurations and registered trademarks are owned and used under the authority of Oreck Holdings, LLC

27000-01 REV A 02/10 ECN R-9796