

ORECK® XL®

S I M P L Y A M A Z I N G™

F R A N Ç A I S

GUIDE D'UTILISATION PAGE 7

E S P A Ñ O L

GUIA DEL USUARIO PAGE 13



USA: 1-800-989-3535
CANADA: 1-888-676-7325



WWW.ORECK.COM



VISIT ONE OF OUR
OVER 400 LOCATIONS



USER'S GUIDE

dutchTech® DTX 1100

**ELECTRITECH®
FILTER SYSTEM**

• **IMPORTANT!**
SAVE THIS BOOKLET!

Includes:

- Accessories
- Safety Warnings
- Warranty
- Trouble Diagnosis
- Operating Instructions

**BEFORE OPERATING
CLEANER, READ ALL
INSTRUCTIONS IN THIS
MANUAL CAREFULLY.**

Table of Contents

Maintenance and Customer Service,
Accessories, Important Safety Instructions page 2

Warranty, Troubleshooting Guide page 3

Assembly, Getting Ready for Use page 4

Getting Ready for Use cont.,
Operating Instructions page 5

Replacing Filter Bag, Replacing Motor Filter,
Replacing Exhaust Filter page 6

Storage page 7

Français Guide D'utilisation page 7

Español Guía Del Usuario page 13

**Maintenance and
Customer Service**

Your ORECK vacuum cleaner is a product of precise engineering. The motor bearings are permanently lubricated and should not be oiled. If you require additional information or have problems with your ORECK appliance, you may call ORECK customer service at:

- USA** 1-800-989-3535
- Canada** 1-888-676-7325
- Outside the USA and Canada, contact your local Oreck Distributor.**

Please specify the model number and serial/code number which can be found on the data plate on the bottom of the vacuum.

Save your sales or purchase slip. Should your ORECK appliance require warranty service in the U.S.A., present this slip to the Authorized Service Center as your proof of purchase date or, in Canada, call customer service.

**Accessories
(Sold Separately)**

USA: 1-800-989-3535 Canada: 1-888-676-7325

ITEM	PART #
1. Celoc® Hypo-Allergenic Dust Bags, 5 Pack, 1 Motor Filter, 1 Exhaust Filter	ET511PK
2. Advanced Hepa Filter	1100HF

**IMPORTANT
SAFETY INSTRUCTIONS**

When using an electrical appliance, basic precautions should always be followed, including the following:

**READ ALL INSTRUCTIONS BEFORE
USING THIS VACUUM CLEANER**



WARNING

**To reduce the risk of fire,
electric shock, or injury:**

- Do not leave vacuum unattended when plugged in. Unplug from outlet when not in use and before servicing.
- Do not use outdoors or on wet surfaces.
- Do not allow vacuum to be used as a toy. Close attention is necessary when used by or near children.
- Use only as described in this manual. Use only manufacturer's recommended attachments.
- Always turn off this vacuum before connecting or disconnecting either hose or motorized nozzle.
- The hose contains electrical wires. Do not use if damaged, cut, or punctured. Avoid picking up sharp objects.
- Do not use with damaged cord or plug. If vacuum is not working as it should, has been dropped, damaged, left outdoors, or dropped into water, return it to a service center or call customer service at:
US: 1-800-989-3535
CANADA: 1-888-676-7325
- Do not pull or carry by cord, use cord as a handle, close door on cord, or pull cord around sharp edges or corners. Keep cord away from heated surfaces.
- Hold plug when rewinding onto cord reel. Do not allow plug to whip when rewinding.
- Do not run vacuum over cord.
- Do not unplug by pulling on cord. To unplug, grasp the plug, not the cord.
- Do not handle plug or vacuum with wet hands.
- Do not put any object into openings. Do not use with any opening blocked; keep free of dust, lint, hair and anything that may reduce air flow.
- Keep hair, loose clothing, fingers and all parts of body away from openings and moving parts.
- Do not use to pick up anything that is burning or smoking, such as cigarettes, matches, or hot ashes.
- Do not use without filter or bag assembly in place.
- Turn off all controls before unplugging.
- Use extra care when cleaning on stairs.
- Do not use to pick up flammable or combustible liquids, such as gasoline or lighter fluid, or use in areas where they may be present.
- Do not use vacuum in an enclosed space where flammable, explosive or toxic vapors are given off by oil base paint, paint thinner, some mothproofing substances, or in an area where flammable dust is present.
- Do not pick up toxic material such as chlorine bleach, drain cleaner, gasoline, etc. with this vacuum.

**SAVE THESE INSTRUCTIONS
Household Use Only**

Warranty

ORECK MANUFACTURING COMPANY: (ORECK gives you the following limited warranty for this product only if it was originally purchased for use, not resale, from ORECK or an ORECK Authorized Retail Dealer.)

ORECK will repair or replace, free of charge, to the original purchaser, any part which is found to be defective in material or workmanship within three (3) years of the date of purchase; five (5) years on motor. Any commercial use of this product will void this limited warranty.

Drive belts, revolving brushes, disposable bags, and other parts subject to normal wear are not covered by this limited warranty.

This limited warranty does not apply to any part subjected to accident, abuse, commercial use, alteration, misuse, damage caused by fire or act of God, the use of voltages other than indicated on the serial number plate of this product or service of this product by other than ORECK or an ORECK Factory Authorized Service Center.

ORECK does not authorize any person or representative to assume or grant any other warranty obligation with the sale of this product.

ORECK's limited warranty is valid only if you retain proof of purchase from ORECK or an ORECK Authorized Retail Dealer for this product. If you purchase this product from any other source, your purchase is "AS IS," which means ORECK grants you no warranty, and that you, not ORECK, assume the entire risk of the quality and performance of this product, including the entire cost of any necessary servicing or repairs of any defects.

ORECK's liability for damages to you for any costs whatsoever arising out of this statement of limited warranty shall be limited to the amount paid for this product at the time of original purchase, and ORECK shall not be liable for any direct, indirect, consequential or incidental damages arising out of the use or inability to use this product.

Some states do not allow the exclusion or limitation of incidental or consequential damages, so the above limitation or exclusion may not apply to you.

ALL EXPRESSED AND IMPLIED WARRANTIES FOR THIS PRODUCT, INCLUDING IMPLIED WARRANTIES OF MERCHANTABILITY AND FITNESS FOR A PARTICULAR PURPOSE, ARE LIMITED IN DURATION TO THE WARRANTY PERIOD, AND NO WARRANTIES, WHETHER EXPRESSED OR IMPLIED, WILL APPLY AFTER THIS PERIOD.

Some states do not allow limitations on the duration of implied warranties, so the above limitation may not apply to you.

This warranty gives you specific legal rights, and you may also have other rights which vary from state to state.

Troubleshooting Guide



WARNING: Unplug cord from electrical outlet before servicing.

SAVE SERVICE CALLS...CHECK THESE FIRST:

- Is the disposable filter dust bag full?
- Are pores of filter dust bag clogged with powder or fine dust?
- Is anything clogging the hose, wands, power nozzle & accessories?

PROBLEM	POSSIBLE SOURCE	AREAS TO CHECK
CLEANER WILL NOT RUN	Not plugged in properly.	Be sure cleaner is firmly plugged into wall outlet.
	No electricity in wall outlet.	Check electrical source—fuse or circuit breaker.
CLEANER DOES NOT PICK UP	Filter bag is full.	Replace filter bag. See "To Install Filter Bag."
	Intake & Exhaust Filters are blocked.	Replace Filters. See "Replacing Intake Filter", & "Replacing Exhaust Filter".
	Hose, Wand or Accessories are clogged.	Clear obstruction.
	Suction Control on Handle is open.	Close Suction Control.
POWER NOZZLE WILL NOT RUN	Handle Switch is Off.	Turn Handle Switch On.
	Brush in Power Nozzle is clogged.	Remove clog, wait ten minutes for Power Nozzle to reset.

ALL OTHER SERVICING SHOULD BE DONE BY AN ORECK AUTHORIZED SERVICE CENTER.

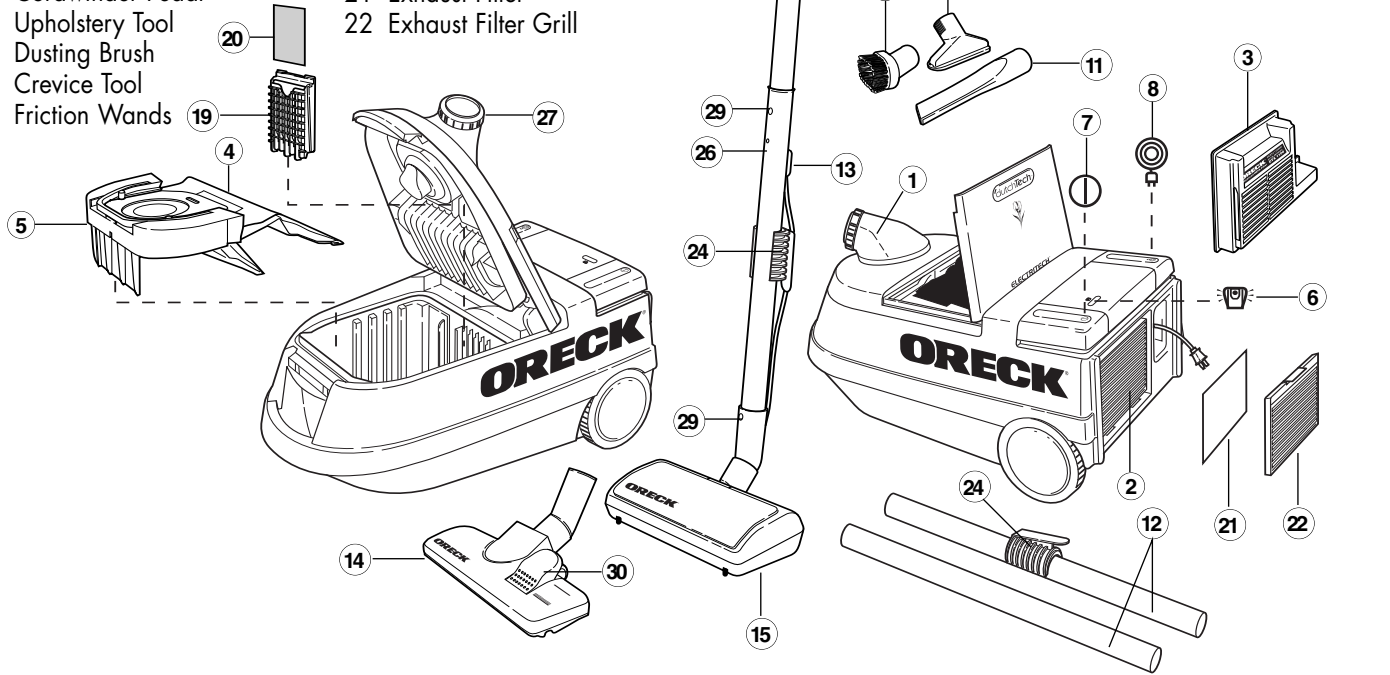
**CALL CUSTOMER SERVICE HOT LINE
US: 1-800-989-3535
CANADA: 1-888-676-7325**

Whenever calling, please be sure to have your model and serial number from data plate.

Assembly

To assist you in identifying components of your vacuum. Components vary with accessory kits:

- | | |
|--|------------------------------|
| 1 Intake | 13 Cord Channel |
| 2 Exhaust | 14 Standard Nozzle |
| 3 Advanced Hepa Filter (sold separately) | 15 Power Nozzle |
| 4 Filter Bag | 16 Power Handle with Hose |
| 5 Filter Bag Carrier | 17 Standard Handle with Hose |
| 6 Bag Full Indicator | 18 Suction Control |
| 7 Power On/Off Pedal | 19 Motor Filter Grill |
| 8 Cordwinder Pedal | 20 Motor Filter |
| 9 Upholstery Tool | 21 Exhaust Filter |
| 10 Dusting Brush | 22 Exhaust Filter Grill |
| 11 Crevice Tool | |
| 12 Friction Wands | |



- | |
|-----------------------------------|
| 23 Power Nozzle On/Off Switch |
| 24 Wand Clip |
| 25 Upper Power Wand |
| 26 Lower Power Wand |
| 27 Hose Lock |
| 28 Plug Holder |
| 29 Button Locks |
| 30 Carpet / Bare Floor Adjustment |

Getting Ready for Use



Connect the hose by firmly inserting end of hose into canister intake opening until it clicks.

To disconnect hose, turn hose lock on canister intake to unlock hose and remove.



To assemble standard wands and nozzle.

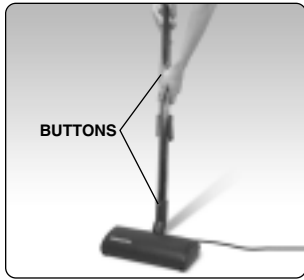
Insert the smaller end of the upper wand into the larger end of the lower wand to secure.



Insert small end of bottom wand into nozzle firmly with wand clip facing back.

Insert handle into upper wand by pressing firmly; button will lock on power handle.

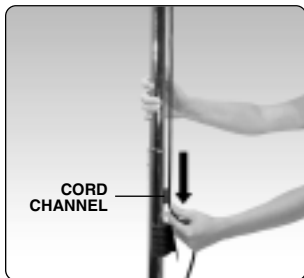
Getting Ready for Use



To assemble power nozzle and wands, Insert upper wand into lower wand until button locks. Insert lower wand into power nozzle until button locks. Once assembled do not disassemble.

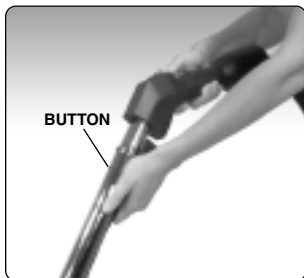


Insert power nozzle plug into the plug holder on upper wand.



Pulling cord down, press cord into cord channel on bottom wand.

For convenience, do not disassemble for storage.



Insert power handle into upper wand until button locks.



Pull plug from unit and insert into wall outlet.

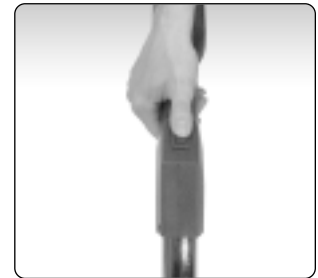
Operating Instructions

Polarized Plug Notice

This product is equipped with a polarized alternating current line plug (a plug having one blade wider than the other). This plug will fit into the power outlet only one way. This is a safety feature. If you are unable to insert the plug fully into the outlet, try reversing the plug. If the plug should still fail to fit, contact an electrician to replace the obsolete outlet. Do not defeat the purpose of the polarized plug.



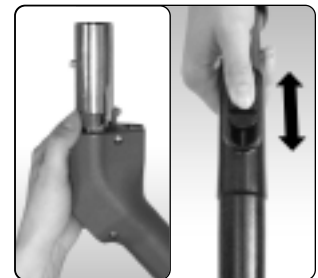
Press the On/Off pedal located at the rear of the canister to turn on.



If using a power nozzle, turn the power nozzle On/Off by using the switch located on the handle.



Using the standard nozzle, the nozzle is adjustable for use on carpets (without brush) or hard floors (with brush).



To adjust suction, use the suction control slide on the standard handle and power handle.



Upholstery tool, crevice tool and dusting brush can be found in storage compartment.



Small accessories can be used with friction wand or handle alone.

Replacing Filter Bag



Check bag frequently or when dustbag full indicator indicates dust bag is full.

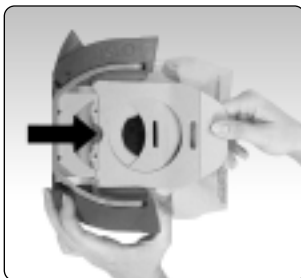
Note: If picking up heavy debris, change bag more frequently.



Switch the unit off. Unplug unit from wall outlet. Open the cover by lifting the latch in front of the intake.



Remove dust bag by raising handle on bag carrier and lifting carrier out.



Remove the bag from carrier by pulling the cardboard tag. The Saniseal™ dust seal will close automatically.



Insert a new bag into carrier by sliding cardboard into slots on carrier until bag is fully inserted. Bend rear part of dustbag downwards.



Replace the carrier into the unit.

Close the cover by pressing it down until it latches. The cover cannot be closed if a bag is not present or inserted properly.

Replacing Motor Filter



Unplug unit from wall outlet. Remove the dustbag and carrier to access the motor filter grill.

Using the tab located at top of filter grill, lift filter grill out of unit.



Remove filter from grill and replace with new filter. Change the motor filter every fifth dustbag replacement.

Replacing Exhaust Filter



Unplug unit from wall outlet. Remove exhaust grill from back of unit by pressing down and pulling out on the tab located at the top of the grill.

Discard used exhaust filter. Place new filter in grill. Set grill tabs in slots. Press top of grill to snap closed. The exhaust filter should be changed with every fifth dustbag replacement.



Note: Exhaust filter not needed if Advanced Hepa Filter was purchased.

ADVANCED HEPA FILTER INSTALLATION:



Remove exhaust grill.



Install Advanced Hepa Filter by aligning tabs in slots and pressing top to snap closed.

Note: Replace Hepa Filter once a year or every fifth dust bag replacement.

Storage



Turn unit off and unplug cord from outlet. Rewind cord by pressing cord rewind pedal. Do not allow plug to whip when rewinding.



Place vacuum cleaner on end and insert either wand clip into slot located on base of vacuum.

For easy storage of power nozzle assembly, disconnect from handle and store assembled.

ORECK[®] XI

TOUT SIMPLEMENT ÉTONNANT[™] MC

GUIDE D'UTILISATION
F R A N Ç A I S



dutchTech[®]
DTX 1100
ELECTRITECH[®]
FILTER SYSTEM

• IMPORTANTE •
CONSERVEZ CE FASCICULE

Comprend:
Avertissements de sécurité
Garantie
Mode d'emploi
Guide de dépannage
Accessoires

**AVANT D'UTILISER L'ASPIRATEUR,
LIRE ATTENTIVEMENT TOUTES LES
INSTRUCTIONS DE CE MANUEL.**

Table des matières

Entretien et service à la clientèle,
Accessoires, Consignes de sécurité importantes . page 8

Garantie, Guide de dépannage page 9

Assemblage, Préparation page 10

Préparation cont.,
Mode d'emploi page 11

Remplacement du sac de filtre,
Remplacement du filtre du moteur,
Remplacement du filtre d'évacuation page 12

Rangement page 13

Español Guia Del Usuario page 13

**Entretien et service
à la clientèle**

Votre aspirateur ORECK est un produit utilisant des mécanismes précis. Les paliers du moteur sont lubrifiés de façon permanente et ne doivent pas être huilés. Si vous avez besoin d'informations supplémentaires ou si vous avez des problèmes avec votre appareil ORECK, vous pouvez appeler le service à la clientèle ORECK au:

USA 1-800-989-3535
Canada 1-888-676-7325

Veuillez indiquer le numéro de modèle et le numéro de série/code apparaissant sur la plaque signalétique derrière l'aspirateur.

Conservez votre reçu de vente ou de caisse. Si votre appareil ORECK a un jour besoin d'une réparation sous garantie aux États-Unis, présentez ce coupon au centre autorisé de service après-vente comme preuve d'achat datée. Au Canada, appelez le service à la clientèle.

**Accessoires
Vendu Séparément**

USA: 1-800-989-3535 Canada: 1-888-676-7325

ITEM	PART #
1. Sacs à poussière hypo-allergéniques Celoc(r), paquet de 5 1 filtre de moteur 1 filtre d'évacuation	ET511PK
2. Filtre Hepa Avancé	1100HF

**CONSIGNES DE SÉCURITÉ
IMPORTANTES**

Lorsque vous utilisez un appareil électroménager, vous devez toujours prendre certaines précautions de base, y compris les suivantes:

**LIRE TOUTES LES INSTRUCTIONS AVANT
D'UTILISER CET ASPIRATEUR**



AVERTISSEMENT

**Pour réduire les risques d'incendie,
d'électrocution et de blessure:**

- Ne jamais laisser l'appareil branché sans surveillance. L'appareil doit être débranché après chaque utilisation et avant toute réparation.
- Ne jamais utiliser à l'extérieur ou sur une surface humide.
- Ne doit pas servir de jouet. Une surveillance attentive est nécessaire lorsque l'appareil est utilisé par ou à proximité d'un enfant.
- Utilisez uniquement selon les instructions figurant dans ce manuel. Utilisez uniquement les accessoires recommandés par le fabricant.
- Vous devez toujours éteindre l'appareil avant de connecter ou de déconnecter un tuyau ou l'embout motorisé.
- Le tuyau contient des fils électriques. Ne pas l'utiliser s'il est endommagé, coupé ou percé. Évitez d'aspirer des objets tranchants.
- Ne jamais utiliser si le cordon d'alimentation ou la fiche de connexion sont endommagés. Si l'appareil ne fonctionne pas normalement, s'il a été échappé, s'il a été endommagé, s'il a été laissé à l'extérieur ou s'il est tombé dans l'eau, il faut le retourner à un centre de service après-vente ou appeler le service à la clientèle au:
US: 1-800-989-3535
CANADA: 1-888-676-7325
- Ne jamais tirer ou transporter l'appareil par le cordon d'alimentation, ni utiliser le cordon en guise de poignée, ni fermer une porte sur le cordon, ni tirer le cordon autour d'un coin à angle pointu. Garder le cordon à l'écart des surfaces chaudes.
- Tenez la prise dans la main pendant que vous rembobinez le fil. Ne laissez pas la prise fouetter lorsque le fil se rembobine.
- Ne pas faire avancer l'appareil sur le cordon.
- Ne jamais débrancher l'appareil en tirant sur le cordon. Pour débrancher, saisir la fiche et non le cordon.
- Ne jamais manipuler la fiche de connexion et l'appareil avec les mains humides.
- Ne jamais insérer d'objet dans les ouvertures. Ne pas utiliser si des ouvertures sont bloquées. Elles doivent être exemptes de poussière, de charpie, de cheveux et de toute autre substance pouvant réduire le débit d'air.
- Garder les cheveux, les vêtements amples, les doigts et toutes les parties du corps à bonne distance des ouvertures et des pièces mobiles.
- Ne jamais utiliser pour ramasser des substances chaudes ou fumantes, comme des cigarettes, des allumettes ou des cendres chaudes.
- Ne jamais utiliser sans sac filtrant.
- Avant de débrancher, arrêter toutes les commandes.
- Redoubler de prudence lors du nettoyage d'escaliers.
- Ne jamais utiliser pour ramasser des liquides inflammables ou combustibles, comme de l'essence à moteur ou à briquet.
- Ne jamais utiliser l'appareil dans un espace clos où se dégage des vapeurs inflammables, explosives ou toxiques provenant d'une peinture à l'huile, d'un diluant à peinture, de substances antimites, ni dans un espace où il y a des poussières inflammables.
- Cet appareil ne doit jamais servir à ramasser des substances toxiques comme la Javel, les produits de débouchage, l'essence, etc.

**CONSERVER CES INSTRUCTIONS
Usage ménager uniquement**

Garantie

ORECK MANUFACTURING COMPANY : (La société ORECK vous offre avec ce produit la garantie limitée suivante, uniquement s'il a été acheté auprès de la société ORECK ou d'un revendeur autorisé ORECK pour l'utiliser et non pour le revendre.)

ORECK s'engage à remplacer ou réparer, gratuitement, auprès de l'acheteur original, toute pièce défectueuse en matière de pièce ou de main-d'œuvre pour une période de trois (3) ans à partir de la date d'achat ; cinq (5) ans pour le moteur. N'importe quelle utilisation commerciale de ce produit videra cette garantie limitée.

Les courroies d'entraînement, les balais rotatifs, les ampoules électriques, les sacs jetables et les autres pièces sujettes à l'usure ne sont pas couvertes par cette garantie limitée.

Cette garantie limitée ne couvre pas les pièces victimes d'un accident, d'un usage abusif, à l'utilisation commerciale d'abus, d'une modification, d'une mauvaise utilisation, de dommages causés par un incendie ou une catastrophe naturelle, ainsi que les appareils utilisés avec une tension électrique autre que celle indiquée sur leur plaque signalétique, ni les appareils réparés à l'extérieur de la société ORECK ou d'un centre de service après-vente ORECK.

La société ORECK n'autorise aucune personne et aucun représentant à accorder ou offrir d'autres clauses de garantie avec ce produit.

La garantie limitée ORECK est valable uniquement si vous conservez une preuve d'achat de la société ORECK ou d'un revendeur autorisé ORECK. Si vous achetez ce produit ailleurs, vous l'achetez « en l'état », ce qui signifie que la société ORECK ne vous accorde alors aucune garantie. Dans ce cas, vous assumez tout le risque relatif à la qualité et aux performances de ce produit, ce qui comprend tous les frais de réparation et de correction d'éventuels défauts.

La responsabilité de la société ORECK pour d'éventuels dommages subis par vous ou relativement aux frais qui découlent de cet énoncé de garantie limitée ne peut dépasser le montant payé pour ce produit lors de son achat original. La société ORECK ne peut être tenue responsable de tout dommage direct ou indirect relatif à l'utilisation ou à l'incapacité d'utiliser ce produit.

Puisque certains États ou provinces interdisent l'exclusion ou la restriction des dommages indirects, il est possible que l'exclusion ou la restriction ci-dessus ne s'applique pas à vous.

TOUTE GARANTIE EXPRESSE OU IMPLICITE RELATIVE À CE PRODUIT, Y COMPRIS LES GARANTIES IMPLICITES DE QUALITÉ COMMERCIALE OU DE CONVENANCE À UN USAGE QUELCONQUE, S'APPLIQUE PENDANT UNE DURÉE ÉQUIVALENTE À LA PÉRIODE DE GARANTIE ET AUCUNE GARANTIE EXPRESSE OU IMPLICITE NE POURRA S'APPLIQUER APRÈS CETTE PÉRIODE.

Puisque certains États ou provinces ne permettent pas les restrictions sur la durée des garanties implicites, il est possible que la restriction ci-dessus ne s'applique pas à vous.

Cette garantie vous accorde des droits juridiques précis et il est également possible que vous ayez d'autres droits dépendant de votre lieu de résidence.

Guide de dépannage



AVERTISSEMENT : Avant d'exécuter cette opération, débranchez le cordon d'alimentation de la prise murale.

NE CONSULTEZ PAS INUTILEMENT UN RÉPARATEUR...
VÉRIFIEZ D'ABORD CE QUI SUIT:

- Est-ce que le sac jetable en papier filtre est plein?
- Est-ce que les pores du sac filtrant sont bouchés avec de la poudre ou de la poussière fine?
- Quelque chose bloque-t-il le balai tournant, le tube inférieur, l'ouverture d'admission, le ventilateur ou l'ouverture du connecteur?

PROBLÈME	CAUSE POSSIBLE	VÉRIFICATIONS
L'ASPIRATEUR NE FONCTIONNE PAS	L'appareil est mal branché. Aucune électricité n'arrive à la prise murale.	Assurez-vous que l'aspirateur est correctement branché dans la prise murale. Vérifiez le fusible ou le disjoncteur du circuit utilisé.
L'ASPIRATEUR NE RAMASSE PAS LES SALETÉS	Le sac filtrant est plein. Les filtres d'entrée et d'évacuation sont bouchés. Le tuyau, le suceur ou les accessoires sont bouchés. Le contrôle de succion de la poignée est ouvert.	Remplacez le sac de filtre. Voir "Installation du sac de filtre". Remplacez les filtres. Voir "Remplacement du filtre d'entrée" et "Remplacement du filtre d'évacuation". Dégagez-les. Fermez le contrôle de succion.
L'EMBOU MOTORISÉ NE FONCTIONNE PAS.	L'interrupteur de la poignée est en position d'arrêt. La brosse de l'embout motorisé est bouchée.	Mettez l'interrupteur en position de marche. Dégagez-la, puis attendez 10 minutes pour que l'embout se réinitialise.

TOUTES LES AUTRES RÉPARATIONS DOIVENT ÊTRE FAITES DANS UN CENTRE DE RÉPARATION AUTORISÉ.

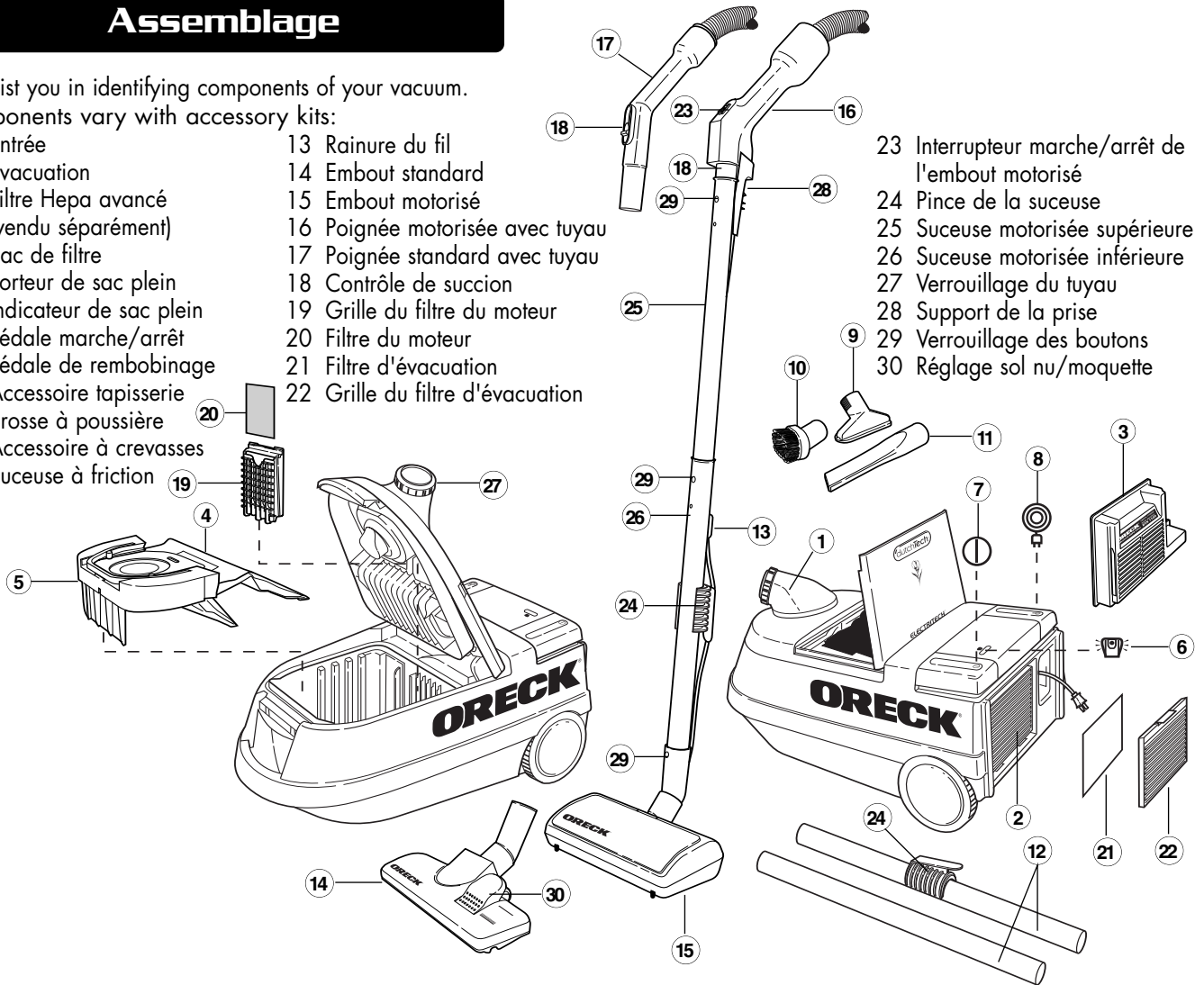
APPELEZ LE SERVICE TÉLÉPHONIQUE GRATUIT D'ASSISTANCE À LA CLIENTÈLE
US: 1-800-989-3535
CANADA: 1-888-676-7325

Lorsque vous téléphonez, n'oubliez pas de noter le numéro de modèle et le numéro de série de l'appareil, lesquels figurent sur sa plaque signalétique.

Assemblage

To assist you in identifying components of your vacuum.
Components vary with accessory kits:

- | | |
|--|----------------------------------|
| 1 Entrée | 13 Rainure du fil |
| 2 Évacuation | 14 Embout standard |
| 3 Filtre Hepa avancé
(vendu séparément) | 15 Embout motorisé |
| 4 Sac de filtre | 16 Poignée motorisée avec tuyau |
| 5 Porteur de sac plein | 17 Poignée standard avec tuyau |
| 6 Indicateur de sac plein | 18 Contrôle de succion |
| 7 Pédale marche/arrêt | 19 Grille du filtre du moteur |
| 8 Pédale de rembobinage | 20 Filtre du moteur |
| 9 Accessoire tapisserie | 21 Filtre d'évacuation |
| 10 Brosse à poussière | 22 Grille du filtre d'évacuation |
| 11 Accessoire à crevasses | |
| 12 Suceuse à friction | |



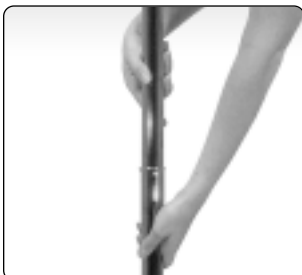
- | |
|---|
| 23 Interrupteur marche/arrêt de l'embout motorisé |
| 24 Pince de la suceuse |
| 25 Suceuse motorisée supérieure |
| 26 Suceuse motorisée inférieure |
| 27 Verrouillage du tuyau |
| 28 Support de la prise |
| 29 Verrouillage des boutons |
| 30 Réglage sol nu/moquette |

Préparation



Connectez le tuyau en insérant son extrémité fermement dans l'ouverture de l'aspirateur jusqu'au clic.

Pour disconnecter le tuyau, faites tourner le verrou du tuyau sur l'ouverture de l'aspirateur et retirez-le.



Pour monter les suceuses standard et l'embout.

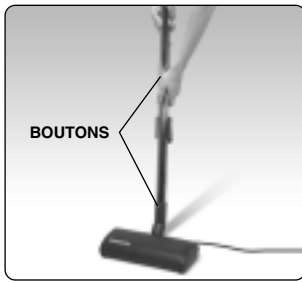
Insérez le petit diamètre de la suceuse supérieure dans le grand diamètre de la suceuse inférieure.



Insérez la petite extrémité de la suceuse inférieure fermement dans l'embout avec la pince de la suceuse vers l'arrière.

Insérez la poignée dans la suceuse supérieure en appuyant fermement ; le bouton se verrouille sur la poignée.

Préparation

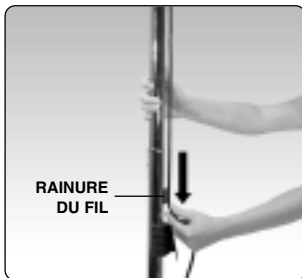


Pour assembler l'embout motorisé et les suceuses,

Insérez la suceuse supérieure dans la suceuse inférieure jusqu'à ce que le bouton se verrouille. Insérez la suceuse inférieure dans l'embout motorisé jusqu'à ce que le bouton se verrouille.

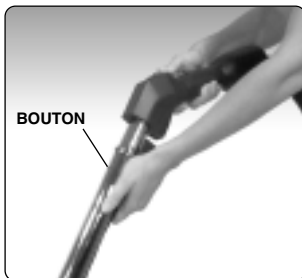


Insérez la prise de l'embout motorisé dans le connecteur de la suceuse supérieure.



Tirez sur le fil, enfoncez le fil de la prise dans la rainure sur la partie inférieure de la suceuse.

Vous n'avez pas besoin de démonter l'ensemble pour le ranger.



Insérez la poignée dans la suceuse supérieure jusqu'à ce que le bouton se verrouille.



Tirez la prise de l'unité et branchez au secteur.

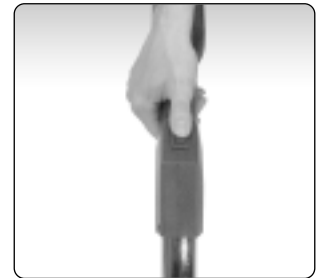
Mode d'emploi

Avis de fiche polarisée

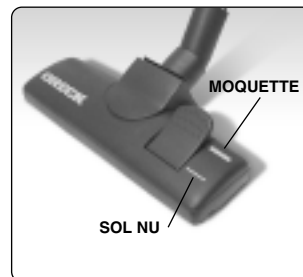
Ce produit est équipé d'une fiche polarisée à courant alternatif (avec une patte plus large que l'autre). Cette fiche ne peut être insérée dans une prise électrique que dans un seul sens. Il s'agit d'un dispositif de sécurité. Si vous n'arrivez pas à insérer complètement la fiche dans un sens, essayez de la retourner. Si la fiche n'entre toujours pas, demandez à un électricien de remplacer votre ancienne prise. Ne tentez pas d'altérer la fiche polarisée.



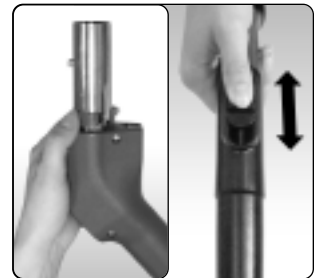
Appuyez sur la pédale marche/arrêt placée à l'arrière de l'aspirateur pour le mettre en marche.



Si vous utilisez un embout motorisé, vous pouvez mettre l'embout motorisé en marche et à l'arrêt avec l'interrupteur placé sur la poignée.



Utilisez l'embout normal qui est ajustable pour la moquette (sans brosse) et les sols nus (avec brosses).



Pour ajuster la succion, utilisez la glissière de contrôle de succion sur la poignée standard et la poignée motorisée.



L'accessoire de tapisserie, l'accessoire de crevasses et les brosses sont dans le compartiment de stockage.



Vous pouvez utiliser de petits accessoires avec la suceuse à friction ou la poignée seule.

Remplacement du sac de filtre



Vérifiez le sac régulièrement ou bien lorsque l'indicateur de sac plein s'allume.

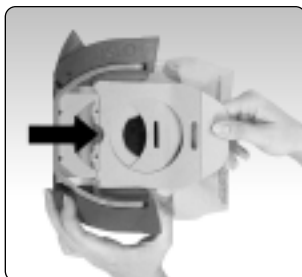
N.B. : Si vous aspirez des débris de taille importante, changez de sac plus souvent.



Éteignez l'unité. Débranchez l'unité du secteur. Ouvrez le couvercle en soulevant le verrou devant de l'entrée.



Retirez le sac à poussière en soulevant la poignée du porteur de sac et en le soulevant.



Retirez le sac du porteur en tirant sur les languettes en carton. Le joint anti-poussière Saniseal(tm) se ferme automatiquement.



Insérez un nouveau sac dans le porteur en glissant le carton dans les languettes du porteur jusqu'à ce que le sac soit complètement inséré. Pliez l'arrière du sac à poussière vers le bas.



Remplacez le porteur dans l'unité.

Fermez le couvercle en appuyant dessus jusqu'à ce qu'il se verrouille. Le couvercle ne peut pas être fermé en l'absence de sac ou s'il n'est pas bien placé.

Remplacement du filtre du moteur



Débranchez l'unité du secteur. Retirez le sac à poussière et le porteur pour accéder à la grille du filtre du moteur.



Utilisez la languette située en haut de la grille du filtre pour soulever la grille de l'unité.

Retirez le filtre de la grille et remplacez-le par un filtre neuf. Remplacez le filtre du moteur tous les cinq filtres à poussière.

Remplacement du filtre d'évacuation



Débranchez l'unité du secteur. Retirez la grille d'évacuation de l'arrière de l'unité en appuyant sur la languette placée en haut de la grille et en tirant dessus.



Jetez le filtre d'évacuation usagé. Placez un nouveau filtre dans la grille. Placez les languettes de la grille dans les fentes. Appuyez sur le haut de la grille pour qu'elle clique en place. Le filtre d'évacuation doit être changé tous les cinq filtres à poussière.

N.B. : Le filtre d'évacuation n'est pas nécessaire si vous avez acheté un filtre Hepa avancé.

INSTALLATION DU FILTRE HEPA AVANCÉ :



Retirez la grille d'évacuation.



Installez le filtre Hepa avancé en alignant les languettes et les fentes et en appuyant sur le haut pour qu'il clique en place.

N.B. : Remplacez le filtre Hepa une fois par an ou tous les cinq filtres à poussière.

Rangement



Éteignez l'unité et débranchez-la du secteur. Rembobinez le fil en appuyant sur la pédale de rembobinage. Ne laissez pas la prise fouetter lorsque le file se rembobine.



Placez l'aspirateur sur la tranche et insérez une des pinces de la suceuse dans la fente de la base de l'aspirateur.

Pour ranger facilement l'embout motorisé, déconnectez-le de la poignée et rangez le tout ensemble.

ORECK[®] XI

SIMPLY AMAZING™

GUIA DEL USUARIO
E S P A Ñ O L



dutchTech[®]
DTX 1100
ELECTRITECH[®]
FILTER SYSTEM

• IMPORTANT •
¡GUARDE ESTE FOLLETO!

Incluye:

- Advertencias de seguridad
- Garantía
- Instrucciones de operación
- Diagnóstico de problemas
- Accesorios

**ANTES DE OPERAR LA
ASPIRADORA, LEA CON CUIDADO
TODAS LAS INSTRUCCIONES
INCLUIDAS EN ESTE MANUAL.**

Índice

Mantenimiento y and servicio a clientes,
Accesorios, Instrucciones importantes
de seguridad página 14

Garantía, Guía para la identificatón
de problemas página 15

Ensamblaje, Preparación para su utilización página 16

Preparación para su utilización,
Instrucciones de operación página 17

Reemplazo de la bolsa de filtro,
Reemplazo del filtro del motor,
Reemplazo del filtro del escape página 18

Almacenamiento página 19

**Mantenimiento y servicio
a clientes**

Su aspiradora ORECK es un producto de diseño preciso. Los cojinetes del motor están lubricados permanentemente y no debe ponerles aceite. Si requiere información adicional o si tiene problemas con su aparato ORECK, puede llamar al servicio a clientes de ORECK al:

USA 1-800-989-3535
Canada 1-888-676-7325

Por favor especifique el número de modelo y el número de serie/código, el cual se puede encontrar en la placa de datos en la parte posterior de la aspiradora.

Guarde su recibo de ventas o de compra. En caso que su aparato ORECK necesitara servicio de garantía en los EE. UU., presente este recibo en el centro de servicio autorizado como su comprobante de fecha de compra, o en Canadá, llame a servicio a clientes.

**Accesorios
Vendido Por separado**

USA: 1-800-989-3535 Canada: 1-888-676-7325

ITEM	PART #
1. Bolsas para polvo Celoc(r) Hypo-Allergenic, paquete de 5 1 filtro de motor 1 filtro de escape	ET511PK
2. Filtro avanzado Hepa	1100HF

**INSTRUCCIONES IMPORTANTES
DE SEGURIDAD**

Cuando utilice un aparato eléctrico, siempre debe seguir precauciones básicas, incluyendo las siguientes:

**LEA TODAS LAS INSTRUCCIONES ANTES
DE USAR ESTA ASPIRADORA**



ADVERTENCIA

**Para reducir el riesgo de incendio,
descarga eléctrica o lesiones:**

- No deje el aparato sin atender cuando esté conectado. Desconéctelo de la toma de corriente cuando no esté en uso y antes de darle servicio.
- No la use en exteriores ni en superficies mojadas.
- No permita que se use como juguete. Es necesario poner mucha atención cuando la usen los niños o cuando se use cerca de ellos.
- Usela solamente como se describe en este manual. Utilice solamente los aditamentos recomendados por el fabricante.
- Apagar siempre este artefacto antes de conectar o desconectar ya sea la manguera o la boquilla motorizada.
- La manguera contiene cables eléctricos. No usar si está dañada, cortada o pinchada. Evitar aspirar objetos aguzados.
- No la use con el cordón o clavija dañados. Si la aspiradora no funciona como debería, si se ha caído, dañado, dejado en exteriores, o dejado caer en agua, envíela a un centro de servicio o llame a servicio a clientes al:
US: 1-800-989-3535
CANADA: 1-888-676-7325
- No tire de ella ni la mueva por el cordón, ni use el cordón como asa, no cierre la puerta sobre el cordón, ni jale el cordón alrededor de bordes o esquinas afiladas. Mantenga el cordón lejos de las superficies calientes.
- Sujetar el enchufe al enrollar en el carretel del cordón. No permitir que el enchufe oscile violentamente al enrollar.
- No opere el aparato sobre el cordón.
- No lo desconecte jalando el cordón. Para desconectarlo, tome la clavija, no el cordón.
- No manipule la clavija ni el aparato con las manos mojadas.
- No ponga objetos pesados en las aberturas. No lo use con alguna abertura bloqueada; manténgalo libre de polvo, pelusa, cabello y cualquier cosa que pueda reducir el flujo de aire.
- Mantenga el cabello, ropa suelta, dedos y todas las partes del cuerpo lejos de las aberturas y partes móviles.
- No la use para que aspire cualquier cosa que se esté quemando o arrojando humo, como cigarrillos, cerillos o cenizas calientes.
- No la use sin el ensamblaje de la bolsa de filtro en su lugar.
- Apague todos los controles antes de desconectarla.
- Tenga cuidado especial cuando limpie alguna escalera.
- No la use para aspirar líquidos inflamables o combustibles, como gasolina o líquido para encendedores, ni la use en áreas donde puedan estar presentes.
- No use el aparato en espacios cerrados donde puedan emanarse vapores inflamables, explosivos o tóxicos por pintura a base de aceite, adelgazador de pintura, algunas sustancias a prueba de moho, o en un área donde haya presente polvo inflamable.
- No aspire con este aparato material tóxico como blanqueador con cloro, limpiador de drenajes, gasolina, etc.

**GUARDE ESTAS INSTRUCCIONES
Sólo para uso casero**

Garantía

ORECK MANUFACTURING COMPANY: (ORECK le ofrece la siguiente garantía limitada para este producto solamente si se compró originalmente para usarse, no para revenderse, de ORECK o de un distribuidor minorista autorizado por ORECK.)

ORECK reparará o reemplazará, gratis, al comprador original, toda parte que se determine ser defectuosa en material o mano de obra dentro de los tres (3) años de la fecha de compra; (5) años para el motor. Cualquier uso comercial de este producto anulará esta garantía limitada.

Las correas de impulsión, cepillos revolventes, bombillas, bolsas desechables y otras piezas sujetas al desgaste normal no se cubren con esta garantía limitada.

Esta garantía limitada no aplica para cualquier parte sujeta a accidente, abuso, al uso comercial del abuso, alteración, uso indebido, daños provocados por incendio o causas de fuerza mayor, uso de voltajes diferentes a los indicados en la placa del número de serie de este producto, o el servicio de este producto por alguien que no forme parte de ORECK o de un centro de servicio autorizado de fábrica de ORECK.

La garantía limitada de ORECK no autoriza a cualquier persona o representante a asumir u otorgar cualquier otra obligación de garantía con la venta de este producto.

La garantía limitada de ORECK es válida solamente si mantiene su comprobante de compra para este producto de ORECK o de un distribuidor minorista autorizado por ORECK. Si compra este producto de cualquier otra fuente, su compra es "TAL CUAL", lo que significa que ORECK no le otorga garantía alguna, y que usted, no ORECK asume el riesgo total de la calidad y el desempeño de este producto, incluyendo el costo total de cualquier servicio o reparaciones necesarias de cualquier defecto.

La responsabilidad por daños de ORECK para usted por cualquier costo que surja por esta declaración de garantía limitada se limitará al monto pagado por este producto al momento de la compra original, y ORECK no será responsable de cualquier daño directo, indirecto, consecencial o incidental que surja por el uso o incapacidad de uso de este producto.

Algunos estados no permiten la exclusión o la limitación de daños incidentales o consecenciales, así que la limitación o exclusión anterior puede no aplicar para usted.

TODAS LAS GARANTIAS EXPRESAS E IMPLICITAS PARA ESTE PRODUCTO, INCLUYENDO LAS GARANTIAS IMPLICITAS DE CAPACIDAD DE COMERCIALIZACION Y APTITUD PARA UN PROPOSITO EN PARTICULAR, ESTAN LIMITADAS EN DURACION AL PERIODO DE LA GARANTIA, Y NO APLICARA NINGUNA GARANTIA, EXPRESA O IMPLICITA, DESPUES DE ESTE PERIODO.

Algunos estados no permiten las limitaciones en la duración de las garantías implícitas, así que la limitación anterior puede no aplicar para usted.

Esta garantía le concede derechos legales específicos, y puede también tener otros derechos que varían de estado a estado.

Guía para identificación de problemas



ADVERTENCIA: Desconecte el cordón de la toma eléctrica antes de dar servicio.

AHORRESE LAS LLAMADAS DE SERVICIO... REVISE PRIMERO LO SIGUIENTE:

- ¿Está llena la bolsa para polvo de filtro desechable?
- ¿Hay poros de la bolsa para polvo de filtro tapados con polvo fino?
- ¿Hay algo que tape el cepillo revolvente, el tubo inferior, la abertura de admisión, el bastidor del ventilador, o la abertura de ensamblaje de la conexión?

PROBLEM	POSSIBLE SOURCE	AREAS TO CHECK
LA ASPIRADORA NO FUNCIONA	No está bien conectada. No hay electricidad en la toma de corriente en la pared.	Asegúrese que la aspiradora esté firmemente conectada en la toma de corriente de la pared. Revise el fusible de la fuente de electricidad o el interruptor automático del circuito.
EL APARATO NO ASPIRA	La bolsa del filtro está llena. Los filtros de toma y escape están bloqueados. La manguera, la vara o los accesorios están obstruidos. El control de aspiración en el mango está abierto.	Reemplazar la bolsa del filtro. Ver "Instalación de la bolsa del filtro". Reemplazar los filtros. Ver "Reemplazo del filtro de toma" y "Reemplazo del filtro de escape". Despejar la obstrucción. Cerrar el control de aspiración.
LA BOQUILLA MOTORIZADA NO FUNCIONA	El interruptor del mango está apagado. El cepillo de la boquilla motorizada está obstruido.	Conectar el interruptor del mango. Despejar la obstrucción, esperar diez minutos para que la boquilla motorizada se regradúe.

TOUTES LES AUTRES RÉPARATIONS DOIVENT ÊTRE FAITES DANS UN CENTRE DE RÉPARATION AUTORISÉ.

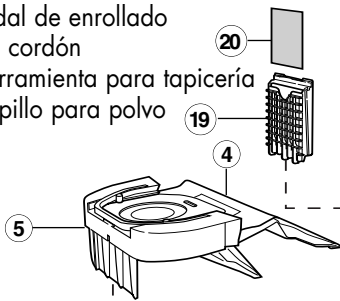
APPELEZ LE SERVICE TÉLÉPHONIQUE GRATUIT D'ASSISTANCE À LA CLIENTÈLE
US: 1-800-989-3535
CANADA: 1-888-676-7325

Lorsque vous téléphonez, n'oubliez pas de noter le numéro de modèle et le numéro de série de l'appareil, lesquels figurent sur sa plaque signalétique.

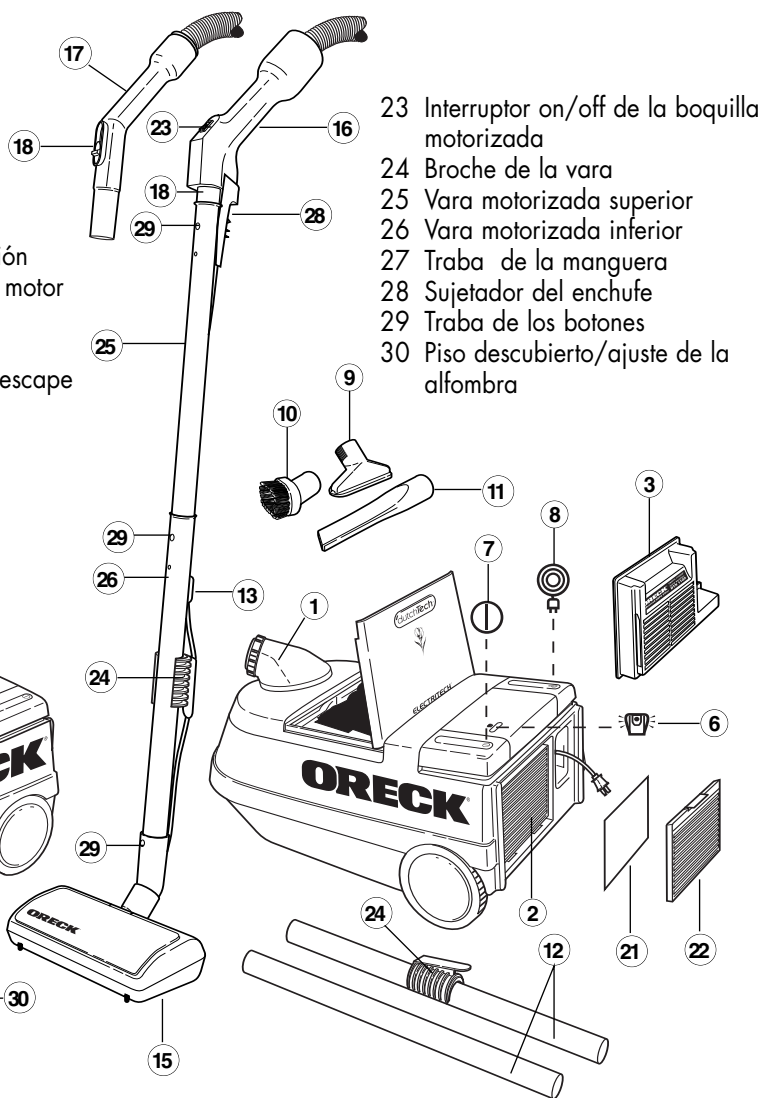
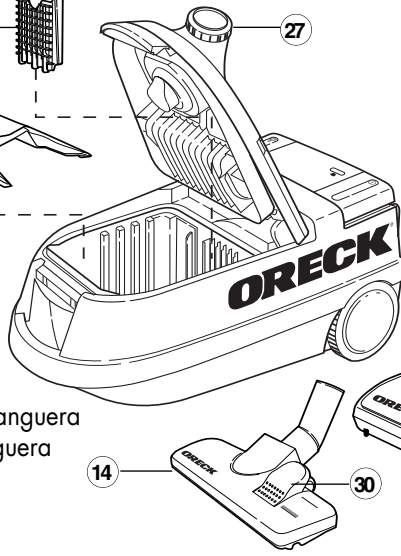
Ensamblaje

Asistencia para identificar los componentes de su aspiradora.
Los componentes varían con los juegos de accesorios:

- | | |
|--|---------------------------------|
| 1 Toma | 18 Control de aspiración |
| 2 Escape | 19 Rejilla del filtro del motor |
| 3 Filtro avanzado Hepa
(vendido por separado) | 20 Filtro del motor |
| 4 Bolsa del filtro | 21 Filtro de escape |
| 5 Caja de la bolsa del filtro | 22 Rejilla del filtro de escape |
| 6 Indicador de bolsa llena | |
| 7 Pedal de electricidad conectada /desconectada | |
| 8 Pedal de enrollado del cordón | |
| 9 Herramienta para tapicería | |
| 10 Cepillo para polvo | |



- | |
|----------------------------------|
| 11 Herramienta para rendijas |
| 12 Varas de frotamiento |
| 13 Canal del cordón |
| 14 Boquilla estándar |
| 15 Boquilla motorizada |
| 16 Mango motorizado con manguera |
| 17 Mango estándar con manguera |



Preparación para su utilización

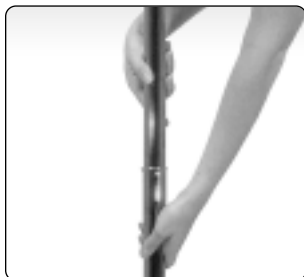


Conectar la manguera insertando firmemente el extremo de la manguera dentro de la abertura de la toma del cartucho hasta que calce al emitir un sonido "click".

Para desconectar la manguera, girar la traba de la manguera en la toma del cartucho para destrabar la manguera y extraer.

Ensamblado de las varas estándar y de la boquilla.

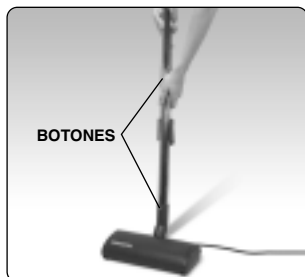
Para asegurar, insertar el extremo más pequeño de la vara superior dentro del extremo más grande.



Insertar firmemente el extremo pequeño de la vara inferior dentro de la boquilla con el broche de la vara enfrentada hacia la parte posterior.

Presionando firmemente, insertar el mango dentro de la vara inferior.

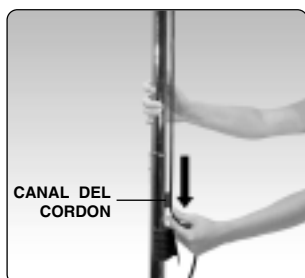
Preparación para su utilización



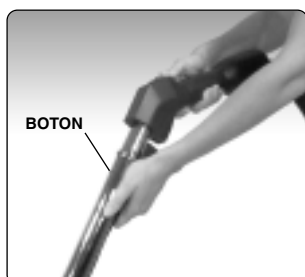
Ensamblado de la boquilla motorizada y las varas,
Insertar la vara superior dentro de la vara inferior hasta que el botón calce. Insertar la vara inferior dentro de la boquilla motorizada hasta que el botón calce.



Insertar el enchufe de la boquilla motorizada dentro del receptáculo del enchufe en la vara superior



Tirando hacia abajo del cordón, presionar el cordón dentro del canal del cordón en la vara del fondo.
Por conveniencia, no desarmar para almacenar.



Insertar el mango motorizado dentro de la vara superior hasta que calce el botón.



Tirar del enchufe de la unidad e insertar dentro del enchufe de pared.

Instrucciones de operación

Aviso de la clavija polarizada

Este producto viene equipado con una clavija polarizada para línea de corriente alterna (una clavija que tiene una espiga más ancha que la otra). Esta clavija solamente se ajusta de una sola manera en la toma de corriente. Esta es una característica de seguridad. Si no puede insertar la clavija completamente en la toma de corriente, intente invirtiendo la clavija. Si todavía no puede insertarla, llame a un electricista para que reemplace la toma de corriente obsoleta. No le quite el propósito a la clavija polarizada.



Para encender, presionar el pedal on/off (encender) ubicado en la parte posterior del cartucho.



Si se usa una boquilla motorizada, encender/apagar la boquilla motorizada usando el interruptor ubicado en el mango.



Usando la boquilla estándar, la misma es ajustable para usar sobre alfombras (sin cepillo) o pisos duros (con cepillo).

Para ajustar la aspiración, usar la corredera de control de aspiración en la manguera estándar y en el mango motorizado.



Para ajustar la potencia del motor, usar la corredera de control en el tope de la unidad.

Los accesorios pequeños pueden usarse con una vara de frotamiento o el mango, solamente.



Reemplazo de la bolsa de filtro



INDICADOR DE BOLSA LLENA

Inspeccionar frecuentemente la bolsa o cuando el indicador de llenado de la bolsa indica que la bolsa para polvo está llena.

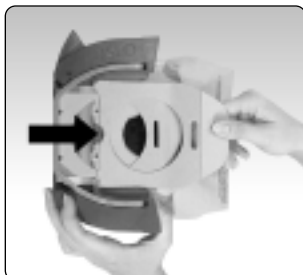
Nota: Cambiar más frecuente la bolsa para polvo al aspirar desechos pesados.



Apagar la unidad. Desenchufar la unidad del enchufe de pared. Abrir la cubierta levantando el pasador delante de la toma.



Extraer la bolsa para polvo elevando el mango de la caja del filtro y elevando y extrayendo la caja.



Extraer la bolsa de la caja tirando de la aleta de cartón. El cierre hermético para polvo Saniseal(tm) se cerrará automáticamente.



Insertar una nueva bolsa dentro de la caja deslizando el cartón dentro de las ranuras de la caja hasta que la bolsa esté completamente insertada. Plegar hacia abajo la parte posterior de la bolsa para polvo.



Volver a colocar la caja dentro de la unidad.

Cerrar la cubierta presionando hacia abajo hasta que calce. La cubierta no puede cerrarse si la bolsa no está presente o apropiadamente insertada.

Reemplazo del filtro del motor



Desenchufar la unidad del enchufe de pared. Extraer la bolsa para polvo y la caja para alcanzar la rejilla del filtro del motor.

Usando la aleta ubicada al tope de la rejilla del filtro levantar la misma fuera de la unidad.



Extraer el filtro de la rejilla y reemplazar con un nuevo filtro. Cambiar el filtro del motor cada cinco nuevas bolsas para polvo.

Reemplazo del filtro del escape



Desenchufar la unidad del enchufe de pared. Extraer la rejilla de escape de la parte posterior de la unidad presionando hacia abajo y tirando hacia afuera de la aleta ubicada al tope de la rejilla.



Descartar el filtro usado de escape. Colocar un nuevo filtro en la rejilla. Colocar las aletas de la rejilla en las ranuras. Presionar el tope de la rejilla para que calce cerrada. El filtro de escape debe cambiarse cada cinco nuevas bolsas para polvo.

Nota: Si se compró el filtro Hepa, no se necesita el filtro de escape.

INSTALACION DEL FILTRO AVANZADO HEPA



Extraer la rejilla de escape.



Instalar el filtro avanzado Hepa alineando las aletas dentro de las ranuras y presionando el tope para calzar cerrado.

Nota: Reemplazar el filtro Hepa una vez por año o cada cinco bolsas nuevas para polvo.

Almacenamiento



Apagar la unidad y desenchufar el cordón del enchufe de pared. Enrollar el cordón presionando el pedal de enrollar. No permitir que el enchufe oscile violentamente al enrollar.



Colocar la aspiradora sobre un extremo e insertar cada broche de la vara dentro de la ranura ubicada en la base de la aspiradora.

Desconecte del mango y almacene ensamblado, para un almacenamiento conveniente del conjunto de la boquilla motorizada.

