

E N G L I S H

ORECK[®] XL[®]

S I M P L Y A M A Z I N G [™]

F R A N Ç A I S

GUIDE D'UTILISATION PAGE 8

E S P A Ñ O L

GUIA DEL USUARIO PAGE 14



USA: 1-800-989-3535
CANADA: 1-888-676-7325



WWW.ORECK.COM



VISIT ONE OF OUR
OVER 400 LOCATIONS



USER'S GUIDE

XL2250RS XL2200RS XL2300RS

HIGH SPEED UPRIGHT VACUUM
CLEANER WITH

MicroSweep[™]
CLEANING SYSTEM

• IMPORTANT •
SAVE THIS BOOKLET!

Includes:

- Safety Warnings
- Warranty
- Operating Instructions
- Trouble Diagnosis
- Accessories

**BEFORE OPERATING
CLEANER, READ ALL
INSTRUCTIONS IN THIS
MANUAL CAREFULLY.**

Table of Contents

Maintenance and Customer Service,
Important Safety Instructions page 2

Warranty,
Troubleshooting Guide page 3

Assembly,
Operating Instructions page 4

Operating Instructions cont.,
To Replace Paper Filter Dust Bag . . . page 5

How to Replace a Worn Belt,
Stuffing or Blockage page 6

Using a Fresh Air Tab,
Bulb Replacement,
To Adjust or Replace Brush page 7

Français Guide D'utilisation page 8

Español Guia Del Usuario page 14

**Maintenance and
Customer Service**

Your ORECK vacuum cleaner is a product of precise engineering. The motor bearings are permanently lubricated and should not be oiled. If you require additional information or have problems with your ORECK appliance, you may call ORECK customer service at:

USA 1-800-989-3535
Canada 1-888-676-7325

Please specify the model number and serial/code number which can be found on the data plate on the back of the vacuum.

Save your sales or purchase slip. Should your ORECK appliance require warranty service in the U.S.A., present this slip to the Authorized Service Center as your proof of purchase date or, in Canada, call customer service.

**Accessories
Sold Separately**

USA: 1-800-989-3535 CANADA: 1-888-676-7325

ITEM	PART #
1. Dust Bag, 8 Pack, Saniseal™ ACDS Hypo-Allergenic	CCPK8DW
Dust Bag, 8 Pack, Regular	CCPK8
2. Belts, 3 Pack	0300604
3. Fresh Air Tabs	AIRTABS
4. Light Bulb	00965-0019

**IMPORTANT
SAFETY INSTRUCTIONS**

When using an electrical appliance, basic precautions should always be followed, including the following:

**READ ALL INSTRUCTIONS BEFORE
USING THIS VACUUM CLEANER**



WARNING

**To reduce the risk of fire,
electric shock, or injury:**

- Do not leave appliance unattended when plugged in. Unplug from outlet when not in use and before servicing.
- Do not use outdoors or on wet surfaces.
- Do not operate the unit while in the upright and locked position.
- Do not let the unit run while in any one stationary position for any period of time. Keep the unit moving while in operation.
- Do not allow to be used as a toy. Close attention is necessary when used by or near children.
- Use only as described in this manual. Use only manufacturer's recommended attachments.
- Do not use with damaged cord or plug. If appliance is not working as it should, has been dropped, damaged, left outdoors, or dropped into water, return it to a service center or call customer service at: US: 1-800-989-3535
CANADA: 1-888-676-7325
- Do not pull or carry by cord, use cord as a handle, close door on cord, or pull cord around sharp edges or corners. Keep cord away from heated surfaces.
- Do not run appliance over cord.
- Do not unplug by pulling on cord. To unplug, grasp the plug, not the cord.
- Do not handle plug or appliance with wet hands.
- Do not put any object into openings. Do not use with any opening blocked; keep free of dust, lint, hair and anything that may reduce air flow.
- Keep hair, loose clothing, fingers and all parts of body away from openings and moving parts.
- Do not use to pick up anything that is burning or smoking, such as cigarettes, matches, or hot ashes.
- Do not use without filter bag assembly in place.
- Turn off all controls before unplugging.
- Use extra care when cleaning on stairs.
- Do not use to pick up flammable or combustible liquids, such as gasoline or lighter fluid, or use in areas where they may be present.
- Do not use appliance in an enclosed space where flammable, explosive or toxic vapors are given off by oil base paint, paint thinner, some mothproofing substances, or in an area where flammable dust is present.
- Do not pick up toxic material such as chlorine bleach, drain cleaner, gasoline, etc. with this appliance.

**SAVE THESE INSTRUCTIONS
Household Use Only**

Polarized Plug Notice

This product is equipped with a polarized alternating current line plug (a plug having one blade wider than the other). This plug will fit into the power outlet only one way. This is a safety feature. If you are unable to insert the plug fully into the outlet, try reversing the plug. If the plug should still fail to fit, contact an electrician to replace the obsolete outlet. Do not defeat the purpose of the polarized plug.

Warranty

ORECK MANUFACTURING COMPANY: (ORECK gives you the following limited warranty for this product only if it was originally purchased for use, not resale, from ORECK or an ORECK Authorized Retail Dealer.)

ORECK will repair or replace, free of charge, to the original purchaser, any part which is found to be defective in material or workmanship within three (3) years of the date of purchase; 10 years on housing. This limited warranty applies to normal domestic use. Any commercial use of this product will void this limited warranty.

Drive belts, revolving brushes, bulbs, disposable bags, and other parts subject to normal wear are not covered by this limited warranty.

This limited warranty does not apply to any part subjected to accident, abuse, commercial use, alteration, misuse, damage caused by fire or act of God, the use of voltages other than indicated on the serial number plate of this product or service of this product by other than ORECK or an ORECK Factory Authorized Service Center.

ORECK does not authorize any person or representative to assume or grant any other warranty obligation with the sale of this product.

ORECK's limited warranty is valid only if you retain proof of purchase from ORECK or an ORECK Authorized Retail Dealer for this product. If you purchase this product from any other source, your purchase is "AS IS," which means ORECK grants you no warranty, and that you, not ORECK, assume the entire risk of the quality and performance of this product, including the entire cost of any necessary servicing or repairs of any defects.

ORECK's liability for damages to you for any costs whatsoever arising out of this statement of limited warranty shall be limited to the amount paid for this product at the time of original purchase, and ORECK shall not be liable for any direct, indirect, consequential or incidental damages arising out of the use or inability to use this product.

Some states do not allow the exclusion or limitation of incidental or consequential damages, so the above limitation or exclusion may not apply to you.

ALL EXPRESS AND IMPLIED WARRANTIES FOR THIS PRODUCT, INCLUDING IMPLIED WARRANTIES OF MERCHANTABILITY AND FITNESS FOR A PARTICULAR PURPOSE, ARE LIMITED IN DURATION TO THE WARRANTY PERIOD, AND NO WARRANTIES, WHETHER EXPRESS OR IMPLIED, WILL APPLY AFTER THIS PERIOD.

Some states do not allow limitations on the duration of implied warranties, so the above limitation may not apply to you.

This warranty gives you specific legal rights, and you may also have other rights which vary from state to state.

Troubleshooting Guide



WARNING: Unplug cord from electrical outlet before servicing.

SAVE SERVICE CALLS...CHECK THESE FIRST:

- Is the disposable filter dust bag full?
- Are pores of filter dust bag clogged with powder or fine dust?
- Is anything clogging the revolving brush, lower tube, intake opening, fan housing or connector assembly opening?
- Is the belt in place and turning the brush?
- Are the brush ends in the proper location?
- Does the brush turn freely? Are hair, string or rug fibers wound around the brush?

PROBLEM	POSSIBLE SOURCE	AREAS TO CHECK
CLEANER WILL NOT RUN	Not plugged in properly.	Be sure cleaner is firmly plugged into wall outlet.
	No electricity in wall outlet.	Check electrical source—fuse or circuit breaker.
	Plug not firmly in handle assembly.	Plug firmly in handle assembly.
CLEANER DOES NOT PICK UP	Filter bag is full.	Replace filter bag. See "To Install Paper Filter Dust Bag."
	Nozzle or intake pivot clogged.	Clear obstruction.
	Belt is broken or stretched.	Replace belt.
	Brush is worn.	Replace brush if bristles do not extend beyond base plate.
	Bag tube clogged.	Clear obstruction.
	Bag pores are clogged with fine dust.	Change bag.
	Impeller fan is broken.	Return to Service Center for repair.
Revolving brush is not even at both ends.	Check bearing seal. Make sure words "old" or "new" match at each end.	

ALL OTHER SERVICING SHOULD BE DONE BY AN ORECK AUTHORIZED SERVICE CENTER.

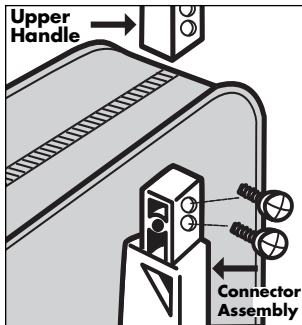
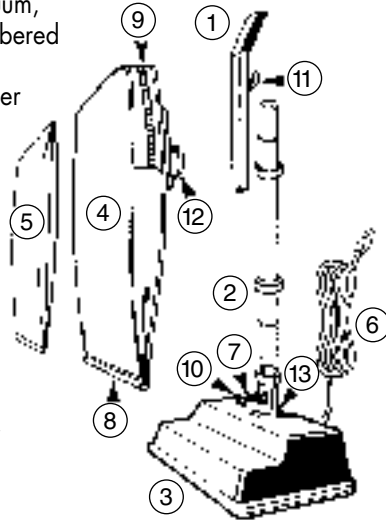
**CALL CUSTOMER SERVICE HOT LINE
US: 1-800-989-3535
CANADA: 1-888-676-7325**

Whenever calling, please be sure to have your model and serial number from data plate.

Assembly

To assist you in identifying components of your vacuum, the parts have been numbered as follows:

- 1 Handle section, upper
- 2 Tube, lower
- 3 Power head
- 4 Outer bag
- 5 Paper filter dust bag
- 6 Power cord
- 7 Retaining spring
- 8 Bag tension bar
- 9 Zip fastener
- 10 On/off switch
- 11 Cord hook
- 12 Connector assembly
- 13 Fan housing



Before assembling appliance. Remove two (2) screws from connector assembly (12). Slide upper handle section (1) over matching section of the connector assembly (12), aligning screw holes. Finally, insert screws in holes and tighten firmly until handle is no longer loose.

Operating Instructions

To Operate

Make sure disposable paper filter dust bag is in place. **DO NOT** operate the cleaner without a paper filter dust bag. Plug the power cord into an electrical outlet and press the On (I) - OFF (O) switch on top of base when ready to operate.

General Information

The performance of your new cleaner greatly depends upon care and maintenance. The instructions in this manual will guide you in performing basic care and maintenance. To obtain the most satisfying years of service read the instructions and keep them handy for future reference.

Operating Recommendations

This new ORECK XL High-Speed Upright is one of the finest, fastest, and strongest units in its class. You'll love the way it cleans, gets under things, and it's SO lightweight and easy to use.

The following are a few simple suggestions regarding its operation:

1. When inserting a new disposable paper filter dust bag—**FIRST PUFF OUT** and **OPEN THE BAG**.
2. When the disposable filter dust bag is full, **REPLACE IT**.
3. If at any time the machine does not pick up properly or makes an unusual noise, **STOP OPERATION** and service.
4. Although your upright will pick up pins, paper clips, and other small objects, it is recommended that these be removed from the floor before you vacuum. Failure to do so may result in permanent damage to the motor suction fan and its housing.
5. **WARNING:** Do not use your vacuum cleaner on damp or wet surfaces. This will cause damage to the vacuum cleaner and is dangerous to the user. Damage caused by use on wet or damp surfaces is not covered under warranty.
6. **REPLACE THE BELT EVERY 6 MONTHS.**
7. Change the disposable filter dust bag at least once a month—even if it is not full! The collected dust in the dust bag can cause odor, attract moisture, act as a breeding area and can affect the efficiency of the cleaner.
8. **DO NOT run the vacuum cleaner over cord. The revolving brush could damage the cord.**

Disposable Paper Filter Dust Bags

Disposable paper filter dust bags play a very important role in the efficiency of your ORECK vacuum cleaner. The purpose of the paper bag is to trap dirt, but at the same time it must be porous enough to allow air to pass through. If the paper bag becomes clogged, no air can pass through the cleaner and cleaning cannot take place, regardless of the cleaner's power. Increase the **CLEANING POWER** of your cleaner by changing the bag often.

To keep your cleaner operating at maximum efficiency, change the dust bag frequently. **DO NOT FILL ABOVE THE LINE INDICATED ON THE DUST BAG.**

Be sure the disposable paper filter dust bag is installed properly.

All paper dust bags are not the same. Your ORECK disposable dust bags have been designed to be used with the ORECK cleaner and using bags other than genuine ORECK disposable bags will affect the cleaning ability of your cleaner and could cause damage to it.

The Belt

The belt on your vacuum cleaner controls the speed of the revolving brush and is very important for the effective operation of the cleaner. If the belt becomes stretched or cut, it will cause the revolving brush to stop completely or slow down. See instructions in the manual for replacing belt.

An extra belt is stored in the base plate of your cleaner. When buying replacement belts, use ONLY ORECK genuine belts. Belts other than ORECK belts will not operate the revolving brush correctly and may create undue stress which will cause damage to the motor and brush bearings. Using belts other than ORECK belts will void the warranty.

Lubrication

The vacuum cleaner motor bearings are factory lubricated and seated. Further lubrication is not required.

General Cleaner Care

At least once a month, check for and remove excessive lint, string or hair from revolving brush.

Wipe the outside of the cleaner with a damp cloth. Also clean the connector deflector assembly area, base of cleaner and fan housing area. If there is dust in the outer bag, vacuum it or shake it out.

A little preventative maintenance will keep your cleaner looking new and will ensure continued cleaning effectiveness.

CAUTION—Wood Floors, Soft (Vinyl, Asphalt Tile, etc.) Floor Surfaces and Polished Floor Finishes

Use floor and floor finish manufacturer's recommended methods of cleaning. The metal strip on the base of the cleaner could be damaged if used on concrete or abrasive surfaces, and, therefore, cause damage to wood floors, soft (vinyl, asphalt tile, etc.) floor surfaces and polished floor finishes. The roller brush may also scuff very soft finishes. Do not operate the unit while in the upright and locked position. Do not let the unit run while in any one stationary position for any period of time. Keep the unit moving while in operation.

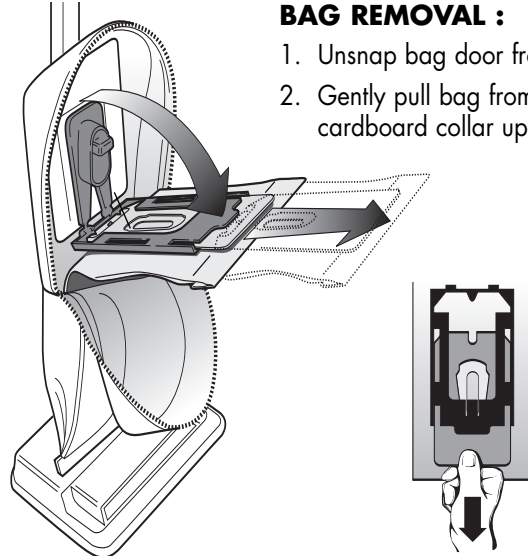
To Replace Filter Dust Bag



WARNING: Unplug cord from electrical outlet before servicing.

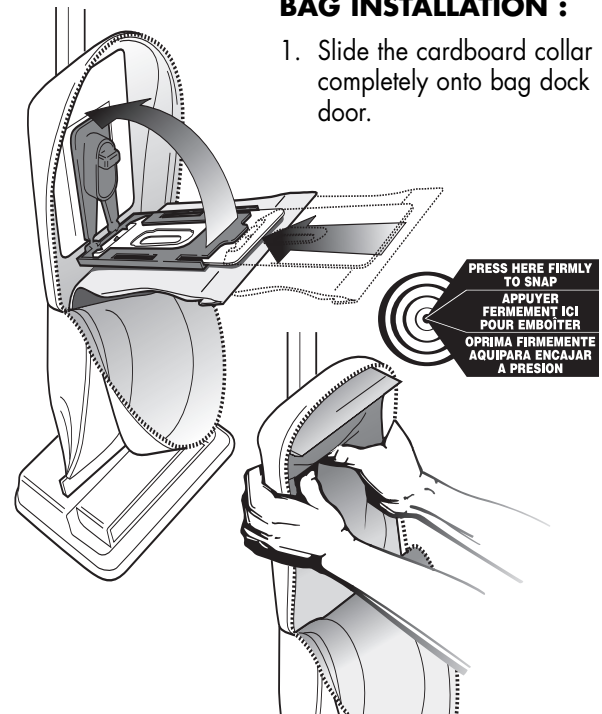
BAG REMOVAL :

1. Unsnap bag door from base.
2. Gently pull bag from cardboard collar upwards.



BAG INSTALLATION :

1. Slide the cardboard collar completely onto bag dock door.



2. Firmly push bag dock door with both thumbs on indication point until it snaps.

How to Replace a Worn Belt

! WARNING: Unplug cord from electrical outlet before servicing.



Remove the replacement belt from the storage channel.



Remove the door by removing the hold down screw located on side of power head.



Slide the door forward by prying open with a screwdriver or coin.



Remove the belt from the brush roll pulley and the motor drive shaft.



Loop the new belt over the motor drive shaft. Place the opposite end of the belt on the top of the brush pulley and roll the belt around the pulley.



Using your thumb and finger, rotate the belt on the pulley, ensuring that the belt encircles the entire circumference of the pulley.

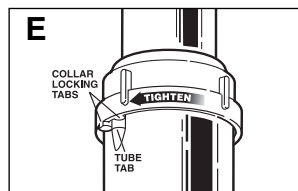
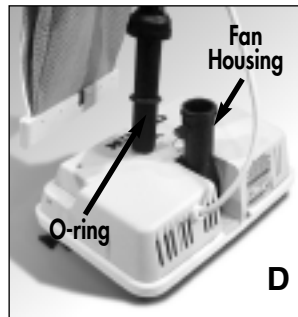
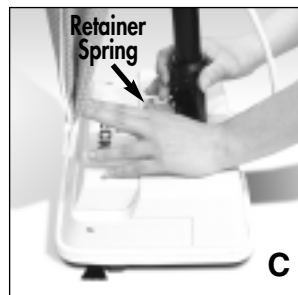
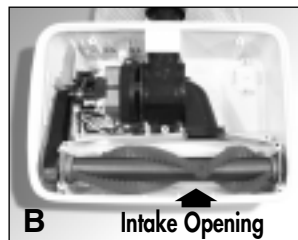
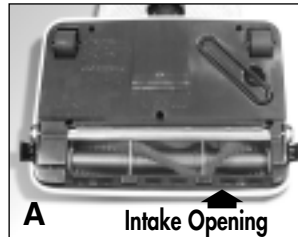


Replace the door by sliding it into the groove at the bottom of the housing. Replace the hold down screw.

Stuffing or Blockage

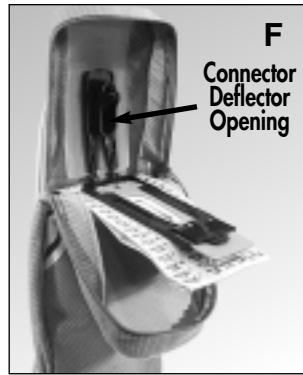
Under certain conditions it is possible to stuff or block the intake tube and the lower tube assembly. If your vacuum cleaner does not pick up properly, or makes unusual noise and the outer bag does not fluff up or balloon open, follow the following steps:

! WARNING: Unplug cord from electrical outlet before servicing.



1. Check for blockage at the mouth of the intake opening. See illustration A. If there is blockage, remove it with long-nose pliers, a screwdriver or coat hanger. If you can not reach the blockage, remove base plate. See illustration B.
2. If the blockage is not at the base, remove lower tube. See illustration C. Unhook retainer spring, releasing bottom of bag. Twist lower collar counter clockwise to slide up. Pull tube out of base. Check for blockage. If blockage is in the tube, remove with a coat hanger.
3. If tube is not blocked, look into fan housing. See illustration D. Remove debris with long-nose pliers, a screwdriver or coat hanger.
4. To reassemble, check O-ring on tube, and replace if damaged. Vacuum will not operate properly without the tube O-ring. Slide O-ring to approximately 2" from base of tube. Replace tube by first lining up slot at base of tube with inner tab inside fan housing. Then reinsert tube and push down until the tube is seated. Make sure O-ring is in place against fan housing opening. Replace and tighten collar until collar locking tabs are locked in place. See illustration E. Make sure collar is not cross threaded on housing.

5. Many times blockage occurs due to a full dust bag causing dirt to back down the air flow system. When that happens, the blockage will be at the top of the system, starting in the area where the dust bag connects to the connector assembly. See illustration F.

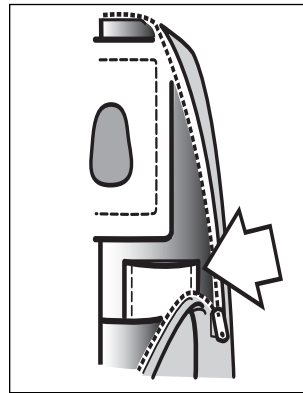


NOTE: If the above actions do not correct the problem, contact an ORECK authorized service center or call the customer service center. US: 1-800-989-3535
CANADA: 1-888-676-7325

IMPORTANT: On plush and new carpets, stuffing may occur due to excessive fuzz and loose cuttings in the carpet. Stuffing could occur for the first few cleanings until all the loose material is removed. Due to the high efficiency of the cleaner, many older carpets will cause stuffing when the cleaner is first used on them.

Using A Fresh Air™ Tab

Your ORECK XL vacuum cleaner has a special FRESH AIR tab pocket. This light-colored pocket is located inside the vinyl bag in the area where the paper disposable bag attaches to the intake tube. Insert tablet in pocket.



Bulb Replacement

WARNING: Unplug cord from electrical outlet before servicing.

Model XL2250 only



- Remove lamp housing by removing two (2) screws in the top of the lamp housing.
- Pull burned out bulb from holder and replace with new bulb.
- Replace lamp housing by replacing two screws in the top of the lamp housing.

To Adjust or Replace Brush

WARNING: Unplug cord from electrical outlet before servicing.



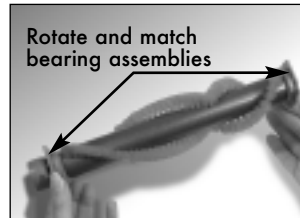
To determine if the brush is worn, place a firm straight edge across the nozzle opening. If brush bristles do not extend beyond base plate, brush should be adjusted.



Remove the base plate by removing 5 screws. Then, remove the belt and brush roll from the housing.



Rotate both bearing assemblies at ends of brush roll to show "old" and replace in the holding channels in the housing.



Rotate and match bearing assemblies

NOTE: The bearing assembly setting marked "OLD" has two bars (II) on the top of the assembly. The one marked "NEW" has one bar (I). When rotating bearings, make sure both bearing assembly settings are the same and face up when replacing the brush roll.



Reassemble the belt and the base plate and check bristle height above base plate at each end of brush.

IMPORTANT: Unless the brush is worn as indicated above, both bearings must be in the new position. When rotating, both bearings must be in the old position. Unmatched settings will cause damage to your machine.

If a previous adjustment has already been made and bristle height does not extend above base plate, a new brush assembly should be ordered.

ORECK® XL

TOUT SIMPLEMENT ÉTONNANT^{MC}

GUIDE D'UTILISATION FRANÇAIS



XL2250RS XL2200RS XL2300RS

ASPIRATEUR VERTICAL RAPIDE
A VEC SYSTÈME DE NETTOYAGE

MicroSweep^{MC}

• IMPORTANTE • CONSERVEZ CE FASCICULE

Comprend:
Avertissements de sécurité
Garantie
Mode d'emploi
Guide de dépannage
Accessoires

**AVANT D'UTILISER L'ASPIRATEUR,
LIRE ATTENTIVEMENT TOUTES LES
INSTRUCTIONS DE CE MANUEL.**

Table des matières

Entretien et service à la clientèle, Accessoires	page 8
Consignes de sécurité importantes, Garantie	page 9
Guide de dépannage, Assemblage	page 10
Mode d'emploi,	page 11
Remplacement du sac à poussières en papier filtre, Remplacement d'une courroie usée	page 12
Blocage ou bourrage, Utilisation d'une tablette Fresh Air, Remplacement de l'ampoule	page 13
Réglage ou remplacement du balai, Español Guia Del Usuario	page 14

Entretien et service à la clientèle

Votre aspirateur ORECK est un produit utilisant des mécanismes précis. Les paliers du moteur sont lubrifiés de façon permanente et ne doivent pas être huilés. Si vous avez besoin d'informations supplémentaires ou si vous avez des problèmes avec votre appareil ORECK, vous pouvez appeler le service à la clientèle ORECK au:

USA 1-800-989-3535
Canada 1-888-676-7325

Veuillez indiquer le numéro de modèle et le numéro de série/code apparaissant sur la plaque signalétique derrière l'aspirateur.

Conservez votre reçu de vente ou de caisse. Si votre appareil ORECK a un jour besoin d'une réparation sous garantie aux États-Unis, présentez ce coupon au centre autorisé de service après-vente comme preuve d'achat datée. Au Canada, appelez le service à la clientèle.

Accessoires Vendu Séparément

USA: 1-800-989-3535 CANADA: 1-888-676-7325

ITEM	PART #
1. 8 Sacs à poussière Saniseal ^{MC} Hypoallergiques ACDS	CCPK8DW
8 Sacs à poussière normaux	CCPK8
2. 3 courroies	0300604
3. Tablettes Fresh Air	AIR TABS
4. Ampoule électrique	00965-0019

CONSIGNES DE SÉCURITÉ IMPORTANTES

Lorsque vous utilisez un appareil électroménager, vous devez toujours prendre certaines précautions de base, y compris les suivantes:

LIRE TOUTES LES INSTRUCTIONS AVANT D'UTILISER CET ASPIRATEUR



AVERTISSEMENT

Pour réduire les risques d'incendie, d'électrocution et de blessure:

- Ne jamais laisser l'appareil branché sans surveillance. L'appareil doit être débranché après chaque utilisation et avant toute réparation.
- Ne jamais utiliser à l'extérieur ou sur une surface humide.
- Ne faites pas fonctionner l'unité dans la position verticale verrouillée.
- Le faites pas fonctionner l'unité pendant une longue période en position stationnaire. Continuez de déplacer l'unité lorsqu'elle est en marche.
- Ne doit pas servir de jouet. Une surveillance attentive est nécessaire lorsque l'appareil est utilisé par ou à proximité d'un enfant.
- Utilisez uniquement selon les instructions figurant dans ce manuel. Utilisez uniquement les accessoires recommandés par le fabricant.
- Ne jamais utiliser si le cordon d'alimentation ou la fiche de connexion sont endommagés. Si l'appareil ne fonctionne pas normalement, s'il a été échappé, s'il a été endommagé, s'il a été laissé à l'extérieur ou s'il est tombé dans l'eau, il faut le retourner à un centre de service après-vente ou appeler le service à la clientèle au US: 1-800-989-3535
CANADA: 1-888-676-7325
- Ne jamais tirer ou transporter l'appareil par le cordon d'alimentation, ni utiliser le cordon en guise de poignée, ni fermer une porte sur le cordon, ni tirer le cordon autour d'un coin à angle pointu. Garder le cordon à l'écart des surfaces chaudes.
- Ne pas faire avancer l'appareil sur le cordon.
- Ne jamais débrancher l'appareil en tirant sur le cordon. Pour débrancher, saisir la fiche et non le cordon.
- Ne jamais manipuler la fiche de connexion et l'appareil avec les mains humides.
- Ne jamais insérer d'objet dans les ouvertures. Ne pas utiliser si des ouvertures sont bloquées. Elles doivent être exemptes de poussière, de charpie, de cheveux et de toute autre substance pouvant réduire le débit d'air.
- Garder les cheveux, les vêtements amples, les doigts et toutes les parties du corps à bonne distance des ouvertures et des pièces mobiles.
- Ne jamais utiliser pour ramasser des substances chaudes ou fumantes, comme des cigarettes, des allumettes ou des cendres chaudes.
- Ne jamais utiliser sans sac filtrant.
- Avant de débrancher, arrêter toutes les commandes.
- Redoubler de prudence lors du nettoyage d'escaliers.
- Ne jamais utiliser pour ramasser des liquides inflammables ou combustibles, comme de l'essence à moteur ou à briquet.
- Ne jamais utiliser l'appareil dans un espace clos où se dégage des vapeurs inflammables, explosives ou toxiques provenant d'une peinture à l'huile, d'un diluant à peinture, de substances antimites, ni dans un espace où il y a des poussières inflammables.
- Cet appareil ne doit jamais servir à ramasser des substances toxiques comme la Javel, les produits de débouchage, l'essence, etc.

CONSERVER CES INSTRUCTIONS Usage ménager uniquement

Avis de fiche polarisée

Ce produit est équipé d'une fiche polarisée à courant alternatif (avec une patte plus large que l'autre). Cette fiche ne peut être insérée dans une prise électrique que dans un seul sens. Il s'agit d'un dispositif de sécurité. Si vous n'arrivez pas à insérer complètement la fiche dans un sens, essayez de la retourner. Si la fiche n'entre toujours pas, demandez à un électricien de remplacer votre ancienne prise. Ne tentez pas d'altérer la fiche polarisée.

Garantie

ORECK MANUFACTURING COMPANY : (La société ORECK vous offre avec ce produit la garantie limitée suivante, uniquement s'il a été acheté auprès de la société ORECK ou d'un revendeur autorisé ORECK pour l'utiliser et non pour le revendre.)

La société ORECK offre à l'acheteur original du produit de réparer ou remplacer sans frais toute pièce s'avérant présenter un défaut de matériau ou de main-d'oeuvre dans un délai de trois ans après la date d'achat, le boîtier étant quant à lui garanti 10 ans. Cette garantie limitée est valable pour un usage domestique normal. N'importe quelle utilisation commerciale de ce produit videra cette garantie limitée.

Les courroies d'entraînement, les balais rotatifs, les ampoules électriques, les sacs jetables et les autres pièces sujettes à l'usure ne sont pas couvertes par cette garantie limitée.

Cette garantie limitée ne couvre pas les pièces victimes d'un accident, d'un usage abusif, à l'utilisation commerciale d'abus, d'une modification, d'une mauvaise utilisation, de dommages causés par un incendie ou une catastrophe naturelle, ainsi que les appareils utilisés avec une tension électrique autre que celle indiquée sur leur plaque signalétique, ni les appareils réparés à l'extérieur de la société ORECK ou d'un centre de service après-vente ORECK.

La société ORECK n'autorise aucune personne et aucun représentant à accorder ou offrir d'autres clauses de garantie avec ce produit.

La garantie limitée ORECK est valable uniquement si vous conservez une preuve d'achat de la société ORECK ou d'un revendeur autorisé ORECK. Si vous achetez ce produit ailleurs, vous l'achetez «en l'état», ce qui signifie que la société ORECK ne vous accorde alors aucune garantie. Dans ce cas, vous assumez tout le risque relatif à la qualité et aux performances de ce produit, ce qui comprend tous les frais de réparation et de correction d'éventuels défauts.

La responsabilité de la société ORECK pour d'éventuels dommages subis par vous ou relativement aux frais qui découlent de cet énoncé de garantie limitée ne peut dépasser le montant payé pour ce produit lors de son achat original. La société ORECK ne peut être tenue responsable de tout dommage direct ou indirect relatif à l'utilisation ou à l'incapacité d'utiliser ce produit.

Puisque certains États ou provinces interdisent l'exclusion ou la restriction des dommages indirects, il est possible que l'exclusion ou la restriction ci-dessus ne s'applique pas à vous.

TOUTE GARANTIE EXPRESSE OU IMPLICITE RELATIVE À CE PRODUIT, Y COMPRIS LES GARANTIES IMPLICITES DE QUALITÉ COMMERCIALE OU DE CONVENANCE À UN USAGE QUELCONQUE, S'APPLIQUE PENDANT UNE DURÉE ÉQUIVALENTE À LA PÉRIODE DE GARANTIE ET AUCUNE GARANTIE EXPRESSE OU IMPLICITE NE POURRA S'APPLIQUER APRÈS CETTE PÉRIODE.

Puisque certains États ou provinces ne permettent pas les restrictions sur la durée des garanties implicites, il est possible que la restriction ci-dessus ne s'applique pas à vous.

Cette garantie vous accorde des droits juridiques précis et il est également possible que vous ayez d'autres droits dépendant de votre lieu de résidence.

Guide de dépannage



AVERTISSEMENT : Avant d'exécuter cette opération, débranchez le cordon d'alimentation de la prise murale.

NE CONSULTEZ PAS INUTILEMENT UN RÉPARATEUR...
VÉRIFIEZ D'ABORD CE QUI SUIT:

- Est-ce que le sac jetable en papier filtre est plein?
- Est-ce que les pores du sac filtrant sont bouchés avec de la poudre ou de la poussière fine?
- Quelque chose bloque-t-il le balai tournant, le tube inférieur, l'ouverture d'admission, le ventilateur ou l'ouverture du connecteur?
- Est-ce que la courroie est en place et fait tourner le balai?
- Est-ce que les extrémités du balai sont correctement placées?
- Est-ce que le balai tourne librement? Y a-t-il des cheveux, des fils ou des fibres de moquette enroulées autour du balai?

PROBLÈME	CAUSE POSSIBLE	VÉRIFICATIONS
L'ASPIRATEUR NE FONCTIONNE PAS	L'appareil est mal branché.	Assurez-vous que l'aspirateur est correctement branché dans la prise murale.
	Aucune électricité n'arrive à la prise murale.	Vérifiez le fusible ou le disjoncteur du circuit utilisé.
	Le cordon d'alimentation est mal branché dans le manche.	Branchez solidement le cordon d'alimentation dans le manche.
L'ASPIRATEUR NE RAMASSE PAS LES SALETÉS	Le sac filtrant est plein.	Remplacez le sac filtrant (voir «Installation du sac à poussières en papier filtre»).
	Blocage au niveau du bec d'aspiration ou du pivot d'admission.	Dégagez les blocages.
	La courroie est endommagée ou étirée.	Remplacez la courroie.
	Le balai est usé.	Remplacez le balai si les poils ne dépassent pas le bord de la plaque de base.
	Le tube du sac est bouché.	Dégagez le blocage.
	Les pores du sac sont bouchés par de la poussière fine.	Remplacez le sac.
	Le ventilateur d'aspiration est défectueux.	Retournez l'appareil au centre de réparation.
	Le balai rotatif n'est pas à égalité aux deux extrémités.	Vérifiez le joint des paliers. Assurez-vous que les mots «old» ou «new» correspondent à chaque extrémité.

TOUTES LES AUTRES RÉPARATIONS DOIVENT ÊTRE FAITES DANS UN CENTRE DE RÉPARATION AUTORISÉ.

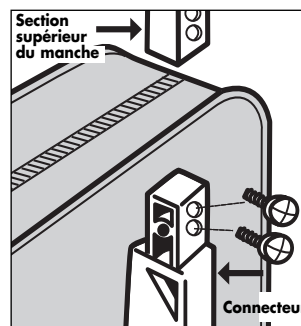
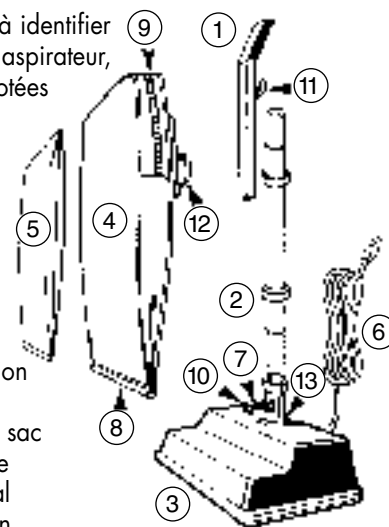
**APPELEZ LE SERVICE TÉLÉPHONIQUE GRATUIT
D'ASSISTANCE À LA CLIENTÈLE
US: 1-800-989-3535
CANADA: 1-888-676-7325**

Lorsque vous téléphonez, n'oubliez pas de noter le numéro de modèle et le numéro de série de l'appareil, lesquels figurent sur sa plaque signalétique.

Assemblage

Pour vous aider à identifier les composants de votre aspirateur, les pièces ont été numérotées comme suit:

- 1 Section supérieure du manche
- 2 Tube inférieur
- 3 Tête motorisée
- 4 Sac extérieur
- 5 Sac à poussières en papier filtre
- 6 Cordon d'alimentation
- 7 Ressort de retenue
- 8 Barre de tension du sac
- 9 Fermeture à glissière
- 10 Interrupteur principal
- 11 Crochet pour cordon d'alimentation
- 12 Connecteur
- 13 Boîtier du ventilateur



Avant d'assembler l'appareil, enlevez les (2) deux vis sur le connecteur (12). Faites glisser (1) la section supérieure du manche sur (12) la section correspondante du connecteur en alignant les trous de vis. Remarque: Les deux premiers tours de vis seront relativement difficiles, mais elles deviendront ensuite plus faciles à tourner.

Mode d'emploi

Utilisation

Assurez-vous que le sac à poussières en papier filtre est bien installé. **N'UTILISEZ PAS** l'aspirateur sans sac à poussières filtrant. Lorsque l'appareil est prêt à l'emploi, branchez le cordon d'alimentation dans une prise électrique et enfoncez la commande marche/arrêt (I/O) de l'interrupteur, sur la base de l'appareil.

Informations générales

Les performances de votre nouvel aspirateur dépendent considérablement de l'entretien et des soins que vous lui accordez. Les instructions fournies dans ce manuel vous aideront à exécuter les procédures d'entretien appropriées. Pour que votre appareil fonctionne de façon satisfaisante pendant de nombreuses années, lisez les instructions et gardez-les à portée de main pour référence future.

Recommandations de fonctionnement

Ce nouvel aspirateur vertical rapide ORECKXL est l'un des appareils les plus solides, rapides et sophistiqués de sa catégorie. Vous apprécierez sa façon de nettoyer et de passer sous les meubles. Vous constaterez également qu'il est très léger et facile à utiliser.

Voici quelques suggestions simples concernant son utilisation:

1. Lorsque vous insérez un nouveau sac à poussières jetable, commencez par le secouer, puis ouvrez-le.
2. Lorsque le sac à poussières jetable est plein, **REPLACEZ-LE**.
3. Si l'appareil vient à mal nettoyer ou à produire un bruit inhabituel, **DÉBRANCHEZ-LE** et faites les réparations nécessaires.
4. Même si votre aspirateur vertical ramasse les épingles à cheveux, les trombones à papier et d'autres petits objets, il est préférable de les ramasser à la main avant de passer l'aspirateur. Autrement, vous risquez d'endommager de façon permanente le mécanisme de succion et son boîtier.
5. **AVERTISSEMENT:** N'utilisez jamais l'aspirateur sur une surface mouillée ou humide. Cela pourrait endommager l'aspirateur et blesser l'utilisateur. Les dommages causés par une utilisation sur une surface mouillée ou humide ne sont pas couverts par la garantie.
6. **REPLACEZ LA COURROIE TOUS LES SIX MOIS.**
7. Remplacez le sac à poussières jetable au moins une fois par mois, même s'il n'est pas plein! Les poussières accumulées dans le sac peuvent dégager des odeurs, attirer la moisissure, favoriser le développement des bactéries et nuire au bon fonctionnement de l'appareil.
8. **Ne passez pas l'aspirateur sur son cordon d'alimentation. Le balai rotatif pourrait endommager le cordon d'alimentation.**

Sacs à poussière jetables en papier filtre

Les sacs à poussière jetables en papier filtre sont un élément très important de l'efficacité de votre aspirateur ORECK. Le sac à poussières doit attraper les saletés, mais il doit également être suffisamment poreux pour laisser passer l'air. Si le sac en papier se bouche, aucun air ne peut passer et le nettoyage ne peut se faire, quelle que soit la puissance de l'aspirateur. Vous pouvez augmenter la puissance de nettoyage de votre appareil en remplaçant souvent le sac.

Pour que votre aspirateur conserve une efficacité maximale, remplacez fréquemment le sac à poussière. **NE REMPLISSEZ PAS LE SAC AU-DELÀ DE LA LIGNE DE REMPLISSAGE.**

Assurez-vous que le sac à poussières jetable en papier filtre est correctement installé.

Les sacs à poussière en papier ne sont pas tous identiques. Vos sacs à poussière jetables ORECK ont été spécialement conçus pour les aspirateurs ORECK et l'utilisation de sacs jetables ne portant pas la marque ORECK risque d'affecter la puissance de nettoyage de votre appareil et même de l'endommager.

Courroie

La courroie de votre aspirateur contrôle la vitesse de votre balai rotatif et constitue un élément très important du fonctionnement efficace de l'appareil. Si la courroie s'étire ou se coupe, le balai rotatif ralentira ou s'arrêtera complètement. Pour le remplacement de la courroie, suivez les instructions du manuel.

Une courroie de rechange est rangée dans la plaque de base de votre aspirateur. Lorsque vous achetez une courroie de rechange, choisissez uniquement une courroie de marque ORECK. Les courroies ne portant pas la marque ORECK ne feront pas fonctionner correctement le balai tournant et peuvent créer une résistance capable d'endommager le moteur et les paliers du balai. L'utilisation d'une courroie ne portant pas la marque ORECK annule la garantie.

Lubrification

Les paliers du moteur de l'aspirateur ont été lubrifiés en usine et fermés hermétiquement. Aucune lubrification supplémentaire n'est nécessaire.

Entretien général de l'aspirateur

Au moins une fois par mois, vérifiez le balai rotatif et enlevez-y la charpie, les bouts de fil et les cheveux.

Essuyez l'extérieur de l'aspirateur avec un chiffon humide.

Nettoyez également le déflecteur du connecteur, la base de l'aspirateur et le boîtier du ventilateur. S'il y a de la poussière dans le sac extérieur, passez-y l'aspirateur ou secouez-le.

Un peu d'entretien préventif permettra à votre aspirateur de conserver une apparence neuve et une grande efficacité.

ATTENTION-Planchers, revêtements de sols souples (dalles PVC, carreaux à base de bitume) et sols cirés

Employez les méthodes de finition de sols et revêtements de sols préconisées par le fabricant. La bande métallique à la base de l'aspirateur peut être endommagée en frottant contre du ciment ou une surface abrasive et, par la suite, rayer des sols cirés ou en matières souples (dalles en PVC, carreaux à base de bitume). La brosse peut aussi marquer les finis délicats. Ne pas opérer avec l'appareil verrouillé et en position verticale. Ne pas laisser l'appareil tourner à la même place pendant longtemps. Il faut toujours le déplacer quand le moteur est en marche.

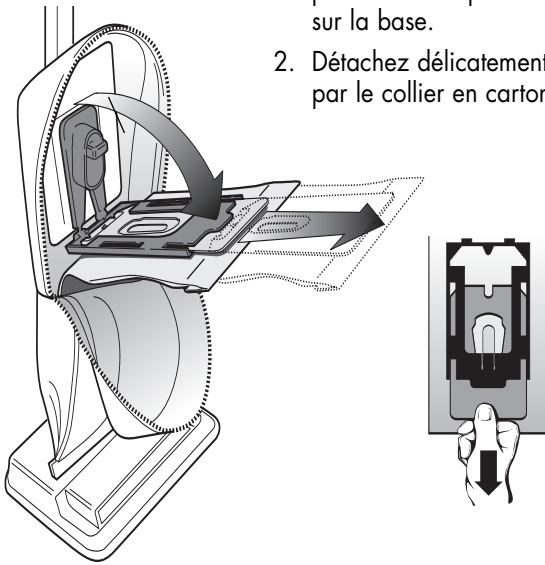
Remplacement du sac à poussières filtrant



AVERTISSEMENT : Avant d'exécuter cette opération, débranchez le cordon d'alimentation de la prise murale.

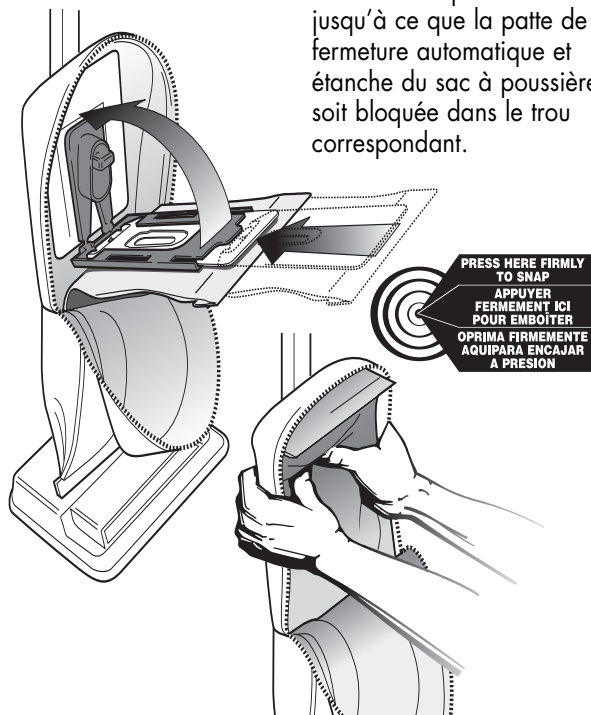
ENLÈVEMENT DU SAC :

1. Défaites la fermeture pression de la porte du sac, sur la base.
2. Détachez délicatement le sac par le collier en carton.



INSTALLATION D'UN SAC :

1. Faites glisser le collier en carton sur la porte du sac jusqu'à ce que la patte de fermeture automatique et étanche du sac à poussières soit bloquée dans le trou correspondant.



2. Placez les deux pouces aux endroits indiqués sur la porte du sac, puis poussez fermement jusqu'au dé clic.

Remplacement d'une courroie usée



AVERTISSEMENT : Avant d'exécuter cette opération, débranchez le cordon d'alimentation de la prise murale.



Enlevez la courroie de remplacement du compartiment de rangement.



Enlevez la vis de retenue sur le côté de la tête de nettoyage, puis faites sortir la porte.



Faites glisser la porte vers l'avant en la soulevant avec un tournevis ou une pièces de monnaie.



Enlevez la courroie sur la poulie du balai et sur l'arbre d'entraînement du moteur.



Faites passer la nouvelle courroie sur l'arbre d'entraînement du moteur. Placez l'autre extrémité de la courroie sur le dessus de la poulie du balai, puis passez la courroie autour de la poulie.



Avec votre pouce et un doigt, faites tourner la courroie sur la poulie, en vous assurant que la courroie fasse tout le tour de la poulie.



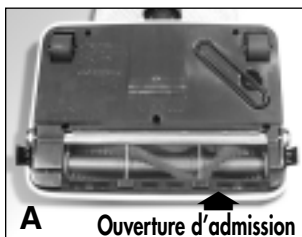
Remplacez la porte en la faisant glisser dans la rainure au fond du boîtier. Remplacez la vis de retenue.

Blocage ou bourrage

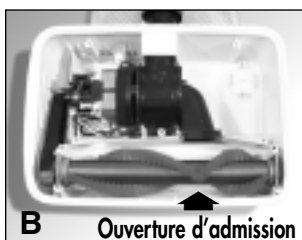
Sous certaines conditions, il est possible que le tube d'admission et le tube inférieur se bloquent ou se bourrent. Si votre appareil aspire mal, s'il produit un bruit inhabituel ou si le sac extérieur ne se gonfle pas, exécutez les opérations suivantes:



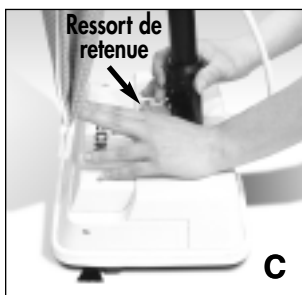
AVERTISSEMENT : Avant d'exécuter cette opération, débranchez le cordon d'alimentation de la prise murale.



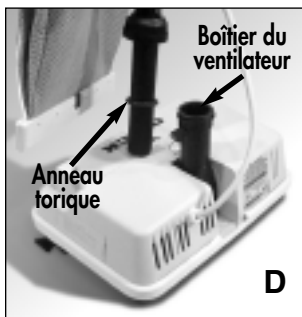
1. Vérifiez s'il y a un blocage à l'entrée de l'admission d'air (voir l'illustration A). S'il y a un blocage, enlevez-le avec des pinces à bec long, un tournevis ou un cintre. Si vous ne pouvez pas atteindre le blocage, enlevez la plaque de base (voir l'illustration B).



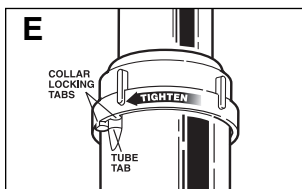
2. Si le blocage ne se situe pas à la base, enlevez le tube inférieur (voir l'illustration C). Déconnectez le ressort de maintien pour relâcher le bas du sac. Tournez le collier inférieur dans le sens contraire des aiguilles d'une montre pour le glisser vers le haut. Tirez le tube de la base. Si le bouchon est dans le tube, retirez-le avec un porte-manteaux.



3. Si le tube n'est pas bloqué, regardez dans le boîtier du ventilateur (voir l'illustration D). Enlevez les débris avec des pinces à bec long, un tournevis ou un cintre.



4. Avant de réassembler les composants, vérifiez l'anneau torique sur le tube et remplacez-le s'il est endommagé. L'aspirateur ne peut pas fonctionner sans l'anneau torique du tube. Faites glisser l'anneau torique jusqu'à environ 2 pouces (5cm) de la base du tube. Replacez le tube en alignant d'abord la fente sur la base du tube avec la patte intérieure dans le boîtier du ventilateur. Insérez ensuite le tube et poussez jusqu'au fond. Assurez-vous que l'anneau torique est correctement installé sur l'ouverture du ventilateur. Remettez en place et serrez le collier jusqu'à ce que les languettes de verrouillage de collier soient bloquées en place. Voir l'illustration E. Vérifiez que le collier n'est pas contrevenu sur le cadre.



5. Il arrive souvent que des blocages surviennent parce que le sac à poussières est plein et que les saletés refoulent dans le système de circulation d'air. Dans ces situations, le blocage se concentre dans la partie supérieure du système, particulièrement là où le sac à poussières est raccordé au connecteur (voir l'illustration F).



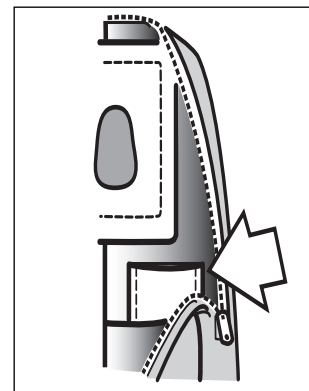
REMARQUE : Si les opérations ci-dessus ne corrigent pas le problème, contactez un centre de service autorisé ORECK ou appelez le centre de service à la clientèle.

US: 1-800-989-3535
CANADA: 1-888-676-7325

IMPORTANT : Sur les moquettes neuves ou de peluche, un blocage peut survenir à cause d'un surplus de peluche ou de fils non fixés sur la moquette. Un blocage pourrait survenir durant les premiers nettoyages, jusqu'à ce que tous les matériaux libres soient enlevés. Étant donné le niveau élevé d'efficacité de l'aspirateur, plusieurs anciennes moquettes peuvent causer des blocages les premières fois qu'elles sont nettoyées avec cet aspirateur.

Utilisation d'une tablette Fresh Air^{MC}

Votre aspirateur ORECK XL possède une poche spéciale pour y placer une tablette FRESH AIR. Cette poche de couleur claire est située à l'intérieur du sac en vinyle, là où le sac jetable en papier se fixe au tube d'admission. Insérez la tablette dans la poche.



Remplacement de l'ampoule électrique



AVERTISSEMENT : Avant d'exécuter cette opération, débranchez le cordon d'alimentation de la prise murale.

XL2250RS



- Enlevez les deux vis sur le dessus du boîtier de l'ampoule, puis le boîtier de l'ampoule.
- Retirez l'ampoule brûlée de son réceptacle et remplacez-la par une neuve.
- Remettez le boîtier de l'ampoule, puis les deux vis sur le dessus du boîtier.

Réglage ou remplacement du balai



AVERTISSEMENT : Avant d'exécuter cette opération, débranchez le cordon d'alimentation de la prise murale.



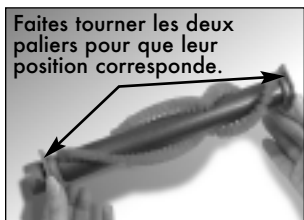
Pour savoir si le balai est usé, placez un rebord droit sur l'ouverture du bec. Si les poils du balai ne dépassent pas la plaque de base, le balai doit être réglé.



Enlevez les 5 vis de la plaque de base, puis la plaque de base. Enlevez ensuite la courroie et le balai rouleau dans le boîtier.



Faites tourner les deux paliers aux extrémités du balai rouleau jusqu'à l'indication «old» et remplacez-les dans les rainures de retenue du boîtier.



Faites tourner les deux paliers pour que leur position corresponde.

REMARQUE: Le réglage de roulement marqué OLD (Ancien) a deux barres (II) en haut de l'ensemble. Celui marqué NEW (nouveau) a une barre (I). Lors de la rotation des roulements, assurez-vous que les deux réglages de roulement soient les mêmes et qu'ils soient tournés vers le haut lors de la mise en place du rouleau brosse.



Réassemblez la courroie et la plaque de base, puis assurez-vous que les poils dépassent la plaque de base aux deux extrémités du balai.

IMPORTANT : Sauf si le balai est usé, conformément aux indications ci-dessus, les deux paliers doivent être dans la position «NEW». Lorsqu'ils tournent, les deux paliers doivent être dans la vieille position. Des réglages différents risquent d'endommager votre appareil.

Si le réglage ci-dessus est effectué et que les poils ne dépassent toujours pas la plaque de base, un nouveau balai doit être commandé.

ORECK® XI

SIMPLY AMAZING™

GUIA DEL USUARIO

E S P A Ñ O L



XL2250RS XL2200RS XL2300RS

ASPIRADORA VERTICAL DE ALTA VELOCIDAD CON EL SISTEMA DE LIMPIEZA

MicroSweep™

• IMPORTANT • ¡GUARDE ESTE FOLLETO!

Incluye:

Advertencias de seguridad
Garantía
Instrucciones de operación
Diagnóstico de problemas
Accesorios

**ANTES DE OPERAR LA
ASPIRADORA, LEA CON CUIDADO
TODAS LAS INSTRUCCIONES
INCLUIDAS EN ESTE MANUAL.**

Índice

Mantenimiento y servicio a clientes,
Accesorios, Instrucciones importantes
de seguridad, página 15

Garantía, Guía para la identificación
de problemas página 16

Ensamblaje, Para reemplazar la
bolsa para polvo de filtro página 17

Instrucciones de operación página 18

Cómo reemplazar una correa desgastada,
Para ajustar o reemplazar
el cepillo página 19

Relleno o bloqueo,
Uso de una tableta de Fresh Air™,
Reemplazo de la bombilla página 20

**Mantenimiento y servicio
a clientes**

Su aspiradora ORECK es un producto de diseño preciso. Los cojinetes del motor están lubricados permanentemente y no debe ponerles aceite. Si requiere información adicional o si tiene problemas con su aparato ORECK, puede llamar al servicio a clientes de ORECK al:

USA 1-800-989-3535
Canada 1-888-676-7325

Por favor especifique el número de modelo y el número de serie/código, el cual se puede encontrar en la placa de datos en la parte posterior de la aspiradora.

Guarde su recibo de ventas o de compra. En caso que su aparato ORECK necesitara servicio de garantía en los EE. UU., presente este recibo en el centro de servicio autorizado como su comprobante de fecha de compra, o en Canadá, llame a servicio a clientes.

**Accesorios
Vendido por separado**

USA: 1-800-989-3535 CANADA: 1-888-676-7325

ITEM	PART #
1. Paquete de 8 bolsas para polvo Saniseal™, ACDS, Hipoalergénica	CCPK8DW
Paquete de 8 bolsas para polvo, regulares	CCPK8
2. Correas, paquete de 3	0300604
3. Tabletas de aire fresco	AIRTABS
4. Bombilla de luz	00965-0019

**INSTRUCCIONES IMPORTANTES
DE SEGURIDAD**

Cuando utilice un aparato eléctrico, siempre debe seguir precauciones básicas, incluyendo las siguientes:

LEA TODAS LAS INSTRUCCIONES ANTES DE USAR ESTA ASPIRADORA



ADVERTENCIA

Para reducir el riesgo de incendio, descarga eléctrica o lesiones:

- No deje el aparato sin atender cuando esté conectado. Desconéctelo de la toma de corriente cuando no esté en uso y antes de darle servicio.
- No la use en exteriores ni en superficies mojadas.
- No operar la unidad mientras está en posición vertical y trabada.
- No permitir que la unidad funcione mientras esté en cualquier posición fija por cualquier período de tiempo. Mientras esté en funcionamiento, mantener la unidad en movimiento.
- No permita que se use como juguete. Es necesario poner mucha atención cuando la usen los niños o cuando se use cerca de ellos.
- Usela solamente como se describe en este manual. Utilice solamente los aditamentos recomendados por el fabricante.
- No la use con el cordón o clavija dañados. Si la aspiradora no funciona como debería, si se ha caído, dañado, dejado en exteriores, o dejado caer en agua, envíela a un centro de servicio o llame a servicio a clientes al:
US: 1-800-989-3535
CANADA: 1-888-676-7325
- No tire de ella ni la mueva por el cordón, ni use el cordón como asa, no cierre la puerta sobre el cordón, ni jale el cordón alrededor de bordes o esquinas afiladas. Mantenga el cordón lejos de las superficies calientes.
- No opere el aparato sobre el cordón.
- No lo desconecte jalando el cordón. Para desconectarlo, tome la clavija, no el cordón.
- No manipule la clavija ni el aparato con las manos mojadas.
- No ponga objetos pesados en las aberturas. No lo use con alguna abertura bloqueada; manténgalo libre de polvo, pelusa, cabello y cualquier cosa que pueda reducir el flujo de aire.
- Mantenga el cabello, ropa suelta, dedos y todas las partes del cuerpo lejos de las aberturas y partes móviles.
- No la use para que aspire cualquier cosa que se esté quemando o arrojando humo, como cigarrillos, cerillos o cenizas calientes.
- No la use sin el ensamblaje de la bolsa de filtro en su lugar.
- Apague todos los controles antes de desconectarla.
- Tenga cuidado especial cuando limpie alguna escalera.
- No la use para aspirar líquidos inflamables o combustibles, como gasolina o líquido para encendedores, ni la use en áreas donde puedan estar presentes.
- No use el aparato en espacios cerrados donde puedan emanarse vapores inflamables, explosivos o tóxicos por pintura a base de aceite, adelgazador de pintura, algunas sustancias a prueba de moho, o en un área donde haya presente polvo inflamable.
- No aspire con este aparato material tóxico como blanqueador con cloro, limpiador de drenajes, gasolina, etc.

**GUARDE ESTAS INSTRUCCIONES
Sólo para uso casero**

Aviso de la clavija polarizada

Este producto viene equipado con una clavija polarizada para línea de corriente alterna (una clavija que tiene una espiga más ancha que la otra). Esta clavija solamente se ajusta de una sola manera en la toma de corriente. Esta es una característica de seguridad. Si no puede insertar la clavija completamente en la toma de corriente, intente invirtiendo la clavija. Si todavía no puede insertarla, llame a un electricista para que reemplace la toma de corriente obsoleta. No le quite el propósito a la clavija polarizada.

Garantía

ORECK MANUFACTURING COMPANY: (ORECK le ofrece la siguiente garantía limitada para este producto solamente si se compró originalmente para usarse, no para revenderse, de ORECK o de un distribuidor minorista autorizado por ORECK.)

ORECK reparará o reemplazará, sin cargo, al comprador original, cualquier parte que se encuentre como defectuosa en material o mano de obra durante tres (3) años a partir de la fecha de compra y 10 años en el bastidor. Esta garantía limitada se aplica al uso doméstico normal. Cualquier uso comercial de este producto anulará esta garantía limitada.

Las correas de impulsión, cepillos revolventes, bombillas, bolsas desechables y otras piezas sujetas al desgaste normal no se cubren con esta garantía limitada.

Esta garantía limitada no aplica para cualquier parte sujeta a accidente, abuso, al uso comercial del abuso, alteración, uso indebido, daños provocados por incendio o causas de fuerza mayor, uso de voltajes diferentes a los indicados en la placa del número de serie de este producto, o el servicio de este producto por alguien que no forme parte de ORECK o de un centro de servicio autorizado de fábrica de ORECK.

La garantía limitada de ORECK no autoriza a cualquier persona o representante a asumir u otorgar cualquier otra obligación de garantía con la venta de este producto.

La garantía limitada de ORECK es válida solamente si mantiene su comprobante de compra para este producto de ORECK o de un distribuidor minorista autorizado por ORECK. Si compra este producto de cualquier otra fuente, su compra es "TAL CUAL", lo que significa que ORECK no le otorga garantía alguna, y que usted, no ORECK asume el riesgo total de la calidad y el desempeño de este producto, incluyendo el costo total de cualquier servicio o reparaciones necesarias de cualquier defecto.

La responsabilidad por daños de ORECK para usted por cualquier costo que surja por esta declaración de garantía limitada se limitará al monto pagado por este producto al momento de la compra original, y ORECK no será responsable de cualquier daño directo, indirecto, consecuencial o incidental que surja por el uso o incapacidad de uso de este producto.

Algunos estados no permiten la exclusión o la limitación de daños incidentales o consecuentes, así que la limitación o exclusión anterior puede no aplicar para usted.

TODAS LAS GARANTIAS EXPRESAS E IMPLICITAS PARA ESTE PRODUCTO, INCLUYENDO LAS GARANTIAS IMPLICITAS DE CAPACIDAD DE COMERCIALIZACION Y APTITUD PARA UN PROPOSITO EN PARTICULAR, ESTAN LIMITADAS EN DURACION AL PERIODO DE LA GARANTIA, Y NO APLICARA NINGUNA GARANTIA, EXPRESA O IMPLICITA, DESPUES DE ESTE PERIODO.

Algunos estados no permiten las limitaciones en la duración de las garantías implícitas, así que la limitación anterior puede no aplicar para usted.

Esta garantía le concede derechos legales específicos, y puede también tener otros derechos que varían de estado a estado.

Guía para identificación de problemas



ADVERTENCIA: Desconecte el cordón de la toma eléctrica antes de dar servicio.

AHORRESE LAS LLAMADAS DE SERVICIO... REVISE PRIMERO LO SIGUIENTE:

- ¿Está llena la bolsa para polvo de filtro desechable?
- ¿Hay poros de la bolsa para polvo de filtro tapados con polvo fino?
- ¿Hay algo que tape el cepillo revolvente, el tubo inferior, la abertura de admisión, el bastidor del ventilador, o la abertura de ensamblaje de la conexión?
- ¿Los extremos del cepillo están en la ubicación adecuada?
- ¿El cepillo gira libremente? ¿Hay cabellos, hilos o fibras de tapete alrededor del cepillo?

PROBLEMA	POSIBLE CAUSA	AREAS A VERIFICAR
LA ASPIRADORA NO FUNCIONA	No está bien conectada.	Asegúrese que la aspiradora esté firmemente conectada en la toma de corriente de la pared.
	No hay electricidad en la toma de corriente en la pared.	Revise el fusible de la fuente de electricidad o el interruptor automático del circuito.
	La clavija no está firme en el ensamblaje del mango.	Conecte firmemente en el ensamblaje del mango.
EL APARATO NO ASPIRA	La bolsa del filtro está llena.	Reemplace la bolsa del filtro. Vea la sección "Cómo instalar la bolsa para polvo de filtro de papel."
	La boquilla o el pivote de admisión está tapado.	Limpie las obstrucciones.
	La correa está rota o estirada.	Reemplace la correa.
	El cepillo está desgastado.	Reemplace el cepillo si las cerdas no se extienden más allá de la placa base.
	El tubo de la bolsa está tapado.	Limpie la obstrucción.
	Los poros de la bolsa están tapados con polvo fino.	Cambie la bolsa.
	El impulsor del ventilador está roto.	Envíe al Centro de Servicio para su reparación.
El cepillo revolvente no está uniforme en ambos extremos.	Verifique el sello del cojinete. Asegúrese que las palabras "old" o "new" correspondan en cada extremo.	

TOUTES LES AUTRES RÉPARATIONS DOIVENT ÊTRE FAITES DANS UN CENTRE DE RÉPARATION AUTORISÉ.

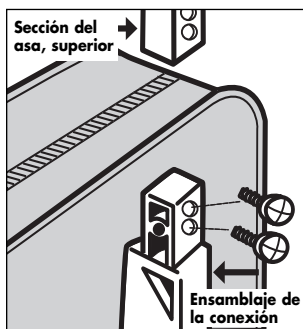
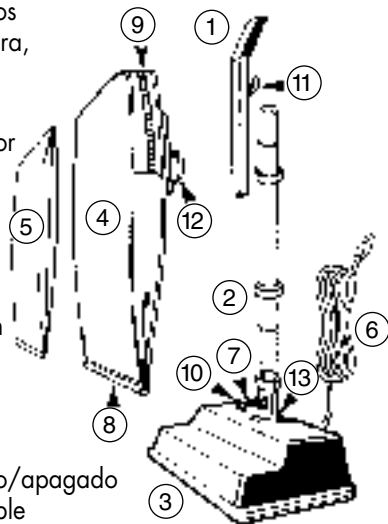
APPELZ LE SERVICE TÉLÉPHONIQUE GRATUIT D'ASSISTANCE À LA CLIENTÈLE
US: 1-800-989-3535
CANADA: 1-888-676-7325

Lorsque vous téléphonez, n'oubliez pas de noter le numéro de modèle et le numéro de série de l'appareil, lesquels figurent sur sa plaque signalétique.

Ensamblaje

Para ayudarle a identificar los componentes de su aspiradora, las piezas se han numerado como sigue:

- 1 Sección del asa, superior
- 2 Tubo inferior
- 3 Cabeza motriz
- 4 Bolsa exterior
- 5 Bolsa para polvo con filtro de papel
- 6 Cordón de alimentación
- 7 Resorte retenedor
- 8 Barra para tensión de la bolsa
- 9 Sujetador de cremallera
- 10 Interruptor de encendido/apagado
- 11 Abrazadera para el cable
- 12 Ensamblaje de la conexión
- 13 Bastidor del ventilador



Antes de montar el aparato. Retire (2) dos tornillos del ensamblaje de la conexión (12). Deslice (1) la sección superior del asa sobre la sección correspondiente del en (12) samblaje de la conexión, alineando los agujeros de los tornillos. Nota: Las primeras dos vueltas de los tornillos deben estar apretadas. Después de las primeras dos vueltas, los tornillos girarán más fácilmente.

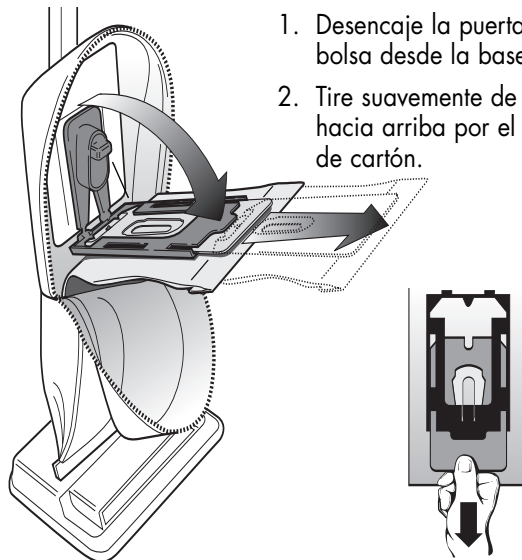
Para reemplazar la bolsa para polvo de filtro



ADVERTENCIA: Desconecte el cordón de la toma eléctrica antes de dar servicio.

RETIRO DE LA BOLSA:

1. Desencaje la puerta de la bolsa desde la base.
2. Tire suavemente de la bolsa hacia arriba por el collarín de cartón.



INSTALACION DE LA BOLSA:

1. Deslice el collarín de cartón en la puerta de carga de la bolsa hasta que el agujero de lengüeta del sello para polvo de cierre automático esté inmobilizado en su posición.



2. Empuje firmemente con ambos pulgares la puerta de carga de la bolsa sobre el punto indicado hasta que encaje.

Instrucciones de operación

Cómo operarla

Asegúrese que la bolsa para polvo de filtro de papel esté en su lugar. NO opere la aspiradora sin una bolsa para polvo de filtro de papel. Conecte el cordón de alimentación en una toma eléctrica y cuando esté listo para operar oprima el interruptor de encendido (I) - apagado (O) en la parte superior de la base.

Información general

El desempeño de su nueva aspiradora depende en gran parte del cuidado y el mantenimiento. Las instrucciones de este manual le guiarán para realizar el cuidado y mantenimiento básico. Para obtener muchos años de servicio satisfactorio, lea las instrucciones y manténgalas a la mano para futura referencia.

Recomendaciones de operación

Esta nueva aspiradora vertical ORECK XL de alta velocidad es una de las mejores, más rápidas y fuertes unidades en su clase. Le encantará la manera como limpia, cómo cabe por debajo de las cosas, y que es TAN ligera y fácil de usar.

Las siguientes son sólo algunas sugerencias sencillas relacionadas con su operación:

1. Cuando inserte una nueva bolsa desechable para polvo con filtro de papel, PRIMERO INFLELA y ABRA LA BOLSA.
2. Cuando la bolsa para polvo con filtro desechable esté llena, CAMBIELA.
3. Si en cualquier momento la máquina no absorbe adecuadamente o hace un ruido inusual, DEJE DE OPERARLA y déle servicio.
4. Aunque su aspiradora vertical absorbe alfileres, sujetadores de papel y otros objetos pequeños, se recomienda que los retire del suelo antes de aspirar. En caso de no hacerlo el ventilador de succión del motor y el bastidor pueden quedar con daños permanentes.
5. **ADVERTENCIA:** No use su aspiradora en superficies húmedas o mojadas. Esto provocará daños en la aspiradora y es peligroso para el usuario. Los daños provocados por el uso en superficies húmedas o mojadas no están cubiertos por la garantía.
6. REEMPLACE LA CORREA CADA 6 MESES.
7. Cambie la bolsa para polvo con filtro desechable por lo menos una vez al mes, aunque no esté llena. El polvo recolectado en la bolsa de polvo puede provocar olores, atraer la humedad, actuar como área de multiplicación, y puede afectar la eficiencia de la aspiradora.
8. **NO opere la aspiradora por encima del cordón. El cepillo revolvente puede dañar el cordón.**

Bolsas para polvo con filtro de papel desechables.

Las bolsas para polvo con filtro de papel desechables tienen una función muy importante en la eficiencia de su aspiradora ORECK. El objetivo de la bolsa de papel es atrapar la mugre, pero al mismo tiempo debe ser lo suficiente porosa para que el aire pase a través de ella. Si se tapa la bolsa de papel, no puede pasar el aire a través de la aspiradora y no se puede aspirar, independientemente de la potencia de la aspiradora. Aumente la POTENCIA DE LIMPIEZA de su aspiradora cambiando con frecuencia la bolsa.

Para mantener su aspiradora operando con la máxima eficiencia, cambie la bolsa de polvo con frecuencia. NO LLENE LA BOLSA SOBRE LA LÍNEA INDICADA EN LA BOLSA PARA POLVO.

Asegúrese que la bolsa para polvo de filtro de papel esté en la posición adecuada.

No todas las bolsas para polvo de papel son iguales. Sus bolsas para polvo desechables de ORECK han sido diseñadas para utilizarse con la aspiradora ORECK y si usa otras bolsas que no sean las bolsas desechables genuinas de ORECK se afectará la capacidad de limpieza de su aspiradora y podría dañarse.

La correa

La correa de su aspiradora controla la velocidad del cepillo revolvente y es muy importante para la operación eficaz de la aspiradora. Si la correa se corta o se estira, provocará que el cepillo revolvente se detenga completamente o que se haga más lento. Vea las instrucciones en el manual para la correa revolvente.

En la placa base de su aspiradora se almacena una correa extra. Cuando compre las correas de repuesto, use SOLAMENTE correas genuinas de ORECK. Otras correas que no sean de ORECK no operarán el cepillo revolvente de manera correcta y pueden provocar tensión indebida, la cual provocará daños al motor y a los cojinetes del cepillo. Si utiliza otras correas que no sean de ORECK se anulará la garantía.

Lubricación

Los cojinetes del motor de la aspiradora se lubrican y sellan en la fábrica. No se requiere lubricación adicional.

Cuidados generales de la aspiradora

Por lo menos una vez al mes, revise y retire el exceso de pelusa, hilos o cabello del cepillo revolvente.

Limpie el exterior de la aspiradora con una tela húmeda. También limpie el área de ensamblaje del deflector de la conexión, la base de la aspiradora y el área del bastidor del ventilador. Si hubiera polvo en la bolsa exterior, aspirelo o sacúdalo. Un poco de mantenimiento preventivo mantendrá su aspiradora como nueva y asegurará la eficacia continua de limpieza.

PRECAUCION-Pisos de madera, superficies suaves de madera (vinilo, baldosas de asfalto, etc.) y pisos encerados

Utilizar los métodos de limpieza para pisos y terminaciones de pisos recomendados por el fabricante. La tira de metal en la base del limpiador puede dañarse si se utiliza en concreto o en superficies abrasivas, y por lo tanto, puede causar daño a los pisos de madera, superficies suaves de madera (vinilo, baldosas de asfalto, etc.) y pisos encerados. El cepillo del rodillo también puede manchar las terminaciones muy suaves. No operar la unidad mientras que se encuentre en posición vertical o trancada. No permitir que la unidad funcione mientras que esté en cualquier posición estacionaria por cualquier plazo de tiempo. Mantener la unidad en movimiento mientras que esté funcionando.

Cómo reemplazar una correa desgastada

! **ADVERTENCIA:** Desconecte el cordón de la toma eléctrica antes de dar servicio.



Retire la correa de reemplazo del canal de almacenamiento.



Retire la puerta retirando el tornillo de sujeción localizado por un lado de la cabeza motriz.



Deslice la puerta hacia adelante haciendo palanca con un de stornillador o una moneda.



Retire la correa de la polea del rodillo del cepillo y el eje de impulsión del motor.



Engarce la nueva correa sobre el eje de impulsión del motor. Coloque el extremo opuesto de la correa sobre la parte superior de la polea del cepillo y enrolle la correa alrededor de la polea.



Con su pulgar e índice, gire la correa sobre la polea, asegurándose que la correa rodee toda la circunferencia de la polea.



Regrese a su lugar la puerta deslizándola sobre la ranura en la parte interior del bastidor. Regrese a su lugar el tornillo de sujeción.

Para ajustar o reemplazar el cepillo

! **ADVERTENCIA:** Desconecte el cordón de la toma eléctrica antes de dar servicio.



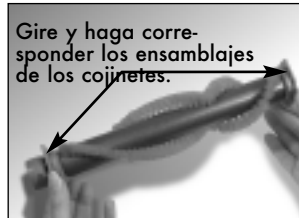
Para determinar si el cepillo está desgastado, coloque un borde recto firme a través de la abertura de la boquilla. Si las cerdas del cepillo no se extienden más allá de la placa base, debe de ajustar el cepillo.



Quite la placa base retirando 5 tornillos. Luego quite la correa y el rodillo del cepillo del bastidor.



Gire ambos ensamblajes de cojinetes en los extremos del rodillo del cepillo hasta que aparezca "OLD" y reemplácelo en los canales de ensamblaje del bastidor.



Gire y haga corresponder los ensamblajes de los cojinetes.

NOTA: El ajuste del conjunto de cojinetes, marcado "OLD" tiene dos barras (II) en la parte superior del conjunto. El marcado "NEW" tiene una barra (I). Cuando se den vuelta los cojinetes, asegurarse que los dos ajustes del conjunto de cojinetes sean iguales y estén hacia arriba al reponer el rodillo de cepillo.



IMPORTANTE: A menos que el cepillo esté desgastado como se indicó anteriormente, ambos cojinetes deberán estar en la nueva posición. Cuando giren, ambos cojinetes deberán estar en la posición "OLD". Los ajustes no correspondientes provocarán daños a la máquina.

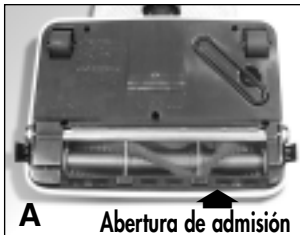
Monte nuevamente la correa y la placa base y verifique la altura de las cerdas por arriba de la placa base en cada extremo del cepillo.

Si ya se ha hecho el ajuste previo y la altura de las cerdas no se extiende más allá de la placa base, deberá ordenar un nuevo ensamblaje de cepillo.

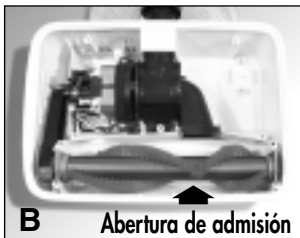
Relleno o bloqueo

Bajo ciertas condiciones, es posible que se rellene o se bloquee el ensamblaje del tubo de admisión y del tubo inferior. Si su aspiradora no aspira adecuadamente, o si hace ruidos inusuales y la bolsa exterior no se esponja o infla, siga los siguientes pasos:

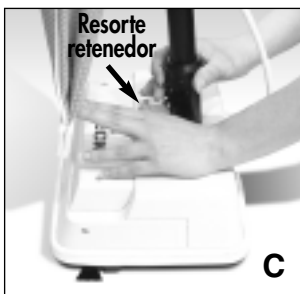
! ADVERTENCIA: Desconecte el cordón de la toma eléctrica antes de dar servicio.



1. Revise que la boca de la abertura de entrada no esté bloqueada. Vea la ilustración A. Si hubiera un bloqueo, retírelo con unos alicates largos, un destornillador o una percha para ropa. Si no puede alcanzar el bloqueo, quite la placa base. Vea la ilustración B.



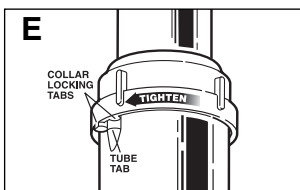
2. Si el bloqueo no está en la base, retire el tubo inferior. Vea la ilustración C. Desenganche el resorte retenedor, liberando la parte inferior de la bolsa. Gire el collarín en sentido contrario de las agujas del reloj para deslizarlo hacia arriba. Jale el tubo fuera de su base. Verifique el bloqueo. Si está en el tubo, retírelo con una percha para ropa.



3. Si el tubo no está bloqueado, vea el bastidor del ventilador. Vea la ilustración D. Retire los residuos con unos alicates largos, un destornillador o una percha para ropa.



4. Para armar nuevamente, verifique el anillo tórico en el tubo, y reemplácelo si está dañado. La aspiradora no operará adecuadamente sin el anillo tórico del tubo. Deslice el anillo tórico aproximadamente 2" de la base del tubo. Coloque otra vez el tubo alineando primero la ranura en la base del tubo con la lengüeta interior dentro del bastidor del ventilador. Luego inserte nuevamente el tubo y empuje hacia abajo hasta que el tubo esté asentado.



Asegúrese que el anillo tórico esté en su lugar en la abertura del bastidor del ventilador. Reponer y apretar el collar hasta que las orejetas de fijación estén trabadas en su lugar. Ver la ilustración E. Asegurarse que el collar no estropee las roscas en la caja.

5. Muchas veces ocurre un bloqueo debido a que la bolsa para polvo está llena, lo que provoca que el polvo baje al sistema de flujo de aire. Cuando eso sucede, el bloqueo estará en la parte superior del sistema, comenzando en el área donde la bolsa para polvo se conecta al ensamblaje de la conexión. Vea la ilustración F.



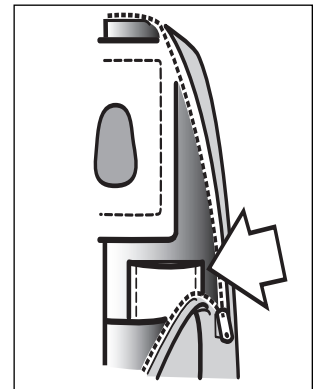
NOTA: Si las medidas anteriores no corrigen el problema, llame a un centro de servicio autorizado ORECK o llame al centro de servicio a clientes.

US: 1-800-989-3535
CANADA: 1-888-676-7325

IMPORTANTE: En alfombras nuevas y afelpadas, puede ocurrir un bloqueo por el exceso de pelusa y de cortes sueltos en la alfombra. El bloqueo puede ocurrir en las primeras limpiezas, hasta que se retire todo el material suelto. Debido a la alta eficiencia de la aspiradora, muchas alfombras más viejas provocarán bloqueos cuando se use en ellas la aspiradora por primera vez.

Uso de una tableta Fresh Air™

Su aspiradora ORECK XL tiene un bolsillo para una tableta FRESH AIR. Este bolsillo de color claro se localiza dentro de la bolsa de vinilo, en el área donde la bolsa desechable de papel se fija al tubo de entrada. Inserte la tableta en el bolsillo.



Reemplazo de la bombilla

! ADVERTENCIA: Desconecte el cordón de la toma eléctrica antes de dar servicio.

XL2250RS



- Retire el bastidor de la lámpara, retirando dos tornillos en la parte superior del bastidor de la lámpara.
- Jale la bombilla quemada de su soporte, y reemplácela con la nueva bombilla.
- Regrese a su lugar el bastidor de la lámpara, colocando nuevamente los dos tornillos en la parte superior del bastidor de la lámpara.