



# Dirt Devil® Upright

## Carpet + Hard Floor Cyclonic Upright

My Model is: \_\_\_\_\_



# 1·2·3...

## USER MANUAL

#961151970 / ID115147 / R1 5/17

©2015 All rights reserved

Français - page 21

Español - página 41



### REPLACEMENT PARTS

- BELT STYLE 5
- PRE-MOTOR FILTER F112
- EXHAUST FILTER F111



# LET'S GO.™

# HI. WELCOME.

Congrats on purchasing your new Dirt Devil® Upright Carpet + Hard Floor Cyclonic Upright Vacuum. Inside, you'll find everything you want to know from the tools to how to.

So what are you waiting for? LET'S GO.™



## PRODUCT REGISTRATION

### Warranty Registration

Be sure to register your product online at [www.DirtDevil.com](http://www.DirtDevil.com) or call 1-800-321-1134 to register by phone.

Hint: Attach your sales receipt to this Owner's manual. Verification of date of purchase may be required for warranty service of your Dirt Devil® product.

For quick reference, please record your product information below.

Model #: \_\_\_\_\_

Mfg. Code: \_\_\_\_\_

(Mfg. code located on the back or bottom of product)

### Find GENUINE Replacement Parts at [www.dirtdevil.com](http://www.dirtdevil.com)



This product uses the following parts:

BELT STYLE \_\_\_\_\_ 5

PRE-MOTOR FILTER \_\_\_\_\_ F112

EXHAUST FILTER \_\_\_\_\_ F111

---

# TABLE OF CONTENTS



## 1·2·3...

Quick Start Assembly ..... 6



Tools ..... 8

How to ..... 12



Troubleshooting ..... 18



Limited Warranty ..... 19

# **WARNING**

**IMPORTANT: READ CAREFULLY BEFORE ASSEMBLY AND USE. THIS PRODUCT IS INTENDED FOR HOUSEHOLD USE ONLY. IF USED COMMERCIALY WARRANTY IS VOID.**

## **IMPORTANT SAFETY INSTRUCTIONS**

When using an electrical appliance, basic precautions should always be followed, including the following:

**READ ALL INSTRUCTIONS BEFORE USING THIS APPLIANCE.**

### **WARNING: TO REDUCE THE RISK OF FIRE, ELECTRIC SHOCK OR INJURY:**

- Fully assemble before operating.
- Operate cleaner only at voltage specified on data plate on bottom of cleaner.
- Do not leave appliance when plugged in. Unplug from outlet when not in use and before cleaning or servicing.
- Do not use outdoors or on wet surfaces.
- Do not allow to be used as a toy. Not intended for use by children age 12 and under. Close attention is necessary when used by or near children. To avoid injury or damage, keep children away from product, and do not allow children to place fingers or other objects into any openings.
- Use only as described in this manual. Use only manufacturer's recommended attachments.
- Do not use with damaged cord or plug. If appliance is not working as it should, has been dropped, damaged, left outdoors, or dropped into water, return it to a service center for inspection prior to continuing use.
- Do not pull or carry by cord, use cord as handle, close a door on cord, or pull cord around sharp edges or corners. Do not place product on cord. Do not run appliance over cord. Keep cord away from heated surfaces.
- Do not unplug by pulling on cord. To unplug, grasp the plug, not the cord.
- Do not handle plug or appliance with wet hands.
- Do not put any objects into openings. Do not use with any opening blocked; keep free of dust, lint, hair, and anything that may reduce air flow.
- Keep hair, loose clothing, fingers, and all parts of body away from openings and moving parts. Brushroll continues to rotate when in upright position.
- Turn off all controls before unplugging.
- Use extra care when cleaning on stairs. To avoid personal injury or damage, and to prevent the cleaner from falling, always place cleaner at bottom of stairs or on floor.  
Do not place cleaner on stairs or furniture, as it may result in injury or damage.
- Do not use to pick up flammable or combustible liquids, such as gasoline, or use in areas where they may be present.
- Unplug before connecting Turbo Tool.
- Do not pick up anything that is burning or smoking, such as cigarettes, matches, or hot ashes.
- Do not use without filters and/or dirt cup in place.
- **WARNING:** This product contains chemicals known to the State of California to cause cancer, birth defects or reproductive harm. **WASH HANDS AFTER USING.**



## **CAUTION: TO REDUCE THE RISK OF DAMAGE:**

- Avoid picking up hard, sharp objects with this product, as they may cause damage.
- Store appropriately indoors in a dry place. Do not expose machine to freezing temperatures.
- Do not use sharp objects to clean out hose as they can cause damage.
- With brushroll on, do not allow cleaner to sit in one location for an extended period of time, as damage to floor can result.
- Brushroll continues to turn while product is turned on and the handle is in the upright position. To avoid damage to carpet, rugs, and flooring, avoid tipping cleaner or setting it on furniture, fringed area rugs or carpeted stairs during tool use.

### **SAVE THESE INSTRUCTIONS**



## **WARNING:**

To reduce the risk of electric shock, this appliance has a polarized plug (one blade is wider than the other). This plug will fit in a polarized outlet only one way. If the plug does not fit fully in the outlet, reverse the plug. If it still does not fit, contact a qualified electrician to install the proper outlet. Do not change the plug in any way.



## **NOTICE**

**A THERMAL PROTECTOR HAS BEEN DESIGNED INTO YOUR CLEANER TO PROTECT IT FROM OVERHEATING. WHEN THE THERMAL PROTECTOR ACTIVATES THE CLEANER WILL STOP RUNNING.**

**If this happens proceed as follows:**

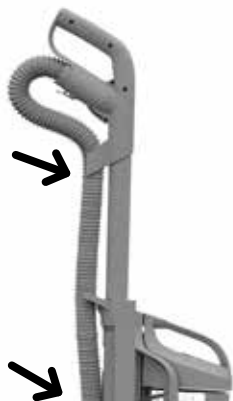
1. Turn cleaner OFF and unplug it from the electrical outlet.
2. Empty dirt cup.
3. Inspect the nozzle inlet, hose connector, hose, dirt cup inlet, cyclonic filter, rinsable filter, and HEPA filter. Clear obstructions if present.
4. When cleaner is unplugged and motor cools for 30 minutes, the thermal protector will deactivate and cleaning may continue.

**If the thermal protector continues to activate after following the above steps, your cleaner needs servicing.**

# QUICK START

---

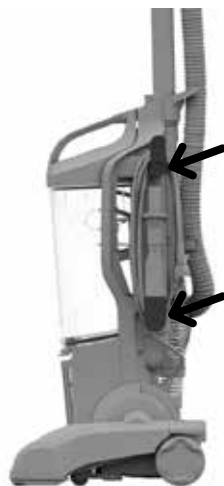
1



---

**INSERT CLEANING  
WAND INTO TOP OF VAC.  
SECURE YOUR HOSE  
HERE AND HERE.**

2



---

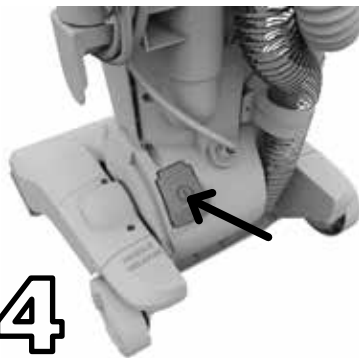
**NOW, WRAP THE CORD  
AROUND CORD HOOKS!**

3



**PUSH HERE AND PULL  
HANDLE BACKWARDS  
TO RECLINE.**

4



**PLUG IN THE CORD AND  
PRESS HERE TO POWER UP.**

**YOUR FEATHERLITE®  
IS READY  
TO CLEAN!  
LET'S GO.™**



#### **NEED HELP?**

Go to [dirtdevil.com/support](http://dirtdevil.com/support) or  
contact our Customer Service  
Department at **(800) 321-1134**  
8:00 a.m. - 7:00 p.m. EST Mon. - Fri.  
Pick up the conversation on...

 [Facebook.com/DirtDevil](https://www.facebook.com/DirtDevil)

 [Twitter@DirtDevil](https://twitter.com/DirtDevil)

# TOOL

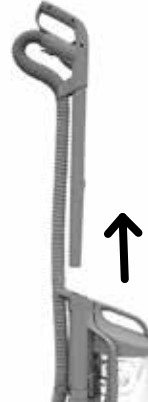
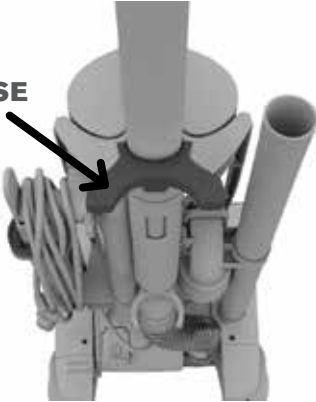
---

## ON-DEMAND CLEANING WAND\*

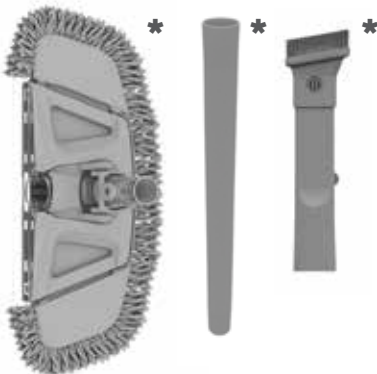
1. Press the wand release button.

2. Pull wand up & out.

WAND  
RELEASE



3. Push the tools on the wand\*  
for convenient cleaning.  
When you're done, twist &  
pull to take them off.

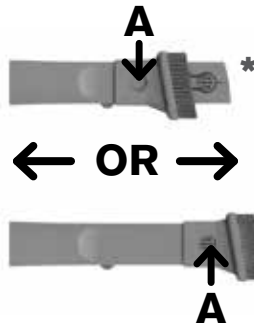


\*Accessories not included on all models.



# TOOL

## COMPLETE ON-BOARD TOOLKIT



**2-IN-1 COMBO TOOL:** Use the Crevice Tool for tight spaces, corners and along stair edges and baseboards. Try the Dusting Brush for furniture, table tops, lamps, blinds and more. Press the lock button (A) down and slide to switch between modes.



**VAC+DUST FLOOR TOOL WITH SWIPES™:** Vacuum and dust most hard floor surfaces.

### ⚠ CAUTION

Not to be used for grooming a pet.

### ⚠ WARNING

Unplug vacuum before connecting hose, wand or tools.



**EXTENSION WAND:** Attach to cleaning wand for longer reach on above and hard floor cleaning.



**TURBO TOOL®:** For upholstered furniture, draperies, mattresses and stairs.

\*Accessories not included on all models.

# TOOLS

---

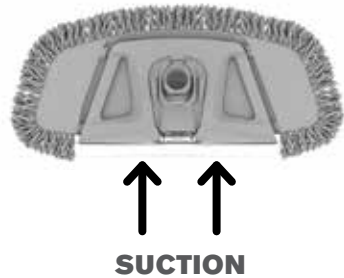
## HARD FLOOR CLEANING WITH SWIPES™\*

Vac+Dust Floor Tool with SWIPES™ Washable Microfiber Dusting Pad picks up dirt, dust, debris & pet hair. Your Featherlite® will get the rest.

1. Slide one side in pocket and then the other.



2. The vacuum picks up dirt and debris from your hard floors while the Microfiber SWIPES™ pad picks up the rest.



\*Accessories not included on all models.

## ABOVE FLOOR CLEANING

1. Remove On-Demand Cleaning Wand for convenient above floor cleaning.
2. Attach extension wand and 2-in-1 tool for improved cleaning.



### CAUTION

Use extra care when cleaning on stairs. To avoid personal injury or damage, and to prevent the cleaner from falling, always place cleaner at bottom of stairs or on floor. Do not place cleaner on stairs or furniture, as it may result in injury or damage. When using tools, always ensure handle is in upright position.

\*Accessories not included on all models.

# HOW TO

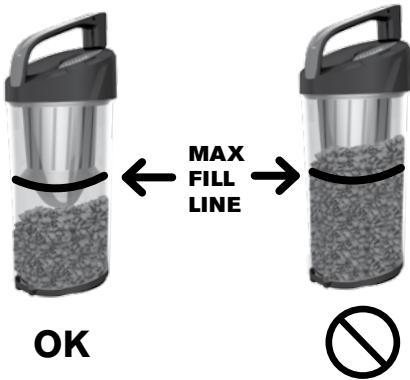


## WARNING

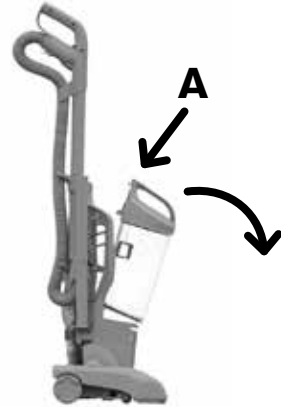
To reduce the risk of personal injury - Unplug before cleaning or servicing. Do not use vacuum without dirt cup or filters in place.

## EMPTY THE DIRT CUP

1. Dump the dirt when it's full.

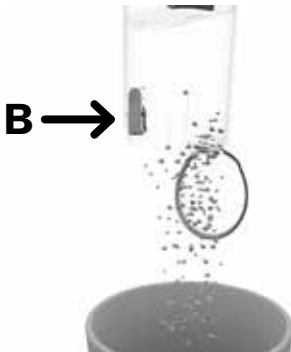


2. Push the release button (A) then pull out the dirt cup.

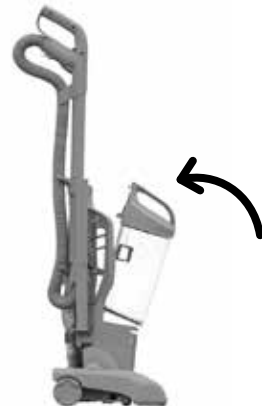


This would be a good point to check the condition of your filter. Dirty? Check out page 13 for cleaning steps.

3. Now ditch the dirt by pushing the lower button (B). Give it a wipe to remove dust.



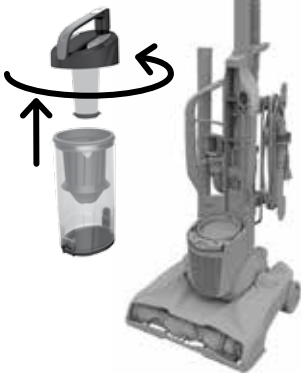
4. Place back in bottom first. Push the top of the cup against the back panel and it'll click into place.



# HOW TO

## CLEAN THE RINSABLE FILTER

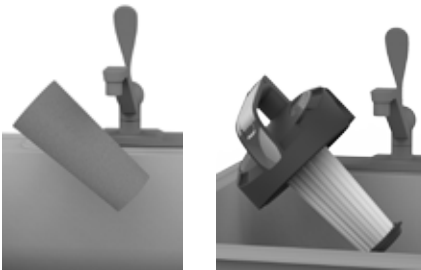
1. Remove the dirt cup. Twist the handle to remove the top from the dirt cup. Gently remove the filter from the the handle.



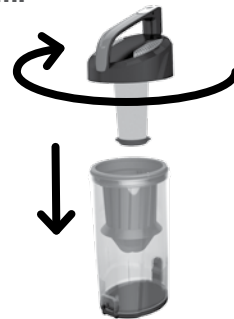
2. Tap clean into a trashcan.



3. All pieces are rinsable. Allow to dry 24 hours before using.



4. TWIST the filter back into the handle, place the handle back on the dirt cup and twist to close. Replace the dirt cup into the vacuum.



# HOW TO

## **WARNING**

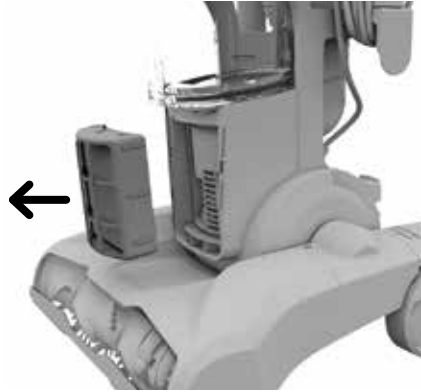
To reduce the risk of personal injury - Unplug before cleaning or servicing. Do not use vacuum without dirt cup or filters in place.

## **CLEAN THE EXHAUST FILTER**

1. Push the tab on the front of the cover to pivot out.



2. Pull out the filter, rinse dirt from both sides, and let air dry for 24 hours before reinstalling or until dry.



3. Put the dry filter back. Now line up the filter cover with the bottom tabs first and then snap back into place.



For replacement filter F111 visit [dirtdevil.com](http://dirtdevil.com) or call us at (800) 321-1134.

# HOW TO

## **WARNING**

To reduce the risk of personal injury - Unplug before cleaning or servicing. Do not use vacuum without dirt cup or filters in place.

## **CLEAN THE CYCLONIC ASSEMBLY**

1. Twist counter-clockwise to open the dirt cup. Pull cyclonic assembly out of dirt cup.



2. Use the Dusting Tool to clean the cyclonic assembly.\*



\*Accessories not included with all models.

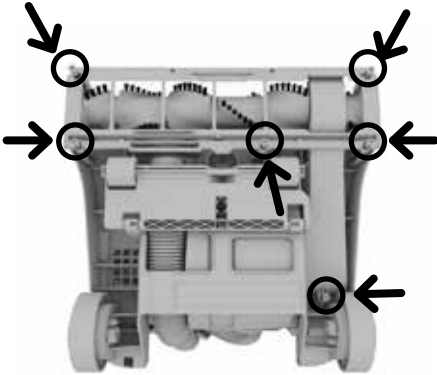
# HOW TO

## CAUTION

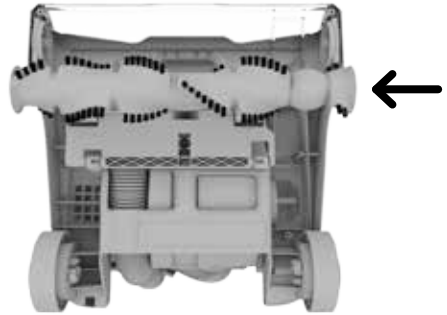
To reduce the risk of injury from moving parts - Unplug before servicing.

### CLEAN THE BRUSHROLL

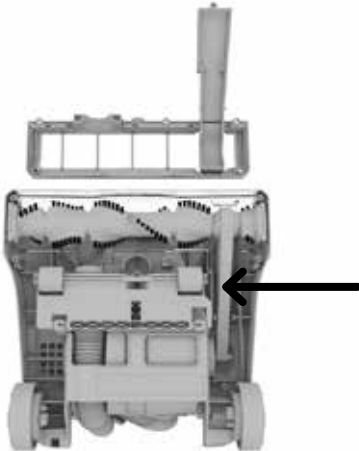
1. Turn your vacuum over.  
Use a Phillips screwdriver to take off the 6 screws.  
Remove the bottom plate.



2. Clean the brushroll.



3. Slide on belt with the lettering on the outside.





# HOW TO

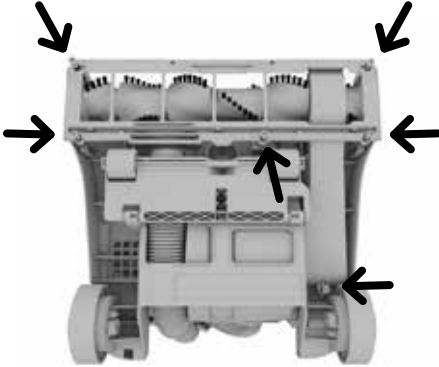


## CAUTION

To reduce the risk of injury from moving parts - Unplug before servicing.

## REPLACE THE BELT

1. Turn your vacuum over.  
Use a Phillips screwdriver to take off the 6 screws.  
Remove the bottom plate.



2. Then take off that old belt.  
Slide on a new belt with the lettering on the outside.

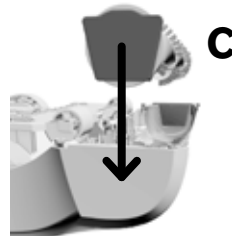
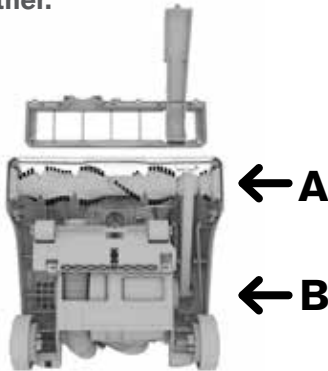


3. Slip belt around the brushroll in area without bristles (A) and metal pin (B). Each end of the brushroll will fit into pockets on each side of the nozzle (C). Put the plate back on and screw together.



### LUBRICATION:

The motor and brushroll are equipped with bearings which contain sufficient lubrication for their lifetime. The addition of lubricant could cause damage. Do not add lubricant to motor or brushroll.



**NOTE:** Any other servicing should be done by an authorized service representative. If appliance is not working as it should, has been dropped, damaged, left outdoors or dropped into water, take it to a service center prior to continuing use.

For replacement belt style 5 visit [dirtdevil.com](http://dirtdevil.com) or call us at (800) 321-1134.

# TROUBLESHOOTING

Any other servicing should be done by an authorized service representative. If appliance is not working as it should, has been dropped, damaged, left outdoors, or dropped into water, take it to a service center prior to continuing use.



## WARNING

To reduce the risk of personal injury - Unplug before cleaning or servicing.

PROBLEM	POSSIBLE CAUSE	POSSIBLE SOLUTION
<b>Vacuum won't run</b>	1. Power cord not firmly plugged into outlet.	1. Plug unit in firmly.
	2. No voltage in wall plug.	2. Check fuse or breaker in home.
	3. Blown fuse or tripped breaker.	3. Replace fuse/reset breaker in home.
	4. Thermal Protector activated.	4. Unplug and allow vacuum to cool for 30min. (This will reset the thermal protector)
<b>Dust escaping from vacuum</b>	1. Dirt cup full.	1. Empty dirt cup.
	2. Dirt cup not installed correctly.	2. Review Dirt Cup removal & replacement.
	3. Hose not installed correctly.	3. Review Hose installation.
	4. Rinsable and/ or Filter made with HEPA media not installed completely.	4. Review Filter Removal and Cleaning.
<b>Smoky/burning smell detected</b>	1. Belt broken or stretched.	1. Replace brushroll belt.
	2. Brushroll is clogged.	2. Clear/remove debris from brushroll.
<b>Vacuum tools won't pick-up</b>	1. Hose clogged	1. Remove hose and tools; remove obstruction.
	2. Dirt cup full	2. Empty dirt cup.
	3. One or both filters are clogged.	3. Remove both filters and clean.
	4. Release handle/wand to actuate internal valve.	4. Pull handle up and out of unit.
	5. Vacuum not picking up debris.	5. Brushroll could be turned off or the belt could be broken.



**NOTE:** Any other servicing should be done by an authorized service representative. If appliance is not working as it should, has been dropped, damaged, left outdoors or dropped into water, take it to a service center prior to continuing use.

# WARRANTY



## LIMITED WARRANTY

### WHAT THIS WARRANTY COVERS

When used and maintained in normal household use and in accordance with the Owner's Manual, your Dirt Devil® product is warranted against original defects in material and workmanship. During the Warranty Period, We will provide labor and parts, at no cost to you, to correct any such defect in products purchased in the United States, U.S. Military Exchanges and Canada.

### HOW TO MAKE A WARRANTY CLAIM

If this product is not as warranted, take or send the product to a Dirt Devil® Authorized Warranty Service Dealer along with proof of purchase. For an automated referral to authorized service outlets in the U.S.A., phone: 1-800-321-1134 OR visit Dirt Devil® online at [www.DirtDevil.com](http://www.DirtDevil.com). For additional assistance or information concerning this Warranty or the availability of warranty service outlets, phone the Dirt Devil® Consumer Response Center, Phone 1-800-321-1134, Mon-Fri 8am-7pm EST.

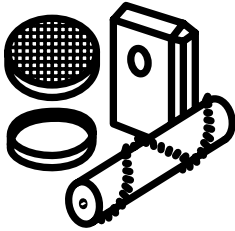
### WHAT THIS WARRANTY DOES NOT COVER

This Warranty does not cover: use of the product in a commercial operation (such as maid, janitorial and equipment rental services), brushroll, belt, bags, filters, improper maintenance of the product, damage due to misuse, acts of God, nature, vandalism or other acts beyond the control of Royal Appliance Mfg. Co. ("Royal", "we"), owner's acts or omissions, use outside the country in which the product was initially purchased and resales of the product by the original owner. This warranty does not cover pick up, delivery, transportation or house calls.

This warranty does not apply to products purchased outside the United States, including its territories and possessions, outside a U.S. Military Exchange and outside of Canada. This warranty does not cover products purchased from a party that is not an authorized retailer, dealer, or distributor of Royal products.

### OTHER IMPORTANT TERMS

This Warranty is not transferable and may not be assigned. This Warranty shall be governed and construed under the laws of the state of Ohio. The Warranty Period will not be extended by any replacement or repair performed under this Warranty. THIS WARRANTY IS THE EXCLUSIVE WARRANTY AND REMEDY PROVIDED BY ROYAL. ALL OTHER WARRANTIES, EXPRESSED OR IMPLIED, INCLUDING WARRANTIES OF MERCHANTABILITY OR FITNESS FOR PARTICULAR PURPOSE, ARE DISCLAIMED. IN NO EVENT WILL ROYAL BE LIABLE FOR ANY SPECIAL, INDIRECT, INCIDENTAL OR CONSEQUENTIAL DAMAGES OF ANY KIND OR NATURE TO OWNER OR ANY PARTY CLAIMING THROUGH OWNER, WHETHER BASED IN CONTRACT, NEGLIGENCE, TORT OR STRICT PRODUCTS LIABILITY OR ARISING FROM ANY CAUSE WHATSOEVER. Some states do not allow the exclusion of consequential damages, so the above exclusion may not apply to you. This warranty gives you specific rights; you may also have others that vary from state to state.



## Find **GENUINE** Replacement Parts at [www.dirtdevil.com](http://www.dirtdevil.com)

This product uses the following parts:

**BELT STYLE** \_\_\_\_\_ **5**  
**PRE-MOTOR FILTER** \_\_\_\_\_ **F112**  
**EXHAUST FILTER** \_\_\_\_\_ **F111**



Call our Customer  
Service Department  
at **(800) 321-1134**

8:00 a.m. - 7:00 p.m. EST Mon. - Fri.  
[www.dirtdevil.com](http://www.dirtdevil.com)

### **OUR VACS SPEAK VOLUMES**

Pick Up the Conversation On...



[Facebook.com/DirtDevil](https://www.facebook.com/DirtDevil)



[Twitter@DirtDevil](https://twitter.com/DirtDevil)



# Dirt Devil® Upright

Aspirateur-balai cyclonique pour  
tapis et planchers durs

Mon modèle est : \_\_\_\_\_



## 1·2·3...

## GUIDE D'UTILISATION

#961151970 / ID115147 / R1 5/17

©2015 Tous droits réservés.



### OBTENEZ DES PIÈCES

- MODÈLE DE COURROIE 5
- FILTRE SITUÉ AVANT LE MOTEUR F112
- FILTRE D'ÉVACUATION F111

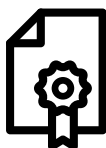


**LET'S GO.™**

# BONJOUR! BIENVENUE

Félicitations pour l'achat de votre nouvel aspirateur-balai cyclonique pour tapis et planchers durs Dirt Devil®. Vous trouverez à l'intérieur de ce manuel tout ce que vous devez savoir au sujet de l'utilisation de vos accessoires.

Alors, qu'attendez-vous? **ALLONS-Y!**<sup>MC</sup>



## ENREGISTREMENT DU PRODUIT

### Enregistrement de la garantie

**Assurez-vous d'enregistrer votre produit en ligne sur le site [www.dirtdevil.com](http://www.dirtdevil.com) ou en appelant au numéro 1 800 321-1134.**

Conseil : Brochez vos reçus d'achat à ce manuel du propriétaire. La vérification de la date d'achat peut être requise pour une réparation au titre de la garantie de votre produit DirtDevil<sup>MD</sup>.

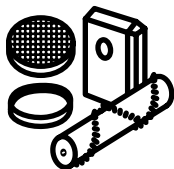
Veuillez inscrire les renseignements de votre appareil ci-dessous afin de les consulter rapidement.

No de modèle : \_\_\_\_\_

Code du fabricant : \_\_\_\_\_

(Vous trouverez le code du fabricant à l'arrière ou au bas de l'appareil)

**Vous trouverez vos pièces de rechange d'ORIGINE en visitant le site [www.dirtdevil.com](http://www.dirtdevil.com)**



**Cet appareil est équipé des pièces suivantes :**

**STYLE DE COURROIE** \_\_\_\_\_ **5**

**PRÉFILTRE POUR MOTEUR** \_\_\_\_\_ **F112**

**FILTRE D'ÉCHAPPEMENT** \_\_\_\_\_ **F111**

---

## TABLE DES MATIÈRES



### 1·2·3...

Assemblage rapide ————— 26



Accessoires ————— 28

Comment faire ————— 32



Dépannage ————— 38



Limitée garantie ————— 39



# AVERTISSEMENT



**IMPORTANT : LISEZ ATTENTIVEMENT AVANT L'ASSEMBLAGE ET L'UTILISATION. CET APPAREIL EST DESTINÉ UNIQUEMENT À UN USAGE DOMESTIQUE. UNE UTILISATION À DES FINS COMMERCIALES ANNULERA LA GARANTIE.**

## CONSIGNES DE SÉCURITÉ IMPORTANTES

Des précautions de base doivent toujours être respectées lors de l'utilisation d'un appareil électrique, y compris les suivantes :

**VEUILLEZ LIRE TOUTES LES INSTRUCTIONS AVANT D'UTILISER CET APPAREIL.**

## AVERTISSEMENT : POUR RÉDUIRE LE RISQUE D'INCENDIE, DE DÉCHARGE ÉLECTRIQUE, DE DOMMAGE OU DE BLESSURE :

- Assembler complètement avant l'utilisation.
- N'utiliser l'appareil qu'à la tension spécifiée sur la plaque signalétique située à la base de l'appareil.
- Ne pas laisser l'appareil sans surveillance lorsqu'il est branché. Le débrancher quand il n'est pas utilisé et avant d'en faire l'entretien.
- Ne pas utiliser l'appareil à l'extérieur ou sur des surfaces humides.
- Ne permettez pas aux enfants de jouer avec l'appareil. Cet appareil ne doit pas être utilisé par des enfants de moins de 12 ans. Exercez une surveillance étroite lorsque l'appareil est utilisé par des enfants ou à proximité d'enfants. Gardez l'appareil hors de la portée des enfants et ne laissez pas ces derniers introduire leurs doigts ou d'autres objets dans aucune ouverture afin d'éviter les blessures ou les bris.
- Utiliser cet aspirateur uniquement de la façon décrite dans ce guide. Utiliser uniquement les accessoires et les produits recommandés par le fabricant.
- Ne pas utiliser l'appareil si la fiche ou le cordon sont endommagés. Si l'aspirateur ne fonctionne pas adéquatement, s'il est tombé, a été endommagé, a été laissé à l'extérieur ou est tombé dans l'eau, l'expédier à un centre de réparation pour qu'il soit vérifié.
- Ne tirez pas l'appareil par son cordon, ne vous servez pas du cordon comme poignée, ne fermez pas de portes sur le cordon et ne tirez pas le cordon sur des coins ou des bords tranchants. Ne pas placer l'appareil sur le cordon. Évitez de passer l'appareil sur le cordon d'alimentation. Tenez le cordon à l'écart des surfaces chauffées.
- Ne débranchez pas l'appareil en tirant sur le cordon. Pour débrancher l'appareil, tirez sur la fiche, et non sur le cordon.
- Ne manipulez pas la fiche ou l'appareil avec les mains mouillées.
- N'insérez pas d'objets dans les ouvertures. N'utilisez pas l'appareil si ses orifices sont obstrués; enlevez de ces dernières la poussière, les peluches, les cheveux et tout ce qui pourrait réduire le débit d'air.
- Gardez les cheveux, les vêtements amples, les doigts et toute autre partie du corps à l'écart des ouvertures et des pièces en mouvement. Le rouleau-brosse continue de tourner lorsque l'appareil est en position verticale.
- Éteignez toutes les commandes avant de débrancher l'appareil.
- Être très prudent pendant l'utilisation dans les escaliers. Afin d'éviter les blessures ou les dommages et d'empêcher l'appareil de tomber, toujours le placer au bas de l'escalier. Ne pas placer l'appareil dans les escaliers ou sur un meuble, ce qui pourrait causer des blessures ou des dommages.



- Ne pas utiliser l'appareil pour ramasser des liquides inflammables ou combustibles, comme de l'essence, ou de la sciure de bois, ni l'utiliser à proximité de ces matériaux.
- Débranchez avant de connecter le Turbo Tool®.
- Évitez d'aspirer tout objet qui brûle ou fume, comme les cigarettes, les allumettes et les cendres incandescentes.
- Ne pas utiliser l'appareil sans son vide-poussière et/ou ses filtres.
- **AVERTISSEMENT** : Cet appareil contient des produits chimiques reconnus par l'État de la Californie comme pouvant causer le cancer, entraîner des malformations congénitales ou endommager les organes de reproduction. **SE LAVER LES MAINS APRÈS L'UTILISATION.**



## **MISE EN GARDE : POUR RÉDUIRE LES RISQUES DE DOMMAGES :**

- Éviter de ramasser des objets durs ou aux arêtes tranchantes avec l'appareil, car ils peuvent endommager l'appareil.
- Ranger adéquatement à l'intérieur, dans un endroit sec. Ne pas exposer l'appareil à des températures de gel.
- Ne pas utiliser d'objets coupants pour nettoyer le tuyau car cela risquerait de l'endommager.
- Lorsque le rouleau-brosse est en marche, ne pas laisser l'appareil longtemps au même endroit, car cela pourrait endommager le plancher.
- Le rouleau-brosse continue de tourner lorsque l'appareil est en marche et que la poignée est redressée. Afin d'éviter tout dommage aux tapis, carpettes et revêtements de sol, évitez d'incliner l'appareil ou de l'utiliser sur des meubles, des carpettes à franges ou des escaliers recouverts de tapis lorsque l'outil fonctionne.

### **CONSIGNES DE SÉCURITÉ IMPORTANTES**



## **AVERTISSEMENT :**

Afin de réduire les risques de choc électrique, cet appareil est muni d'une fiche polarisée (une tige est plus large que l'autre). Cette fiche ne peut être insérée que dans une prise de courant polarisée et uniquement dans un sens. Si la fiche ne s'insère pas complètement dans la prise, il faut l'inverser. Si elle ne s'insère toujours pas, demander à un électricien qualifié d'installer la prise appropriée. Ne jamais modifier la fiche.



## **AVIS L'ASPIRATEUR EST DOTÉ D'UN PROTECTEUR THERMIQUE INTERNE POUR LE PROTÉGER CONTRE LA SURCHAUFFE. LORSQUE LE PROTECTEUR THERMIQUE EST ACTIVÉ,**

### **L'ASPIRATEUR S'ARRÊTE.**

Si cela se produit, procéder comme suit :

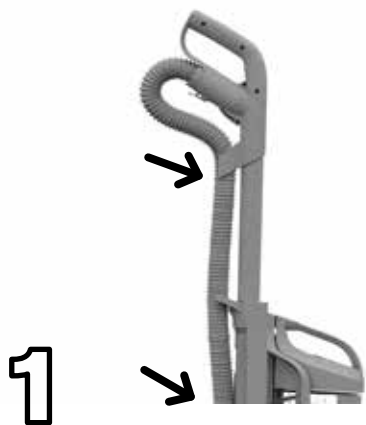
1. Éteindre l'aspirateur et le débrancher.
2. Vider le vidéepoussière.
3. Inspecter l'entrée de la buse, le connecteur à l'extrémité du tuyau, le tuyau, l'entrée du vide-poussière, le filtre cyclonique, le filtre lavable et le filtre HEPA pour repérer une obstruction.
4. Dégager les obstructions au besoin.

Lorsque l'appareil est débranché et que le moteur a refroidi 30 minutes, le protecteur thermique se désactive et l'appareil peut de nouveau être utilisé.

Si le protecteur thermique est encore activé après avoir suivi les étapes ci-dessus, il se peut que l'aspirateur ait besoin d'entretien.

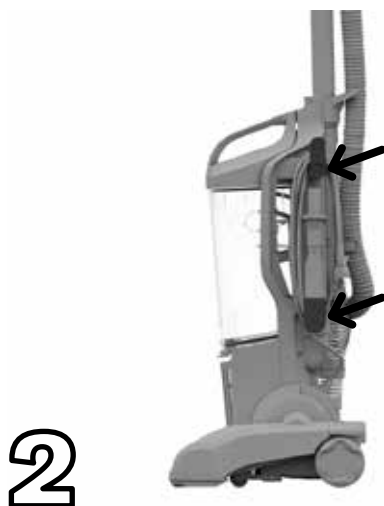
# ASSEMBLAGE RAPIDE

---



---

**INSÉREZ LE TUBE DE  
NETTOYAGE SUR LE  
DESSUS DE L'ASPIRATEUR.  
FIXEZ LE TUYAU ICI ET LÀ.**

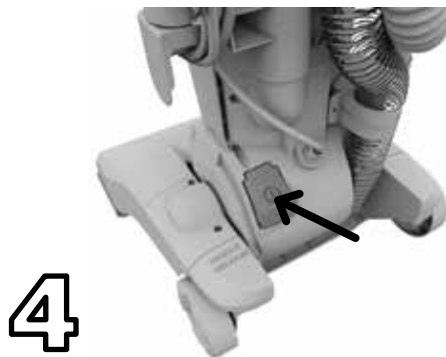


---

**ENTOUREZ LE CORDON  
AUTOUR DE SES CROCHETS.**



**APPUYEZ ICI ET TIREZ LA  
POIGNÉE VERS L'ARRIÈRE POUR  
L'INCLINER.**



**BRANCHEZ LE CORDON ET  
APPUYEZ ICI POUR METTRE  
L'APPAREIL SOUS TENSION.**

**VOTRE  
FEATHERLITE® EST  
PRÊT À NETTOYER!  
LET'S GO.™**



### DÉPANNAGE

Visitez le site [dirtdevil.com/support](http://dirtdevil.com/support) ou appelez Service à la clientèle au 1 800 321-1134 8 h à 17 h HNE.  
Suivez les discussions sur...

 [Facebook.com/DirtDevil](https://www.facebook.com/DirtDevil)

 [Twitter@DirtDevil](https://twitter.com/DirtDevil)

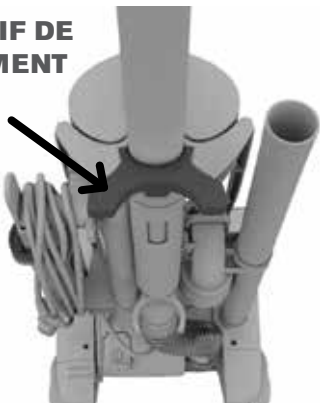
# ACCESSOIRE

---

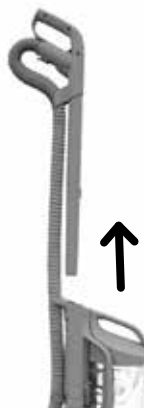
## TUBE DE NETTOYAGE \* AMOVIBLE

1. Appuyez sur le bouton  
de dégagement du tube.

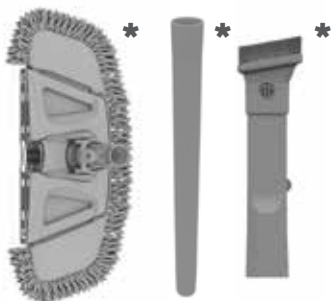
**DISPOSITIF DE  
DÉGAGEMENT  
DU TUBE**



2. Sortez le tube en le tirant  
vers le haut.



3. Installez l'outil qu'il vous  
faut sur le tube pour faciliter  
le nettoyage. Une fois que  
vous aurez terminé, tournez  
l'outil en tirant dessus pour  
le retirer.



\*Les accessoires ne sont pas inclus avec tous les modèles.

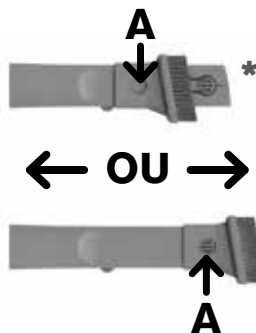
## ⚠ MISE EN GARDE

N'utilisez pas l'aspirateur pour toiletter un animal.

## ⚠ AVERTISSEMENT

Débranchez l'appareil avant d'installer le tuyau, le tube ou un accessoire.

## JEU COMPLET D'ACCESSOIRES INTÉGRÉS



### OUTIL COMBINÉ 2-EN-1 :

Utilisez le suceur plat dans les espaces restreints, les coins, et le long des rebords de marches et des plinthes. Essayez la brosse à épousseter sur les meubles, le dessus des tables, les lampes, les stores, et plus encore. Appuyez sur le bouton de verrouillage (A) et faites-le glisser pour sélectionner un mode.



**OUTIL D'ASPIRATION ET DE DÉPOUSSIÉRAGE DES PLANCHERS AVEC SWIPES™ :**  
Aspirez et dépoussiérez la plupart des planchers durs.



### TUBE RALLONGE :

Fixez au tube de nettoyage pour augmenter votre portée lors du nettoyage des surfaces surélevées et des planchers durs.



**TURBO TOOL® :** Pour les meubles recouverts de tissu, les tentures, les matelas et les escaliers.

\*Les accessoires ne sont pas inclus avec tous les modèles.

# ACCESSOIRES

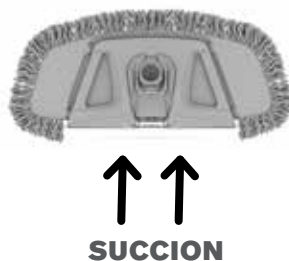
## NETTOYAGE DES SURFACES DURES AVEC LE TAMPON EN MICROFIBRE SWIPES<sup>MC</sup>\*

L'accessoire pour plancher Vac+Dust et le tampon en microfibre SWIPES<sup>MC</sup> ramassent la saleté, la poussière, les débris et les poils d'animaux. Votre Featherlite<sup>®</sup> ramasse le reste.

1. Glissez un côté dans la pochette, puis l'autre.



2. L'aspirateur ramasse la saleté et les débris qui se trouvent sur vos planchers durs alors que le tampon en microfibre SWIPES<sup>TM</sup> ramasse le reste.



\*Les accessoires ne sont pas inclus avec tous les modèles.

## NETTOYAGE DES SURFACES SURÉLEVÉES

1. Retirez le tube de nettoyage amovible pour nettoyer facilement les surfaces surélevées.
2. Fixez le tube-rallonge et l'outil 2-en-1 pour améliorer le nettoyage.



### MISE EN GARDE

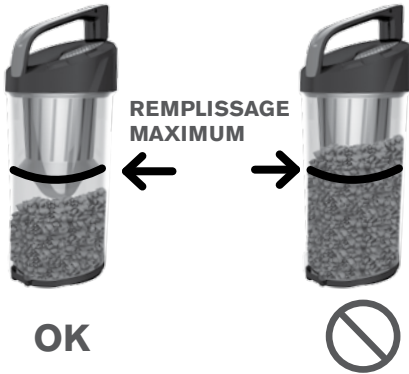
Redoublez de prudence lorsque vous utilisez l'appareil sur des escaliers. Pour éviter tout dommage ou blessure et empêcher l'appareil de tomber, placez toujours ce dernier au bas des escaliers, sur le plancher. Ne placez pas l'appareil sur les marches d'un escalier ou sur un meuble, car cela peut entraîner des dommages ou des blessures. Lorsque vous utilisez des accessoires, assurez-vous que la poignée est toujours redressée.

\*Les accessoires ne sont pas inclus avec tous les modèles.

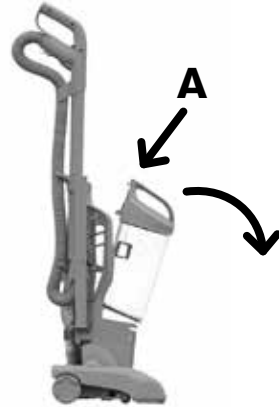
Débranchez l'appareil avant de le nettoyer ou de faire l'entretien afin de réduire le risque de blessures. N'utilisez pas l'aspirateur sans avoir installé le vide-poussière ou les filtres.

## POUR VIDER LE VIDE-POUSSIÈRE

1. Videz la poussière lorsque le vide-poussière est plein.

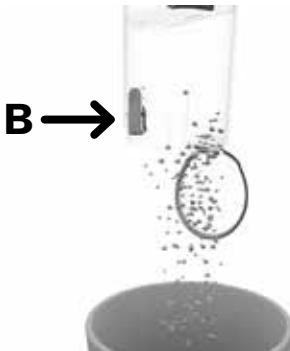


2. Appuyez sur le bouton de dégagement (A), puis retirez le vide-poussière.

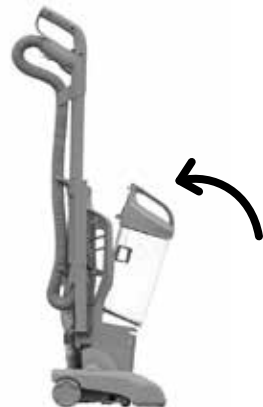


La vidange du vide-poussière est une étape idéale pour vérifier l'état de votre filtre. Votre filtre est sale? Consultez les étapes de nettoyage à la page 33.

3. Maintenant, videz la poussière en appuyant sur le bouton inférieur (B). Utilisez un chiffon pour retirer la poussière.



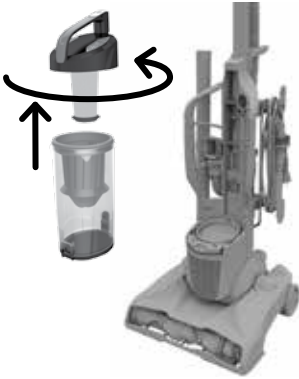
4. Réinsérez la partie inférieure en premier. Poussez la partie supérieure du vide-poussière contre le panneau arrière jusqu'à ce qu'elle s'enclenche.





## POUR NETTOYER LE FILTRE LAVABLE

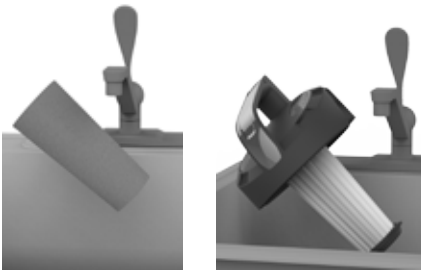
1. Enlevez le vide-poussière. Voyez-vous le filtre qui se trouve sous le vide-poussière? Soulevez-le.



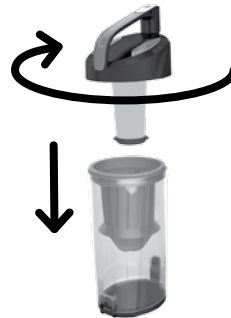
2. Nettoyer dans une poubelle en tapotant.



3. Toutes les pièces sont rinçables. Laisser sécher 24 heures avant utilisation.



4. **REVISSEZ** le filtre à l'intérieur de la poignée puis remettez-la en place sur le vide-poussière et vissez pour fermer. Remettez le vide-poussière en place sur l'aspirateur.



Pour savoir comment vous procurer un filtre de remplacement F112, visitez le [dirtdevil.com](http://dirtdevil.com) ou appelez-nous au (800) 321-1134.

## **AVERTISSEMENT**

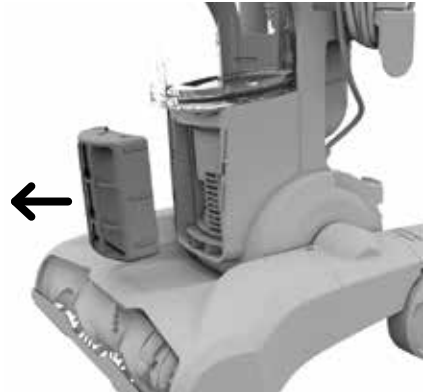
Débranchez l'appareil avant de le nettoyer ou de faire l'entretien afin de réduire le risque de blessures. N'utilisez pas l'aspirateur sans avoir installé le vide-poussière ou les filtres.

## **POUR NETTOYER LES FILTRES D'ÉCHAPPEMENT**

1. Poussez les languettes situées sur le devant du couvercle afin de faire pivoter ce dernier pour l'ouvrir.



2. Sortez le filtre, rincez la saleté des deux côtés, puis laissez sécher à l'air pendant 24 heures ou jusqu'à ce que le filtre soit sec.



3. Remettez le filtre sec en place. Alignez ensuite le couvercle du filtre avec les languettes inférieures, puis appuyez sur le couvercle pour le remettre en place.



Pour savoir comment vous procurer un filtre de remplacement F111, visitez le [dirtdevil.com](http://dirtdevil.com) ou appelez-nous au (800) 321-1134.

Débranchez l'appareil avant de le nettoyer ou d'en effectuer l'entretien afin de réduire le risque de blessures. N'utilisez pas l'aspirateur sans avoir installé le vide-poussière ou les filtres.

## POUR NETTOYER L'ENSEMBLE CYCLONIQUE

1. Tournez dans le sens contraire des aiguilles d'une montre pour ouvrir le vide-poussière. Retirez l'assemblage du filtre cyclonique du vide-poussière.



2. Utilisez la brosse à épousseter pour nettoyer l'ensemble cyclonique.\*



\*L'accessoire pour poils d'animaux n'est pas fourni avec tous les modèles.

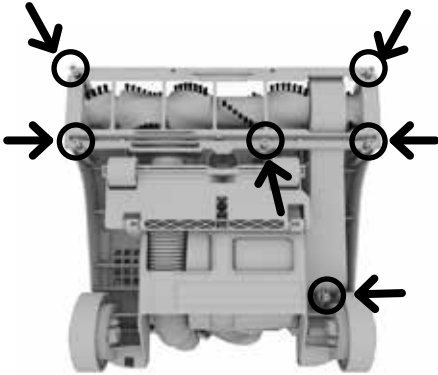
# COMMENT FAIRE

## MISE EN GARDE

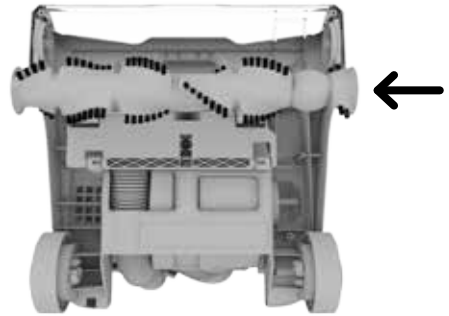
Pour réduire le risque de blessures présenté par les pièces en mouvement, débranchez l'appareil avant d'en effectuer l'entretien.

### POUR NETTOYER LE ROULEAU-BROSSE

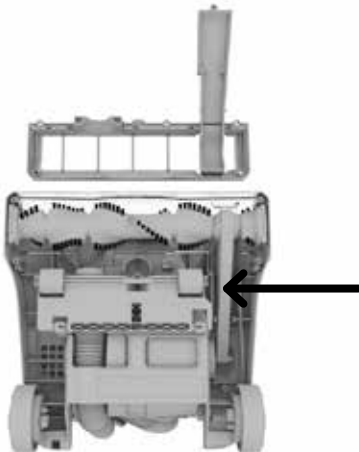
1. Retournez votre aspirateur.  
Utilisez un tournevis cruciforme pour retirer les six vis. Enlevez la base.



2. Placez le rehausseur de rouleau dans la position haute.



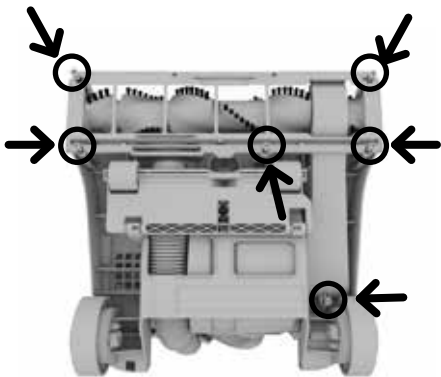
3. Nettoyez le rouleau-brosse.



Pour réduire le risque de blessures présenté par les pièces en mouvement, débranchez l'appareil avant d'en effectuer l'entretien.

## POUR REMPLACER LA COURROIE

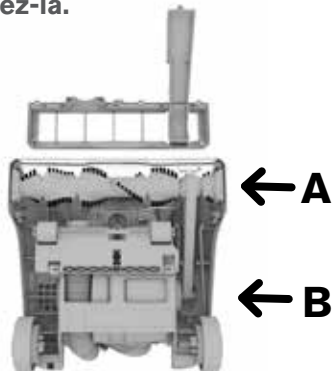
1. Retournez votre aspirateur. Utilisez un tournevis cruciforme pour retirer les six vis. Enlevez la base.



2. Répétez les étapes 1 et 2. Puis retirez l'ancienne courroie. Insérez une nouvelle courroie en la faisant glisser. Les inscriptions doivent être orientées vers l'extérieur.

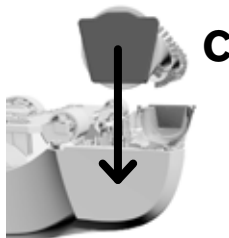


3. Faites glisser la courroie autour du rouleau-brosse, sur la partie dépourvue de poils (A) et de tiges métalliques (B). Chaque extrémité du rouleau-brosse doit s'insérer dans l'une des poches se trouvant de chaque côté de la buse (C). Remettez la base en place et vissez-la.



### LUBRIFICATION :

Le moteur et le rouleau-brosse sont équipés de paliers suffisamment lubrifiés pour toute leur durée de vie. Toute lubrification supplémentaire pourrait causer des dommages. Ne pas ajouter de lubrifiant au moteur ou au rouleau-brosse.



**REMARQUE :** Toute autre tâche d'entretien doit être confiée à un représentant de service autorisé. Cessez d'utiliser l'appareil s'il ne fonctionne pas comme prévu, s'il a été échappé sur le sol ou dans l'eau, s'il est endommagé ou s'il a été laissé à l'extérieur et apportez-le au centre de réparations.

Pour savoir comment vous procurer une courroie de remplacement de style 5, visitez le [dirtdevil.com](http://dirtdevil.com) ou appelez-nous au (800) 321-1134.

# DÉPANNAGE

Toute autre tâche d'entretien doit être confiée à un représentant de service autorisé. Cessez d'utiliser l'appareil s'il ne fonctionne pas comme prévu, s'il a été échappé sur le sol ou dans l'eau, s'il est endommagé ou s'il a été laissé à l'extérieur et apportez-le au centre de réparations.



## AVERTISSEMENT

Débranchez l'appareil avant de le nettoyer ou de faire l'entretien afin de réduire le risque de blessures.

PROBLÈME	CAUSE POSSIBLE	SOLUTION
<b>L'aspirateur ne se met pas en marche.</b>	1. Le cordon d'alimentation n'est pas bien branché sur la prise de courant.	1. Insérez fermement la fiche dans la prise de courant.
	2. Pas de tension à la prise murale.	2. Vérifiez les fusibles ou les disjoncteurs du domicile.
	3. Fusible grillé ou disjoncteur déclenché.	3. Remplacez le fusible ou enclenchez le disjoncteur du domicile.
	4. Le rupteur thermique est activé.	4. Débranchez l'aspirateur et laissez-le refroidir pendant 30 minutes. (Ceci réinitialisera le rupteur thermique)
<b>La poussière s'échappe de l'aspirateur.</b>	1. Le vide-poussière est plein.	1. Videz le vide-poussière.
	2. Le vide-poussière est mal installé.	2. Relisez le chapitre au sujet du retrait et de la réinstallation du vide-poussière.
	3. Le tuyau est mal installé.	3. Vérifiez l'installation du tuyau.
	4. Le filtre lavable ou le filtre conçu avec la technologie HEPA n'ont pas été installés correctement.	4. Relisez le chapitre au sujet du retrait et du nettoyage du filtre.
<b>Présence d'une odeur de fumée et de brûlé.</b>	1. La courroie est brisée ou lâche.	1. Remplacez la courroie du rouleau-brosse.
	2. Le rouleau à brosses est coincé.	2. Retirez tous les débris du rouleau à brosses.
<b>Les accessoires de l'aspirateur n'aspirent pas.</b>	1. Le tuyau est obstrué.	1. Retirez le tuyau et les outils, puis retirez la source de l'obstruction.
	2. Le vide-poussière est plein.	2. Videz le vide-poussière.
	3. Les filtres sont obstrués.	3. Retirez les deux filtres et nettoyez-les.
	4. La poignée de déblocage ou le tube actionne la valve interne.	4. Soulevez la poignée et retirez-la de l'appareil.
	5. L'aspirateur ne ramasse pas les débris.	5. Il se peut que le rouleau-brosse soit éteint ou que la courroie soit brisée.



**REMARQUE :** Toute autre tâche d'entretien doit être confiée à un représentant de service autorisé. Cessez d'utiliser l'appareil s'il ne fonctionne pas comme prévu, s'il a été échappé sur le sol ou dans l'eau, s'il est endommagé ou s'il a été laissé à l'extérieur et apportez-le au centre de réparations.

# GARANTIE



## LIMITÉE GARANTIE

### COUVERTURE DE LA GARANTIE

Votre appareil Dirt Devil<sup>MD</sup> est garanti contre les défauts de fabrication et de main d'œuvre s'il est utilisé à des fins domestiques normales et conformément au manuel du propriétaire. Pendant la Période de garantie, nous fournirons la main-d'œuvre et les pièces gratuitement afin de corriger une telle défectuosité pour les produits achetés aux États-Unis, dans les boutiques d'échanges militaires américaines et au Canada.

### RÉCLAMATION AU TITRE DE LA GARANTIE

Si le produit n'est pas dans l'état prévu par la garantie, apportez ou envoyez le produit à un centre de réparations autorisé Dirt Devil<sup>MD</sup> avec une preuve d'achat. Pour obtenir la liste des points de service autorisés aux É.-U., composez le numéro du service automatisé au 1 800 321-1134 OU visitez Dirt Devil<sup>MD</sup> en ligne à l'adresse [www.DirtDevil.com](http://www.DirtDevil.com) Pour obtenir du soutien ou d'autres renseignements au sujet de la garantie ou pour connaître les boutiques offrant les réparations au titre de la garantie, appelez le Centre de réponses à la clientèle Dirt Devil<sup>MD</sup> au numéro 1 800 321-1134, du lundi au vendredi, de 8 h à 19 h, HND.

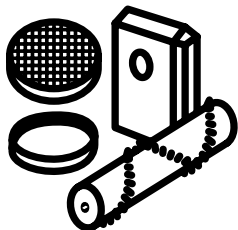
### ÉLÉMENTS NON COUVERTS PAR LA GARANTIE

Cette garantie ne couvre pas : l'utilisation du produit à des fins commerciales (comme par les femmes de chambre, les concierges et les services de location d'équipement), le rouleau de brosses, la courroie, les sacs, les filtres, un entretien inadéquat du produit, les bris causés par la mauvaise utilisation, les cas fortuits et autres actes hors du contrôle de la Royal Appliance Mfg. Co. (« Royal », « nous »), les agissements ou omissions du propriétaire, l'utilisation à l'extérieur du pays d'achat et de reventes d'origine du produit par le premier acheteur. La présente garantie ne couvre pas le ramassage, la livraison, le transport, ni les réparations à domicile.

Cette garantie ne s'applique pas aux produits achetés en dehors des États-Unis, y compris ses territoires et possessions, en dehors d'une boutique d'échanges militaires américaine et à l'extérieur du Canada. Cette garantie ne couvre pas les produits achetés à une partie n'étant pas un détaillant, concessionnaire ou distributeur autorisé des produits Royal.

### AUTRES CONDITIONS IMPORTANTES

La présente garantie n'est pas transférable et ne peut pas être cédée. La présente garantie sera régie et interprétée selon les lois de l'État de l'Ohio. La période de garantie ne sera pas prolongée après tout remplacement ou toute réparation au titre de la présente garantie. **CETTE GARANTIE EST VOTRE SEUL RECOURS ET VOIE DE DROIT FOURNIS PAR ROYAL. TOUTES AUTRES GARANTIES, EXPRESSES OU TACITES, INCLUANT LES GARANTIES DE QUALITÉ MARCHANDE OU D'ADAPTATION À UN USAGE PARTICULIER, SONT DÉCLINÉES. EN AUCUN TEMPS, ROYAL NE POURRA ÊTRE TENUE RESPONSABLE DE TOUS LES DOMMAGES-INTÉRÊTS SPÉCIAUX, INDIRECTS, ACCIDENTELS OU ACCESSOIRES D'AUCUNE SORTE OU D'AUCUNE NATURE ENVERS LE PROPRIÉTAIRE OU DE TOUTES PARTIES RÉCLAMANT AU NOM DU PROPRIÉTAIRE, QUE CE SOIT PAR CONTRAT, NÉGLIGENCE, TORT OU RESPONSABILITÉ STRICTE DES PRODUITS OU SURVENUS PAR QUELQUE CAUSE QUE CE SOIT.** Certains États ne permettent pas l'exclusion des dommages consécutifs. Par conséquent, l'exclusion précédente pourrait ne pas être applicable dans votre cas. La présente garantie vous donne des droits précis. Vous pouvez également avoir d'autres droits, lesquels varient d'une province à l'autre.



**Vous trouverez vos  
pièces de rechange  
d'ORIGINE en visitant  
le site  
[www.dirtdevil.com](http://www.dirtdevil.com)**

Cet appareil est équipé des pièces suivantes :

**STYLE DE COURROIE ————— 5**

**PRÉFILTRE POUR MOTEUR ————— F112**

**FILTRE D'ÉCHAPPEMENT ————— F111**



**Appelez le Service à  
la clientèle au numéro  
1 800 321-1134**

8 h à 17 h HNE. Lundi au vendredi

[www.dirtdevil.com](http://www.dirtdevil.com)

## **LES FAITS ÉLOQUENTS DE NOS ASPIRATEURS**

Suivez les discussions sur...



[Facebookcom/DirtDevil](https://www.facebook.com/DirtDevil)



[Twitter@DirtDevil](https://twitter.com/DirtDevil)





# Dirt Devil® Upright

Para limpieza de alfombrados + pisos duros

Mi modelo es: \_\_\_\_\_



## 1·2·3...

## MANUAL DEL USUARIO

#961151970 / ID115147 / R1 5/17

©2015 Todos los derechos reservados.



### SI NECESITA PIEZAS DE REPUESTO

- ESTILO DE BANDA 5
- FILTRO PREVIO AL MOTOR F112
- FILTRO DE ESCAPE F111

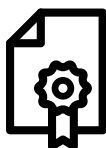


**LET'S GO.™**

# HOLA. BIENVENIDO.

Felicitaciones por adquirir la nueva aspiradora vertical ciclónica Dirt Devil® para limpieza en alfombrados + pisos duros. En este manual encontrará todo lo que desee saber, desde las herramientas hasta las instrucciones de uso.

¿Qué está esperando? LET'S GO.™



## REGISTRO DEL PRODUCTO

### Registro de la garantía

**Asegúrese de registrar su producto en línea, en el sitio [www.DirtDevil.com](http://www.DirtDevil.com), o comuníquese al 1-800-321-1134 para realizar el registro telefónicamente.**

Consejo: Adjunte su recibo de compra a este Manual del propietario. Puede que le soliciten la fecha de compra para obtener el servicio de la garantía de su producto Dirt Devil®.

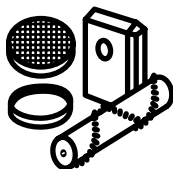
Para poder consultar rápidamente, anote la información de su producto a continuación.

N. ° de modelo: \_\_\_\_\_

Cód. de fabricación: \_\_\_\_\_

(El cód. de fabricación ubicado en el reverso del producto o en su base.)

**Encuentre piezas de repuesto GENUINAS en el sitio [www.dirtdevil.com](http://www.dirtdevil.com).**



**En este producto se utilizan las siguientes piezas:**

**CORREA ESTILO** \_\_\_\_\_ **5**

**FILTRO PREMOTOR** \_\_\_\_\_ **F112**

**FILTRO DE ESCAPE** \_\_\_\_\_ **F111**

---

## ÍNDICE



### 1·2·3...

Ensamblaje para inicio de uso rápido ————— 46



Herramientas ————— 48

Instrucciones de uso ————— 52



Resolución de problemas ————— 58



Garantía limitada ————— 59



# ADVERTENCIA



**IMPORTANTE: LEA ESTE MANUAL CON ATENCIÓN ANTES DE ENSAMBLAR Y USAR ESTE APARATO. ESTE PRODUCTO TIENE COMO FIN UN USO DOMÉSTICO ÚNICAMENTE. SI SE LO UTILIZA CON FINES COMERCIALES, LA GARANTÍA QUEDARÁ ANULADA.**

## INSTRUCCIONES DE SEGURIDAD IMPORTANTES

Cuando se utilizan aparatos eléctricos, siempre deben seguirse precauciones básicas, incluidas las siguientes:

**LEA TODAS LAS INSTRUCCIONES ANTES DE UTILIZAR ESTE APARATO.**

### ADVERTENCIA: PARA DISMINUIR EL RIESGO DE INCENDIO, DESCARGA ELÉCTRICA O LESIONES:

- Arme por completo antes de hacer funcionar.
- Use la aspiradora y el cargador solamente con el voltaje especificado en la placa de datos ubicada en la parte inferior de la misma.
- No deje el electrodoméstico mientras esté enchufado. Desenchufe del tomacorriente cuando no esté en uso, y antes de limpiar o realizar un servicio.
- No utilice en el exterior o sobre superficies húmedas.
- Evite que se la utilice como un juguete. La unidad no tiene como fin el uso por parte de niños de 12 años o menos. Cuando se la utilice cerca de niños, será necesario hacerlo bajo una estricta supervisión. Para evitar lesiones o daños, mantenga a los niños alejados del producto y no permita que introduzcan los dedos ni objetos en ninguna de las aberturas del producto.
- Utilice solamente como se describe en este manual. Utilice únicamente los accesorios y productos recomendados por el fabricante.
- No utilice si el cable o el enchufe están dañados. Si el electrodoméstico no está funcionando como debería, se ha dejado caer, se ha dañado, se ha dejado a la intemperie, o ha caído dentro del agua, devuélvalo a un centro de servicio antes de continuar con el uso.
- No tire ni lo transporte tomándole del cordón eléctrico, no utilice el cordón eléctrico como asa, no cierre la puerta sobre el cordón eléctrico, ni tire del mismo alrededor de esquinas o rebordes agudos. No coloque el producto sobre el cordón. No pase el aparato sobre el cordón eléctrico. Mantenga el cordón eléctrico lejos de superficies calientes.
- No lo desconecte tirando del cordón eléctrico. Para desconectarlo, tome la clavija, no el cordón eléctrico.
- No tome la clavija o el aparato con las manos mojadas.
- No coloque objetos en las aperturas. No lo use con una apertura bloqueada; manténgalo libre de polvo, pelusa, pelo y cualquier cosa que pueda reducir el flujo de aire.
- Evite que el cabello, la ropa suelta, los dedos y cualquier otra parte del cuerpo entren en contacto con las aberturas y las piezas móviles de la unidad. El cepillo giratorio sigue girando mientras la unidad está en posición vertical.
- Apague todos los controles antes de desconectar.
- Tenga especial cuidado al limpiar escaleras. Para evitar lesiones personales o daños, y evitar que la aspiradora se caiga, siempre colóquela al pie de la escalera o sobre el suelo. No coloque la aspiradora sobre escaleras ni muebles, ya que puede ocasionar lesiones o daños.
- No use este aparato para aspirar líquidos inflamables ni combustibles (como gasolina) o restos de madera lijada, ni lo use en áreas donde dichos materiales pudieran estar presentes.

- No use este aparato para aspirar líquidos inflamables ni combustibles (como gasolina) o restos de madera lijada, ni lo use en áreas donde dichos materiales pudieran estar presentes.
  - Desconecte la aspiradora antes de conectar el Turbo Tool®.
  - No aspire objetos que estén quemándose o emitiendo humo, tales como cigarrillos, cerillos o cenizas calientes.
  - No utilice sin los filtros y/o el depósito de polvo en su lugar.
  - **ADVERTENCIA:** Este producto contiene sustancias químicas reconocidas por el estado de California como causantes de cáncer, defectos congénitos o daños reproductivos.
- LÁVESE LAS MANOS DESPUÉS DE USAR EL PRODUCTO.**



## **CAUTION: TO REDUCE THE RISK OF DAMAGE:**

- Evite levantar objetos duros y afilados con este producto, ya que podrían causar daño.
- Guarde el aparato de forma adecuada en la casa, en un lugar seco. No lo exponga a temperaturas de congelamiento.
- No use objetos filosos para limpiar la manguera, ya que pueden causar daños.
- Cuando el rodillo de cepillos está colocado, no deje que la aspiradora permanezca inmóvil durante mucho tiempo, ya que podría dañar el piso.
- El cepillo giratorio sigue girando mientras el producto está encendido y la manija se encuentra en posición vertical. Para evitar dañar alfombras y pisos, no incline la aspiradora sobre muebles, flecos de alfombras o escaleras alfombradas, ni la coloque sobre estos cuando use esta herramienta.

### **INSTRUCCIONES DE SEGURIDAD IMPORTANTES**



## **ADVERTENCIA:**

Para disminuir el riesgo de choque eléctrico, este aparato tiene un enchufe polarizado (una patilla es más ancha que la otra). Este enchufe puede usarse en una toma de corriente polarizada, de una sola manera. Si el enchufe no encaja completamente en la toma de corriente, colóquelo al revés. Si aun así no encaja, comuníquese con un electricista calificado para que instale la toma de corriente apropiada. No haga ningún tipo de modificación al enchufe.



## **AVISO**

**SU ASPIRADORA TIENE INCORPORADO UN PROTECTOR TÉRMICO PARA IMPEDIR EL SOBRECALENTAMIENTO. CUANDO SE ACTIVA EL PROTECTOR TÉRMICO, LA ASPIRADORA DEJA DE FUNCIONAR. Si esto sucede, proceda de la siguiente manera:**

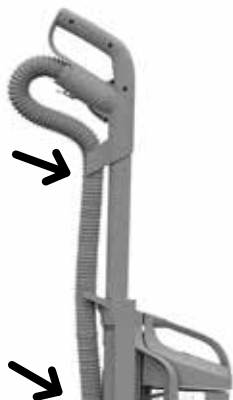
1. Apague la aspiradora y desenchúfela de la toma de corriente eléctrica.
2. Vacíe el contenedor para polvo.
3. Inspeccione la entrada de la boquilla, el conector de la manguera, la manguera, la entrada del contenedor para polvo, el filtro ciclónico, el filtro enjuagable y el filtro HEPA para asegurarse de que no hay obstrucciones. Si hay obstrucciones, elimínelas.
4. Cuando la aspiradora está desenchufada y se deja enfriar el motor durante 30 minutos, el protector térmico se desactiva, y se puede continuar pasando la aspiradora.

**Si el protector térmico sigue activándose después de efectuar los pasos anteriores, es posible que su aspiradora necesite mantenimiento.**

# INICIO DE USO RÁPIDO

---

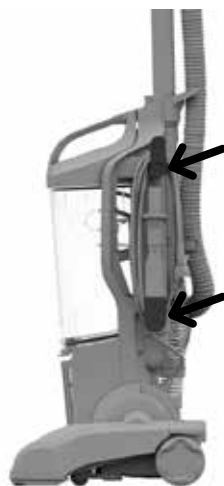
1



---

**INSERTE EL TUBO DE  
EXTENSIÓN PARA  
ASPIRAR EN LA PARTE  
SUPERIOR DE LA  
ASPIRADORA. ASEGURE  
LA MANGUERA AQUÍ  
Y AQUÍ.**

2



---

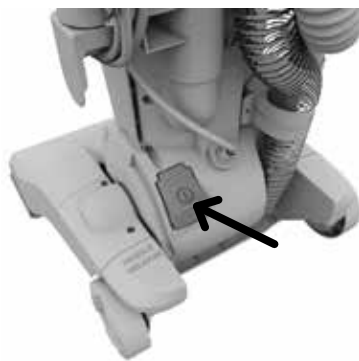
**¡ENROSQUE EL CABLE  
ALREDEDOR DE LOS  
GANCHOS PORTACABLES!**

3



**PRESIONE AQUÍ Y TIRE DEL MANGO HACIA ATRÁS PARA RECLINARLA.**

4



**ENCHUFE EL CABLE Y PRESIONE AQUÍ PARA ENCENDER LA UNIDAD.**

**¡SU ASPIRADORA  
FEATHERLITE® ESTÁ  
LISTA PARA  
ASPIRAR!**

**LET'S GO.™**



**¿NECESITA AYUDA?**

Visite el sitio [dirtdevil.com/support](http://dirtdevil.com/support) o contacte a nuestro Departamento de servicio al cliente llamando al **(800) 321-1134**.

8:00 a. m. - 7:00 p. m. hora del este, Lun. - Siga la conversación...

 [Facebook.com/DirtDevil](https://www.facebook.com/DirtDevil)

 [Twitter@DirtDevil](https://twitter.com/DirtDevil)

# HERRAMIENTAS

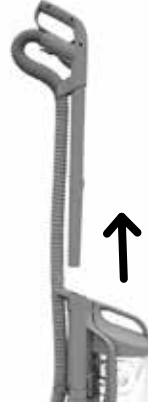
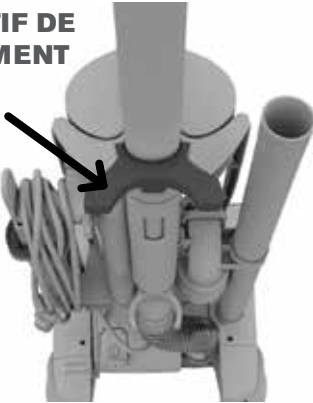
---

## TUBO DE EXTENSIÓN AJUSTABLE PARA ASPIRAR\*

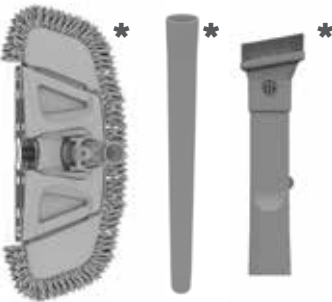
1. Presione el botón de liberación del tubo de extensión.

2. Tire del tubo hacia arriba y hacia afuera.

**DISPOSITIF DE DÉGAGEMENT DU TUBE**



3. Empuje las herramientas en el tubo de extensión para obtener una limpieza conveniente. Una vez que haya terminado, gire y tire para extraerlas.

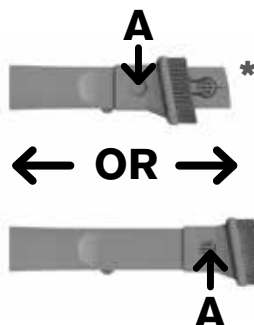


\*Los accesorios no vienen incluidos con todos los modelos.



# HERRAMIENTAS

## KIT DE HERRAMIENTAS COMPLETO INCORPORADO



**HERRAMIENTA COMBO 2 EN 1:** utilice la boquilla de limpieza de rincones para espacios reducidos, esquinas y a lo largo de los bordes de escaleras y zócalos.

Pruebe el cepillo quitapolvo en muebles, mesadas, lámparas, persianas y más. Presione el botón de bloqueo (A) hacia abajo y deslícelo para pasar de un modo a otro.



**HERRAMIENTA PARA ASPIRAR + DESEMPOLVAR PISOS CON ALMOHADILLA SWIPES™:** aspire y quite el polvo de la mayoría de los pisos duros.

## ⚠ PRECAUCIÓN

La aspiradora no debe utilizarse para limpiar mascotas.

## ⚠ ADVERTENCIA

Desenchufe la aspiradora antes de desconectar la manguera, el tubo de extensión o las herramientas.



**TUBO DE EXTENSIÓN:** conéctelo al tubo de aspirar para lograr un mayor alcance en techos y en pisos duros.



**TURBO TOOL®:** Para muebles tapizados, cortinas, colchones y escaleras.

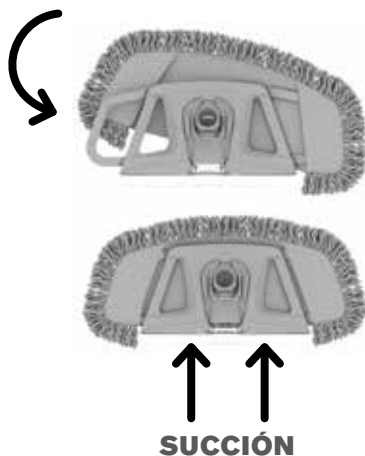
\*Los accesorios no vienen incluidos con todos los modelos.

# HERRAMIENTAS

## LIMPIEZA DE PISOS DUROS CON SWIPES™ \*

La herramienta Vac+Dust para aspirar y quitar el polvo de los pisos, junto con la almohadilla para polvo de microfibra lavable SWIPES™, recogen suciedad, polvo, residuos y el pelo de las mascotas. La aspiradora Featherlite® se encargará del resto.

1. Deslice un lado en un compartimiento y luego el otro.
2. La aspiradora recolecta suciedad y esiduos de los pisos duros, mientras que la almohadilla de microfibra SWIPES™ recolecta el resto.



\*Los accesorios no vienen incluidos con todos los modelos.

# HERRAMIENTAS

## LIMPIEZA DE OTRAS SUPERFICIES

1. Quite el tubo de extensión ajustable para aspirar para limpiar cómodamente superficies que no sean pisos.
2. Conecte el tubo de extensión y la herramienta 2 en 1 para lograr una mejor limpieza.



### PRECAUCIÓN

Extreme las precauciones cuando utilice la aspiradora para limpiar escaleras. Para evitar lesiones o daños físicos, y a fin de evitar que la aspiradora se caiga, siempre colóquela al pie de las escaleras o sobre el suelo. No coloque la aspiradora sobre las escaleras ni sobre un mueble, ya que pueden generarse lesiones o daños. Cuando utilice las herramientas accesorias, siempre asegúrese de que el mango se encuentre en posición vertical.

\*Los accesorios no vienen incluidos con todos los modelos.

# INSTRUCCIONES DE USO

## ⚠️ ADVERTENCIA

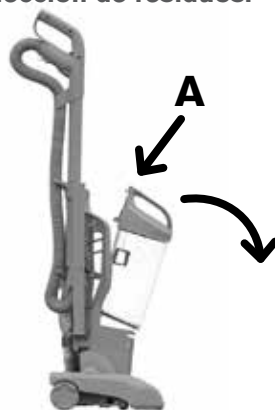
Para disminuir el riesgo de lesiones físicas, desenchufe la unidad antes de limpiarla o realizarle un servicio de mantenimiento. No utilice la unidad si esta no tiene colocados la copa de recolección de residuos o los filtros.

## VACIAMIENTO DE LA COPA DE RECOLECCIÓN DE RESIDUOS

1. Tire la basura de la copa cuando esté llena.

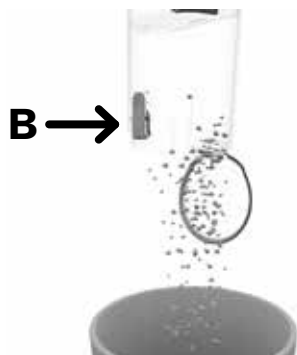


2. Presione el botón de liberación (A) y tire hacia afuera de la copa de recolección de residuos.



Este sería un buen momento para verificar el estado de su filtro. ¿Se encuentra sucio? Consulte la página 13 para ver los pasos de limpieza.

3. Ahora, arroje los residuos presionando el botón inferior. Límpiela para eliminar el polvo.



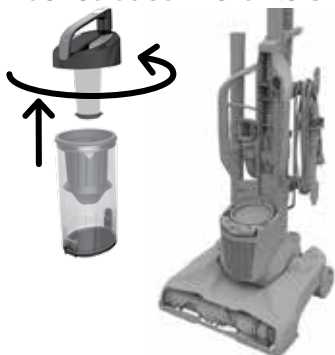
4. Coloque primero el respaldo de la copa en la base. Empuje la parte superior de la copa contra el panel trasero. Escuchará un chasquido cuando se sujete en su lugar.



# INSTRUCCIONES DE USO

## LIMPIEZA DEL FILTRO ENJUAGABLE

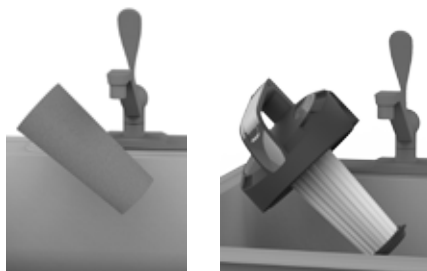
1. Extraiga la copa de recolección de residuos. ¿Puede ver el filtro debajo de la copa de recolección de residuos? Levántelo.



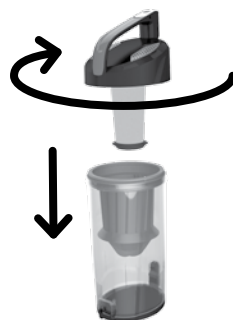
2. Vuelva a GIRAR el filtro en el mango, vuelva a colocar el mango en la copa de recolección de residuos y gírelo para cerrarlo. Vuelva a colocar la copa de recolección de residuos en la aspiradora.



3. Todas las piezas son enjuagables. Deje secar durante 24 horas antes de usar.



4. Vuelva a GIRAR el filtro en el mango, vuelva a colocar el mango en la copa de recolección de residuos y gírelo para cerrarlo. Vuelva a colocar la copa de recolección de residuos en la aspiradora.



# INSTRUCCIONES DE USO

## **ADVERTENCIA**

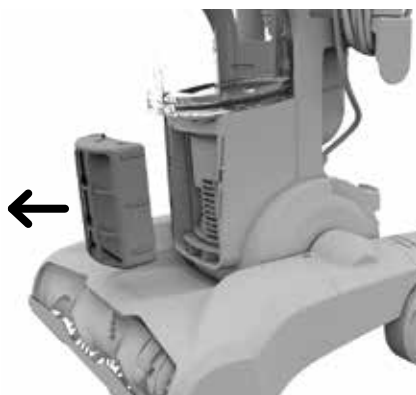
Para disminuir el riesgo de lesiones físicas, desenchufe la unidad antes de limpiarla o realizarle un servicio de mantenimiento. No utilice la aspiradora si no tiene colocados la copa de recolección de residuos o los filtros.

## LIMPIEZA DE LOS FILTROS DE ESCAPE

1. Empuje la lengüeta en la parte frontal de la cubierta para girarla hacia afuera.



2. Extraiga el filtro, enjuague la suciedad de ambos lados, y déjelo secar al aire libre durante 24 horas antes de volver a colocarlo, o hasta que esté seco.



3. Vuelva a colocar el filtro seco. Ahora, alinee la cubierta del filtro primero con las lengüetas de abajo y luego vuelva a sujetarlo a presión en su lugar.



Para reemplazar el filtro F111, visite el sitio [dirtdevil.com](http://dirtdevil.com) o llámenos al (800) 321-1134.

# INSTRUCCIONES DE USO

## **ADVERTENCIA**

Para disminuir el riesgo de lesiones físicas, desenchufe la unidad antes de limpiarla o realizarle un servicio de mantenimiento. No utilice la aspiradora si no tiene colocados la copa de recolección de residuos o los filtros.

## LIMPIEZA DE LA UNIDAD CICLÓNICO

1. Dé vuelta su aspiradora. Presione las lengüetas de liberación del cepillo giratorio donde estén marcadas con un círculo. Quite la cubierta del cepillo giratorio para acceder al cepillo giratorio.
2. Utilice la herramienta quitapolvo para limpiar unidad ciclónico.



# INSTRUCCIONES DE USO

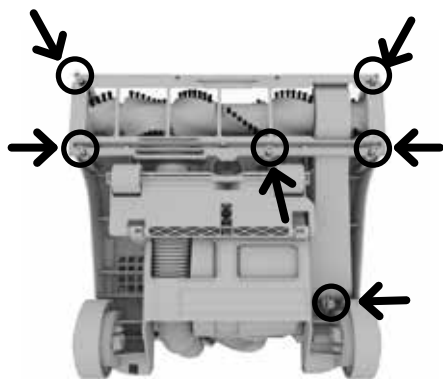


## PRECAUCIÓN

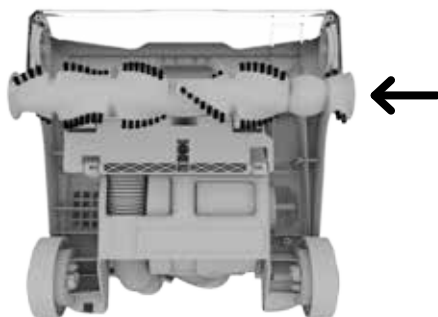
Para reducir el riesgo de lesión derivado de las piezas móviles, desconecte el aparato antes de realizarle el servicio de mantenimiento.

### LIMPIEZA DEL CEPILLO GIRATORIO

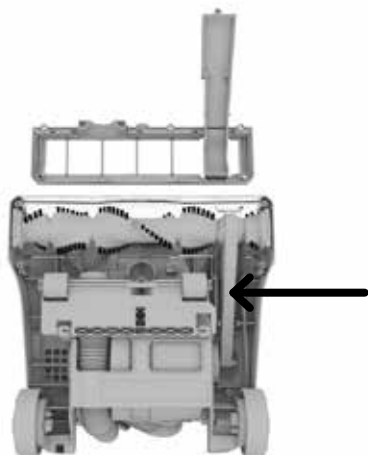
1. Dé vuelta su aspiradora. Utilice un destornillador Phillips para extraer los seis tornillos. Extraiga la placa base.



2. Coloque el elevador giratorio en posición ascendente.



3. Limpie el cepillo giratorio y luego.





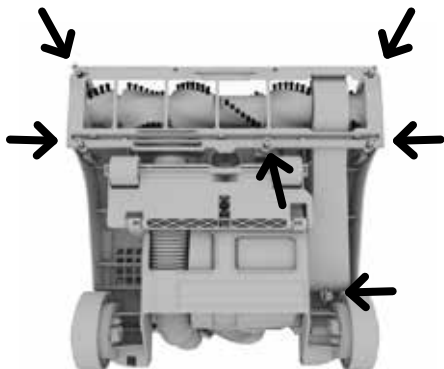
# INSTRUCCIONES DE USO

## ⚠ PRECAUCIÓN

Para reducir el riesgo de lesión derivado de las piezas móviles, desconecte el aparato antes de realizarle el servicio de mantenimiento.

## REPLACE THE BELT

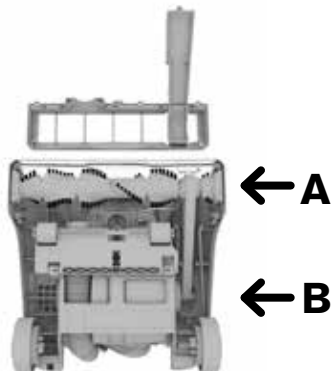
1. Dé vuelta su aspiradora. Utilice un destornillador Phillips para extraer los seis tornillos. Extraiga la placa base.



2. Repita los pasos 1 y 2. Luego, extraiga la correa vieja. Deslice una nueva correa con las letras hacia afuera.

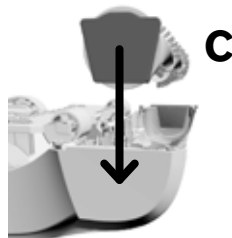


3. Deslice la correa alrededor del cepillo giratorio en el área sin cerdas (A) y la clavija de metal (B). Cada extremo del cepillo giratorio encajará en los bolsillos a cada lado de la boquilla (C). Vuelva a colocar la placa y atorníllelos.



### LUBRICACIÓN:

El motor y el rodillo de cepillos están equipados con rodamientos que contienen suficiente lubricación para su vida útil. Agregar lubricante podría provocar daños. No agregue lubricante al motor ni al rodillo de cepillos.



Para reemplazar Correa estilo 5 visite el sitio dirtdevil.com o llámenos al (800) 321-1134.



NOTA: Todo otro servicio de mantenimiento deberá ser realizado por personal técnico autorizado. Si el aparato no funciona como debe, si se ha caído o dañado, o si se lo ha dejado a la intemperie o ha sido sumergido en agua, llévelo a un Centro Técnico antes de continuar usándolo.

# RESOLUCIÓN DE PROBLEMAS

Todo otro servicio de mantenimiento deberá ser realizado por personal técnico autorizado. Si el aparato no funciona como debe, si se ha caído o dañado, o si se lo ha dejado a la intemperie o ha sido sumergido en agua, llévelo a un Centro Técnico antes de continuar usándolo.



## ADVERTENCIA

Para disminuir el riesgo de lesiones físicas, desenchufe la unidad antes de limpiarla o realizarle un servicio de mantenimiento.

PROBLEMA	CAUSA POSIBLE	SOLUCIÓN POSIBLE
<b>La aspiradora no funciona.</b>	1. El cable de alimentación no está enchufado con firmeza en el tomacorriente.	1. Enchúfelo firmemente.
	2. Fusible quemado o disyuntor activado.	2. Revise el fusible o el disyuntor del hogar.
	3. Verifique que no haya voltaje en el tomacorriente.	3. Reemplace el fusible/reinicie el disyuntor del hogar.
	4. Protector térmico activado.	4. Desenchufe la aspiradora y déjela enfriar durante 30 minutos. (Esto hará que el protector térmico se reinicie.)
<b>Sale polvo de la aspiradora</b>	1. Copa de recolección de residuos llena.	1. Vacíe la copa de recolección de residuos.
	2. Copa de recolección de residuos colocada incorrectamente.	2. Revise la sección de Reemplazo y extracción de la copa de recolección de residuos.
	3. La manguera no está colocada correctamente.	3. Revise la sección de colocación de la manguera.
	4. Los elementos enjuagables o el filtro fabricados con materiales HEPA no están completamente instalados.	4. Revise la sección Extracción y limpieza del filtro.
<b>Detección de olor a humo/ quemado.</b>	1. Correa rota o estirada.	1. Reemplace la correa del cepillo giratorio.
	2. El cepillo giratorio está obstruido.	2. Limpie/Quite los residuos del cepillo giratorio.
<b>Las herramientas de aspiración no aspiran.</b>	1. La manguera está tapada.	1. Extraiga la manguera y las herramientas. Elimine la obstrucción.
	2. La copa de recolección de residuos está llena.	2. Vacíe la copa de recolección de residuos.
	3. Uno o ambos filtros están obstruidos.	3. Extraiga ambos filtros y límpielos.
	4. Libere la manija/tubo de extensión para accionar la válvula interna.	4. Tire de la manija hacia arriba y hacia afuera de la unidad.
	5. La aspiradora no aspira los residuos.	5. Es posible que el cepillo giratorio esté desactivado o que la correa esté rota.



**NOTA:** Todo otro servicio de mantenimiento deberá ser realizado por personal técnico autorizado. Si el aparato no funciona como debe, si se ha caído o dañado, o si se lo ha dejado a la intemperie o ha sido sumergido en agua, llévelo a un Centro Técnico antes de continuar usándolo.

# GARANTÍA



## GARANTÍA LIMITADA

### COBERTURA DE LA GARANTÍA

En casos de uso y mantenimiento domésticos en condiciones normales, y conforme al Manual del propietario, su producto Dirt Devil® tiene garantía contra fallas de fábrica en los materiales y la mano de obra. Durante el Plazo de la garantía, la empresa le proporcionará la mano de obra y los repuestos, sin ningún costo, a los fines de reparar cualquier falla del producto adquirido en los Estados Unidos, de los EE. UU., y Canadá.

### CÓMO REALIZAR UN RECLAMO POR LA GARANTÍA

Si este producto no presentara las características garantizadas, llévelo o envíelo a un Distribuidor técnico oficial autorizado de Dirt Devil®, junto con el comprobante de compra. Para ser redirigido en forma automática a un Centro de servicios autorizado en los EE. UU., llame al: 1-800-321-1134 O visite el sitio en línea de Dirt Devil® en [www.DirtDevil.com](http://www.DirtDevil.com). Para obtener más ayuda o información sobre esta Garantía o la disponibilidad de los Centros de servicios contemplados en la garantía, llame al Centro de respuesta al consumidor de Dirt Devil® al 1-800-321-1134, de lunes a viernes de 8 a. m. a 7 p. m., hora del este.

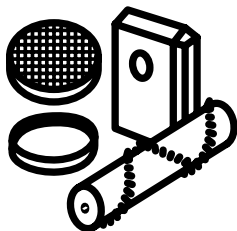
### NO CUBIERTO POR LA PRESENTE GARANTÍA

La presente Garantía no cubre los siguientes supuestos: el uso del producto en operaciones comerciales (tales como servicios de limpieza y de alquiler de equipamiento), el cepillo giratorio, la correa, las bolsas y los filtros, el mantenimiento incorrecto del producto, los daños derivados de su mal uso, casos fortuitos o hechos de la naturaleza, vandalismo u otros actos fuera del control de Royal Appliance Mfg. Co. (en adelante, "Royal" y "Nosotros"). La garantía tampoco cubre los actos u omisiones del propietario, su uso fuera del país donde se compró el producto originalmente y las reventas del producto que realice el propietario original. Esta garantía no cubre la recolección, la entrega, el transporte ni el servicio a domicilio del producto.

Esta garantía no se aplica a los productos adquiridos fuera de los Estados Unidos, incluidos sus territorios y posesiones, fuera de Tiendas de intercambios militares de los EE. UU. y fuera de Canadá. Esta garantía no cubre los productos adquiridos a un tercero no autorizado como minorista, concesionario o distribuidor de los productos Royal.

### OTROS TÉRMINOS IMPORTANTES

Esta garantía no es transferible y no podrá ser cedida. Esta garantía se registrará e interpretará de conformidad con las leyes del Estado de Ohio. El Plazo de la garantía no se prolongará por ningún reemplazo o reparación realizados conforme a la garantía. **ESTA GARANTÍA REPRESENTA LA GARANTÍA Y EL RECURSO LEGAL EXCLUSIVOS, PROPORCIONADOS POR ROYAL. TODAS LAS DEMÁS GARANTÍAS, EXPRESAS O IMPLÍCITAS, SERÁN RECHAZADAS, INCLUIDAS LAS GARANTÍAS DE APTITUD PARA LA VENTA O ADECUACIÓN A FINES ESPECÍFICOS. EN NINGÚN CASO ROYAL SERÁ RESPONSABLE POR LOS DAÑOS ESPECIALES, INDIRECTOS, INCIDENTALES O MEDIATOS DE NINGUNA CLASE, QUE SUFRA EL PROPIETARIO O CUALQUIER PARTE QUE RECLAME POR INTERMEDIO DE ESTE, YA SEA CON BASE EN UN CONTRATO, POR NEGLIGENCIA, HECHO ILÍCITO CIVIL O RESPONSABILIDAD OBJETIVA, NI POR NINGUNA OTRA CAUSA.** En algunos estados, la exclusión de los daños mediatos no está permitida, de modo que la exclusión precedente puede no serle aplicable. Esta garantía le otorga derechos específicos. También puede tener otros derechos, que varían según el estado.



## Encuentre piezas de repuesto **GENUINAS** en el sitio [www.dirtdevil.com](http://www.dirtdevil.com).

En este producto se utilizan las siguientes piezas:

CORREA ESTILO	_____	<b>5</b>
FILTRO PREMOTOR	_____	<b>F112</b>
FILTRO DE ESCAPE	_____	<b>F111</b>

---



Llame a nuestro Departamento de servicio al cliente al **(800) 321-1134**  
8:00 a. m. - 7:00 p. m. hora del este

[www.dirtdevil.com](http://www.dirtdevil.com)

### NUESTRAS ASPIRADORAS HABLAN POR SÍ MISMAS

Siga la conversación...



[Facebookcom/DirtDevil](https://www.facebook.com/DirtDevil)



[Twitter@DirtDevil](https://twitter.com/DirtDevil)